

**Butterfly Valve with**

- Disc 304 stainless steel (CF-8, 1.4308)



5-year warranty



Picture may differ from product

**Type overview**

Type	DN	Cv	Body Pressure Rating
F7150L	6" [150]	2055	ANSI Class Consistent with 125, 232 psi CWP

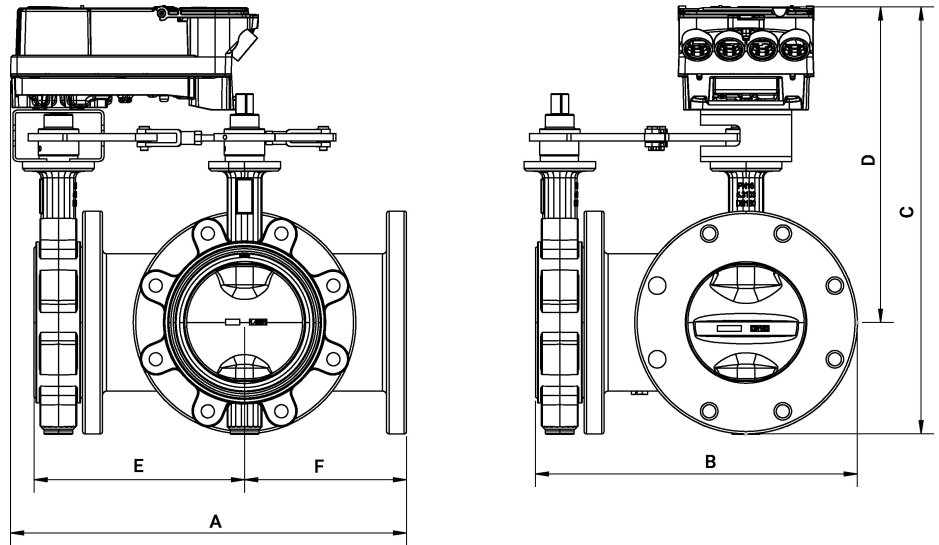
**Technical data**

<b>Functional data</b>	Valve size [mm]	6" [150]	
	Fluid	Chilled and hot water, water with glycol up to max. 60% vol.	
	Fluid temperature	-22...250°F [-30...120°C]	
	Close-off pressure	$\Delta p_s$ 200 psi	
	Flow characteristic	equal percentage	
	Pipe connection	Flange for use with ASME/ANSI class 125/150	
	Servicing	maintenance-free	
	Flow Pattern	3-way	
	Controllable flow range	90° rotation	
	Maximum Velocity	12 FPS	
	Lug threads	3/4-10 UNC	
	<b>Materials</b>	Valve body	Ductile cast iron GGG40
		Stem	Stainless steel AISI 420 (1.4021)
Stem seal		EPDM O-ring	
Stem bearing		Bronze, steel, PTFE	
Seat		EPDM	
Disc		304 stainless steel (CF-8, 1.4308)	

**Dimensions**

Type	DN	Weight
F7150L	6" [150]	149.8 lb [67.9 kg]

Dimensions



A	B	C	D	E	F	Number of Bolt Holes
19.5" [495]	15.9" [403]	21.0" [533]	15.5" [394]	10.4" [263]	8.0" [203]	8

Further documentation

- The complete product range for water applications
- Data sheets for actuators
- Installation instructions for actuators and/or butterfly valves
- General notes for project planning

**Rotary actuator for butterfly valves**

- Nominal voltage AC 24...240 V / DC 24...125 V
- Control On/Off, Floating point
- With two integrated auxiliary switches



5-year warranty



Picture may differ from product

**Technical data**

<b>Electrical data</b>	Nominal voltage	AC 24...240 V / DC 24...125 V	
	Nominal voltage frequency	50/60 Hz	
	Nominal voltage range	AC 19.2...264 V / DC 19.2...137.5 V	
	Power consumption in operation	20 W	
	Power consumption in rest position	7 W	
	Transformer sizing	with 24 V 20 VA / with 240 V 55 VA	
	Auxiliary switch	2x SPDT, 1x 10° / 1x 0...90° (default setting 85°)	
	Switching capacity auxiliary switch	1 mA...3 A (0.5 A inductive), DC 5 V...AC 250 V	
	Connection protective earth	20...14 AWG, only copper wires	
	Electrical Connection	Terminal blocks, (PE) Ground-Screw	
	Overload Protection	electronic throughout 0...90° rotation	
<b>Functional data</b>	Position accuracy	±5%	
	Manual override	hand lever	
	Running Time (Motor)	35 s / 90°	
	Running time motor variable	20...120 s	
	Sound power level, motor	65 dB(A)	
	Position indication	Mechanical, integrated	
	<b>Safety data</b>	Power source UL	Class 2 Supply
Degree of protection IEC/EN		IP66/67	
Degree of protection NEMA/UL		NEMA 4X	
Housing		UL Enclosure Type 4X	
EMC		CE according to 2014/30/EU	
Low voltage directive		CE according to 2014/35/EU	
Certification IEC/EN		IEC/EN 60730-1 and IEC/EN 60730-2-14	
UL Approval		cULus according to UL60730-1A, UL60730-2-14 and CAN/CSA E60730-1 The UL marking on the actuator depends on the production site, the device is UL-compliant in any case	
Overvoltage category		III	
Rated impulse voltage supply		4 kV	
Ambient humidity		Max. 100% RH	
Ambient temperature		-22...122°F [-30...50°C]	
Storage temperature		-40...176°F [-40...80°C]	
Software Class		A	
Servicing		maintenance-free	
<b>Weight</b>		Weight	8.1 lb [3.7 kg]

Technical data

Safety notes



- This device has been designed for use in stationary heating, ventilation and air-conditioning systems and must not be used outside the specified field of application, especially in aircraft or in any other airborne means of transport.
- Caution: Line voltage!
- The device has a protective earthing. Incorrect connection of the protective earth can lead to hazards due to electrical shock.
- Only authorized specialists may carry out installation. All applicable legal or institutional installation regulations must be complied with during installation.
- Apart from the wiring compartment, the device may be opened only at the manufacturer's site. It does not contain any parts that can be replaced or repaired by the user.
- The device contains electrical and electronic components and must not be disposed of as household refuse. All locally valid regulations and requirements must be observed.
- The two switches integrated in the actuator are to be operated either on line voltage or on safety extra-low voltage. The combination line voltage/safety extra-low voltage is not permitted.
- For maintenance work, the correct valve position must be set via the control signal. Additionally, the actuator must be disconnected from the power source. The hand crank and manual override shall not be used as a safety measure to maintain the valve position.

Product features

<b>Fields of application</b>	The actuator is particularly suitable for utilisation in outdoor applications and is protected against the following weather conditions: - UV radiation - Dirt / Dust - Rain / Snow - Air humidity
<b>Internal heating</b>	An internal heater prevents condensation buildup. Thanks to the integrated temperature and humidity sensor, the built-in heater automatically switches on/off.
<b>Configurable Device</b>	The factory settings cover the most common applications. Belimo Assistant 2 is required for configuration via Near Field Communication (NFC) and simplifies commissioning. Moreover, Belimo Assistant 2 provides a variety of diagnostic options. The ZTH EU service tool provides a selection of both diagnostic and setting options.
<b>Simple direct mounting</b>	Simple direct mounting on the butterfly valve. The mounting orientation in relation to the butterfly valve can be selected in 90° (angle) increments.
<b>Manual override</b>	The valve can be manually operated using a hand crank. Unlocking is carried out manually by removing the hand crank.
<b>High functional reliability</b>	The actuator is overload protected, requires no limit switches and automatically stops when the end stop is reached.
<b>Innovative motorization</b>	The actuator uses the powerful Belimo M600 microchip in combination with the INFORM method. It provides the full starting torque from a standstill with high precision (sensorless INFORM-Drive by Prof. Schrödl).
<b>Flexible signaling</b>	The actuator has one auxiliary switch with a fixed setting (10°) and one adjustable auxiliary switch (0...90°).

Accessories

Tools	Description	Type
	Service tool for wired and wireless setup, on-site operation and troubleshooting.	Belimo Assistant 2

Accessories

Description	Type
Universal converter, with ZIP-USB function and Bluetooth to NFC conversion, for wired and wireless connection of the device to PC/tablet/smartphone	Belimo One Tool
Connecting cable 16 ft [5 m], A: RJ11 6/4 LINK.10, B: 6-pin for connection to service socket	ZK1-GEN

Mechanical accessories

Description	Type
Hand crank for JR actuator	ZJR20

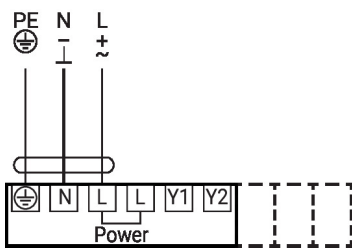
Electrical installation



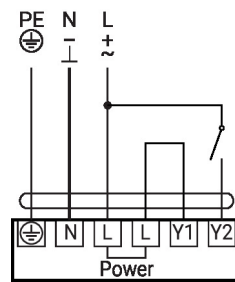
Caution: Line voltage!

Parallel connection of other actuators possible. Observe the performance data.

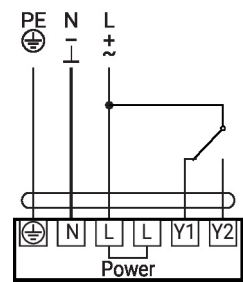
AC 24...240 V / DC 24...125 V



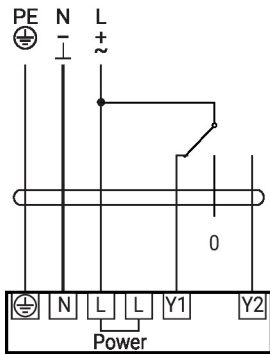
Control on/off



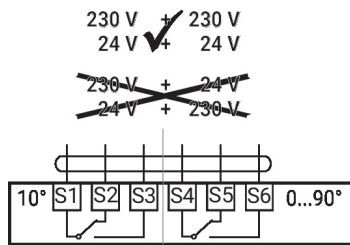
Control on/off



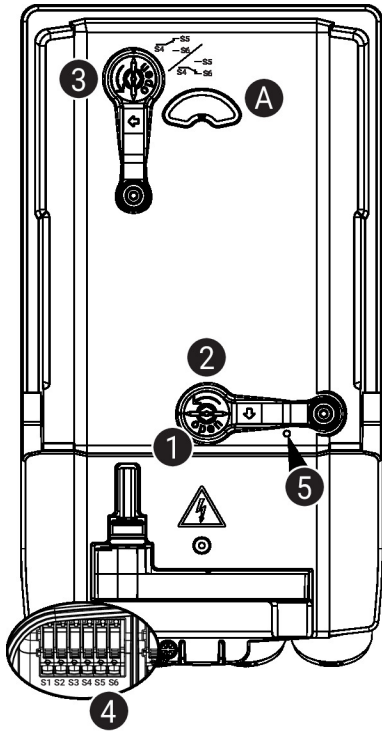
Control floating point



Auxiliary switch



Operating controls and indicators



- 5 LED display green
  - Off: No power supply or malfunction
  - On: In operation

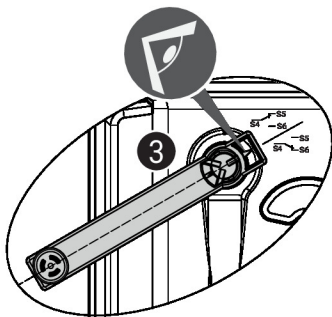
Auxiliary switch settings



**Note:** Perform settings on the actuator only in deenergised state.

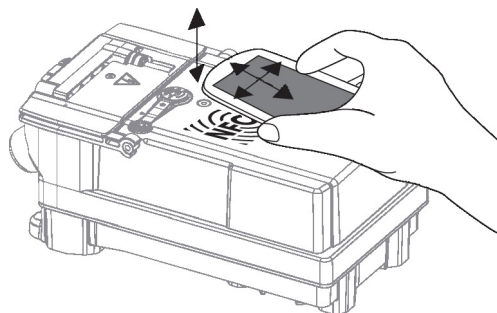
For the auxiliary switch position settings, carry out points 1 to 4 successively.

- 1 **Gear train disengagement**  
Opening the manual override cover and adjusting the hand crank. Manual override is possible.
- 2 **Manual override**  
Turn the hand crank until the desired switching position A is indicated and then remove the hand crank.
- 3 **Auxiliary switch**  
For the auxiliary switch position settings, carry out points 1 to 4 successively. Opening the auxiliary switch adjustment cover and adjusting the hand crank. Turn the hand crank until the arrow points to the line.
- 4 **Terminals**  
Connect continuity tester to S4 + S5 or to S4 + S6. If the auxiliary switch should switch in the opposite direction, rotate the hand crank by 180°.



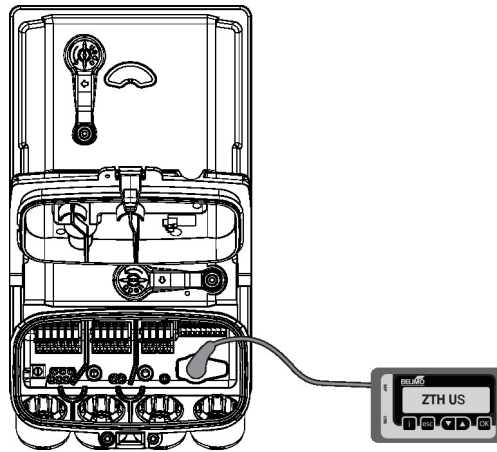
Service

- Wireless connection** Belimo devices marked with the NFC logo can be operated with the Belimo Assistant 2. Requirement:
  - NFC- or Bluetooth-capable smartphone
  - Belimo Assistant 2 (Google Play and Apple AppStore)
 Align NFC-capable smartphone on the device so that both NFC antennas are superposed. Connect Bluetooth-enabled smartphone via the Bluetooth-to-NFC converter ZIP-BT-NFC to the device. Technical data and operating instructions are shown in the ZIP-BT-NFC data sheet.

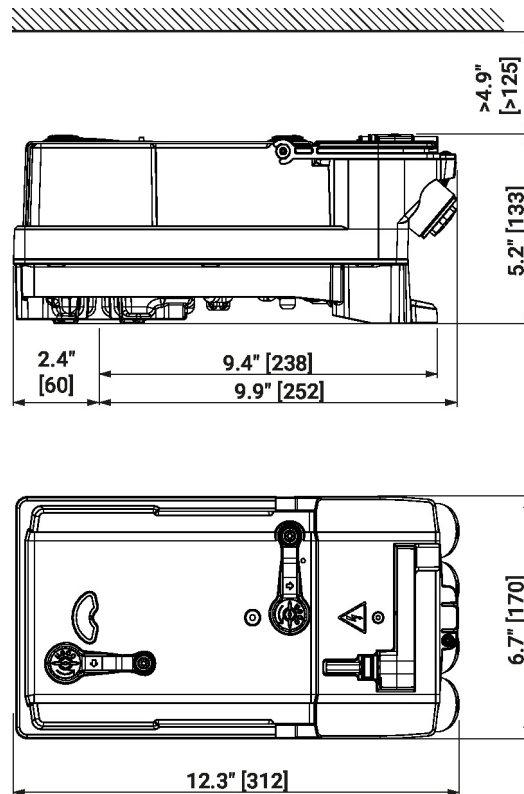


Service

**Wired connection** The Belimo One Tool can configure the actuator via the service socket.



Dimensions



Further documentation

- The complete product range for water applications
- Data sheets for butterfly valves
- Installation instructions for actuators and/or butterfly valves
- General notes for project planning
- Quick Guide – Belimo Assistant 2