

ANSI-Flanged Globe Valves

- chilled or hot water, up to 60% glycol
- ANSI Class 250, up to 280 psi below 350°F
- 250
- Cast iron - ASTM A126 Class B



5-year warranty

Picture may differ from product

Type overview

Type	DN
G7100DS-250	4" [100]

Technical data

Functional data	Valve size [mm]	4" [100]
	Fluid	chilled or hot water, up to 60% glycol
	Fluid Temp Range (water)	32...300°F [0...149°C]
	Body Pressure Rating	ANSI Class 250, up to 280 psi below 350°F
	Flow characteristic	linear
	Leakage rate	ANSI Class III
	Pipe connection	Flange for use with ASME/ANSI class 250
	Servicing	repack/rebuild kits available
	Rangeability Sv	50:1
	Flow Pattern	3-way Diverting
	Controllable flow range	stem up - open AB - B
	Cv	154
	Materials	Valve body
Valve plug		Stainless steel
Stem		316 stainless steel
Stem seal		NLP EPDM (no lip packing)
Seat		Stainless steel AISI 316
Suitable actuators	Non Fail-Safe	EVB(X)
	Spring	AF
	Electronic fail-safe	AVKB(X)

Safety notes

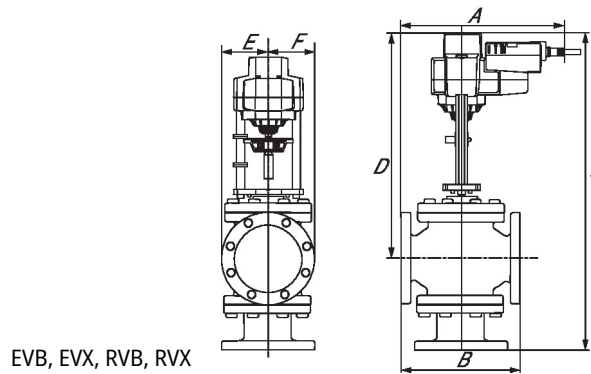

- **WARNING:** This product can expose you to chemicals including lead, which is known to the State of California to cause cancer and reproductive harm. For more information go to www.p65warnings.ca.gov
- The valve has been designed for use in stationary heating, ventilation and air-conditioning systems and must not be used outside the specified field of application, especially in aircraft or in any other airborne means of transport.
- Only authorized specialists may carry out installation. All applicable legal or institutional installation regulations must be complied with during installation.
- The valve does not contain any parts that can be replaced or repaired by the user.
- When determining the flow rate characteristic of controlled devices, the recognised directives must be observed.

Accessories

Mechanical accessories	Description	Type
	Repack Kit for Belimo G6, G7 series globe valves, Stainless steel trim	ZG-GV04

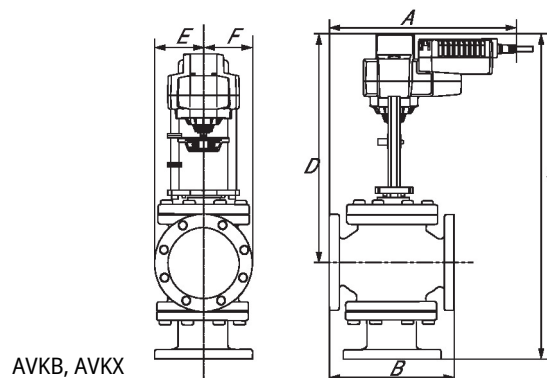
Dimensions

Type	DN	Weight
G7100DS-250	4" [100]	163.65 lb [74.39 kg]



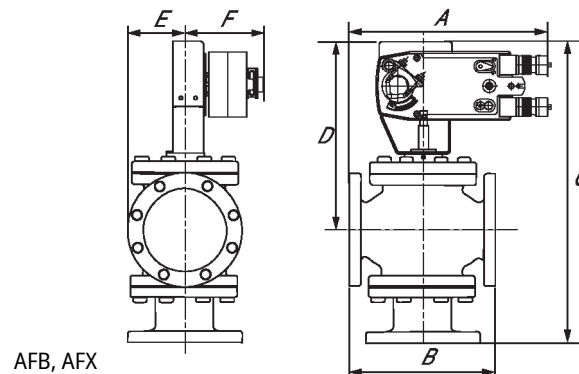
EVB, EVX, RVB, RVX

A	B	C	D	E	F	Number of Bolt Holes
14.0" [356]	13.6" [346]	29.3" [743]	19.0" [483]	5.0" [127]	5.0" [127]	8



AVKB, AVKX

A	B	C	D	E	F	Number of Bolt Holes
14.0" [356]	13.6" [346]	33.7" [857]	19.8" [502]	5.0" [127]	5.0" [127]	8



AFB, AFX

A	B	C	D	E	F	Number of Bolt Holes
14.0" [356]	13.6" [346]	28.0" [711]	17.8" [453]	5.0" [127]	5.3" [135]	8

MFT/programmable, Spring return, 24 V



Picture may differ from product



5-year warranty


Technical data

Electrical data	Nominal voltage	AC/DC 24 V
	Nominal voltage frequency	50/60 Hz
	Nominal voltage range	AC 19.2...28.8 V / DC 21.6...28.8 V
	Power consumption in operation	7.5 W
	Power consumption in rest position	3 W
	Transformer sizing	10 VA
	Electrical Connection	18 AWG appliance cable, 1 m, 3 m or 5 m, with 1/2" NPT conduit connector, degree of protection NEMA 2 / IP54
	Overload Protection	electronic throughout 0...95° rotation
	Functional data	Operating range Y
Operating range Y note		Honeywell Electronic Series 90, input 0...135 Ω
Position feedback U		2...10 V
Position feedback U note		Max. 0.5 mA
Position feedback U variable		VDC variable
Direction of motion motor		selectable with switch 0/1
Manual override		5 mm hex crank (3/16" Allen), supplied
Angle of rotation		95°
Angle of rotation note		adjustable with mechanical end stop, 35...95°
Running Time (Motor)		150 s / 90°
Running time motor variable		70...220 s
Running time fail-safe		<20 s
Sound power level, motor		40 dB(A)
Sound power level, fail-safe		62 dB(A)
Override control		MIN (minimum position) = 0% MID (intermediate position) = 50% MAX (maximum position) = 100%
Position indication	Mechanical	
Safety data	Power source UL	Class 2 Supply
	Degree of protection IEC/EN	IP54
	Degree of protection NEMA/UL	NEMA 2
	Housing	UL Enclosure Type 2
	Agency Listing	cULus acc. to UL60730-1A/-2-14, CAN/CSA E60730-1:02, CE acc. to 2014/30/EU
	Quality Standard	ISO 9001

Technical data

Safety data	UL 2043 Compliant	Suitable for use in air plenums per Section 300.22(C) of the NEC and Section 602 of the IMC
	Ambient humidity	Max. 95% RH, non-condensing
	Ambient temperature	-22...122°F [-30...50°C]
	Storage temperature	-40...176°F [-40...80°C]
	Servicing	maintenance-free
Weight	Weight	4.6 lb [2.1 kg]
Materials	Housing material	Galvanized steel and plastic housing
Footnotes	*Variable when configured with MFT options.	

Accessories

Electrical accessories	Description	Type
	Service tool, with ZIP-USB function, for configurable and communicative Belimo actuators, VAV controller and HVAC performance devices	ZTH US