

ANSI-Flanged Globe Valves

- chilled or hot water, up to 60% glycol
- ANSI Class 250, up to 280 psi below 350°F
- 250
- Cast iron - ASTM A126 Class B



Picture may differ from product



5-year warranty

Type overview

Type	DN
G780DS-250	3" [80]

Technical data

Functional data	Valve size [mm]	3" [80]
	Fluid	chilled or hot water, up to 60% glycol
	Fluid Temp Range (water)	32...300°F [0...149°C]
	Body Pressure Rating	ANSI Class 250, up to 280 psi below 350°F
	Flow characteristic	linear
	Leakage rate	ANSI Class III
	Pipe connection	Flange for use with ASME/ANSI class 250
	Servicing	repack/rebuild kits available
	Rangeability Sv	50:1
	Flow Pattern	3-way Diverting
	Controllable flow range	stem up - open AB - B
	Cv	85
	Materials	Valve body
Valve plug		Stainless steel
Stem		316 stainless steel
Stem seal		NLP EPDM (no lip packing)
Seat		Stainless steel AISI 316
Suitable actuators	Non Fail-Safe	EVB(X)
	Spring	AF
	Electronic fail-safe	AVKB(X)

Safety notes



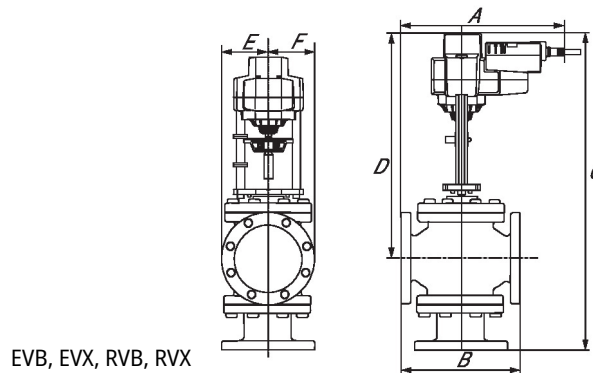
- **WARNING:** This product can expose you to chemicals including lead, which is known to the State of California to cause cancer and reproductive harm. For more information go to www.p65warnings.ca.gov
- The valve has been designed for use in stationary heating, ventilation and air-conditioning systems and must not be used outside the specified field of application, especially in aircraft or in any other airborne means of transport.
- Only authorized specialists may carry out installation. All applicable legal or institutional installation regulations must be complied with during installation.
- The valve does not contain any parts that can be replaced or repaired by the user.
- When determining the flow rate characteristic of controlled devices, the recognised directives must be observed.

Accessories

Mechanical accessories	Description	Type
	Repack Kit for Belimo G6, G7 series globe valves, Stainless steel trim	ZG-GV04

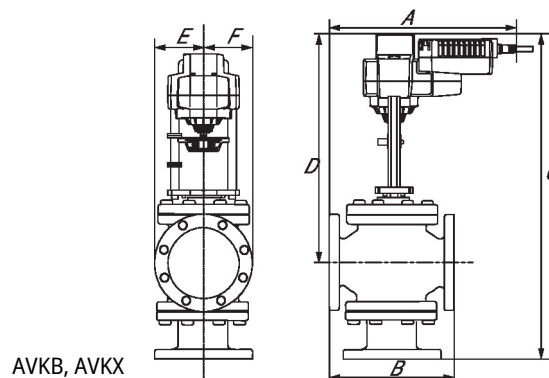
Dimensions

Type	DN	Weight
G780DS-250	3" [80]	93.80 lb [42.63 kg]



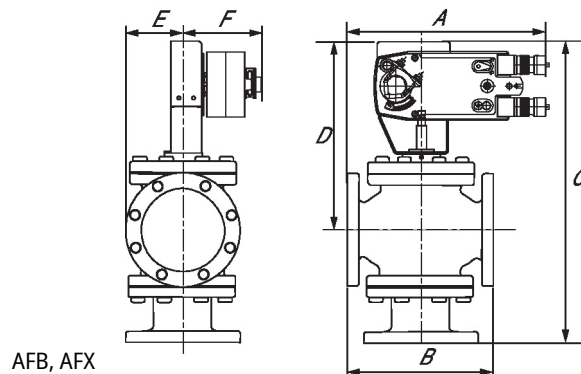
EVB, EVX, RVB, RVX

A	B	C	D	E	F	Number of Bolt Holes
12.6" [320]	10.7" [273]	27.3" [693]	19.0" [483]	4.1" [105]	4.1" [105]	8



AVKB, AVKX

A	B	C	D	E	F	Number of Bolt Holes
12.6" [320]	10.7" [273]	27.3" [693]	19.0" [483]	4.1" [105]	4.1" [105]	8



AFB, AFX

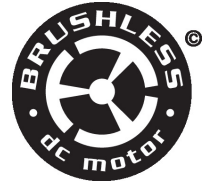
A	B	C	D	E	F	Number of Bolt Holes
12.6" [320]	10.7" [273]	25.6" [650]	17.2" [438]	4.1" [105]	5.3" [135]	8



Picture may differ from product



5-year warranty



Technical data

Electrical data	Nominal voltage	AC 24...240 V / DC 24...125 V
	Nominal voltage frequency	50/60 Hz
	Nominal voltage range	AC 19.2...264 V / DC 21.6...137.5 V
	Power consumption in operation	7 W
	Power consumption in rest position	3.5 W
	Transformer sizing	18 VA
	Electrical Connection	18 AWG appliance cable, 1 m, with 1/2" NPT conduit connector
	Overload Protection	electronic throughout 0...95° rotation
Functional data	Direction of motion motor	selectable by ccw/cw mounting
	Direction of motion fail-safe	reversible with cw/ccw mounting
	Manual override	5 mm hex crank (3/16" Allen), supplied
	Angle of rotation	95°
	Running Time (Motor)	75 s / 90°
	Running time fail-safe	<20 s
	Sound power level, motor	50 dB(A)
	Sound power level, fail-safe	62 dB(A)
Position indication	Mechanical	
Safety data	Power source UL	Class 2 Supply
	Degree of protection NEMA/UL	NEMA 2
	Housing	UL Enclosure Type 2
	Agency Listing	cULus acc. to UL60730-1A/-2-14, CAN/CSA E60730-1:02 CE acc. to 2014/30/EU and 2014/35/EU
	Quality Standard	ISO 9001
	UL 2043 Compliant	Suitable for use in air plenums per Section 300.22(C) of the NEC and Section 602 of the IMC
	Ambient humidity	Max. 95% RH, non-condensing
	Ambient temperature	-22...122°F [-30...50°C]
	Storage temperature	-40...176°F [-40...80°C]
	Servicing	maintenance-free
Weight	Weight	4.5 lb [2.0 kg]
Materials	Housing material	Galvanized steel and plastic housing

Technical data

Footnotes †Rated Impulse Voltage 4kV, Type of action 1.AA, Control Pollution Degree 3.

Peripheral devices

Description	Type
Cable conduit connector 1/2"	TF-CC US
Wrench 0.32 in and 0.39 in [8 mm and 10 mm]	TOOL-06
Mounting bracket for AF..	ZG-100
Mounting bracket for AF / NF	ZG-101
Mounting bracket for AF / NF	ZG-118
Mounting kit for foot mount installation	ZG-AFB118
Weather shield 13x8x6" [330x203x152 mm] (LxWxH)	ZS-100
Weather shield 406x213x102 mm [16x8-3/8x4"] (LxWxH)	ZS-150
Explosion proof housing 16x10x6.435" [406x254x164 mm] (LxWxH), UL and CSA, Class I, Zone 1&2, Groups B, C, D, (NEMA 7), Class III, Hazardous (classified) Locations	ZS-260
Weather shield 17-1/4x8-3/4x5-1/2" [438x222x140 mm] (LxWxH), NEMA 4X, with mounting brackets	ZS-300

Electrical installation
Wire colors:

1 = blue

2 = brown

AC 24...240 V / DC 24...125 V, on/off

