



2-year warranty

**Type overview**

|             |           |
|-------------|-----------|
| <b>Type</b> | <b>DN</b> |
| ZONE225S-80 | 25        |

**Technical data**

|                           |                                |  |
|---------------------------|--------------------------------|--|
| <b>Functional data</b>    | Valve size [mm]                | 1" [25]                                |
|                           | Fluid                          | chilled or hot water, up to 50% glycol |
|                           | Fluid Temp Range (water)       | 32...212°F [0...100°C]                 |
|                           | Body Pressure Rating           | 300 psi                                |
|                           | Close-off pressure $\Delta ps$ | 20 psi                                 |
|                           | Flow characteristic            | on/off                                 |
|                           | Flow Pattern                   | 2-way                                  |
|                           | Leakage rate                   | ANSI Class III 0.1%                    |
|                           | Cv                             | 8                                      |
| <b>Materials</b>          | Valve body                     | forged brass                           |
|                           | Housing seal                   | EPDM                                   |
|                           | Spindle                        | stainless steel                        |
|                           | Seat                           | EPDM                                   |
|                           | Pipe connection                | sweat                                  |
| <b>Suitable actuators</b> | Spring                         | ZONE                                   |

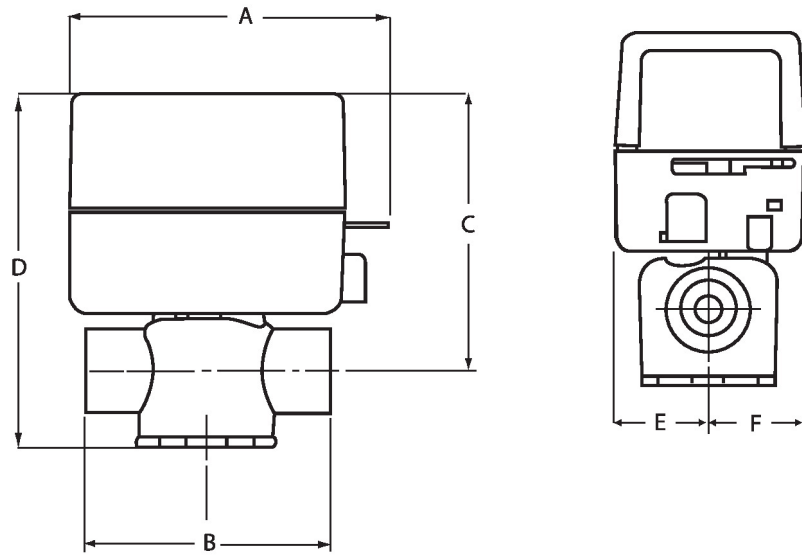
**Product features**

**Application** This valve is typically used on fan coil units, baseboards or other hydronic applications where fail safe operation on 2-wire control is required. This valve is suitable for use in a hydronic system with variable or constant flow.

This valve is designed to fit in compact areas where on/off or control is required using 24 VAC or 120 VAC.

**Dimensions**

|             |           |
|-------------|-----------|
| <b>Type</b> | <b>DN</b> |
| ZONE225S-80 | 25        |



| A          | B         | C         | D          | E         | F         |
|------------|-----------|-----------|------------|-----------|-----------|
| 4.0" [102] | 3.4" [86] | 3.7" [93] | 4.6" [117] | 1.2" [30] | 1.2" [31] |



2-year warranty


**Technical data**

|                        |                                     |  |
|------------------------|-------------------------------------|--|
| <b>Electrical data</b> | Nominal voltage                     | AC 24 V  |
|                        | Nominal voltage frequency           | 50/60 Hz   |
|                        | Power consumption in operation      | 6.5 W  |
|                        | Transformer sizing                  | 7 VA (class 2 power source)                            |
|                        | Auxiliary switch                    | 1 x SPST, 0.4 A resistive (0.4 A inductive) @ AC 24 V, |
|                        | Switching capacity auxiliary switch | 0.4 A resistive (0.4 A inductive) @ AC 24 V            |
|                        | Electrical Connection               | 18" wire leads   |
| <b>Functional data</b> | Angle of rotation                   | 90°  |
|                        | Running time fail-safe              | <5 s Variable: 2.5...10 s                              |
|                        | Noise level, motor                  | 35 dB(A)   |
|                        | Noise level, fail-safe              | 35 dB(A)   |
| <b>Safety data</b>     | Degree of protection IEC/EN         | IP20   |
|                        | Degree of protection NEMA/UL        | NEMA 1   |
|                        | Enclosure                           | UL Enclosure Type 1                                    |
|                        | Agency Listing                      | CE, cULus  |
|                        | Quality Standard                    | ISO 9001   |
|                        | Ambient temperature                 | 32...104 [0...40°C]                                    |
|                        | Storage temperature                 | -40...176°F [-40...80°C]                               |
|                        | Ambient humidity                    | Max. 95% RH, non-condensing                            |
|                        | Servicing                           | maintenance-free                                       |
| <b>Materials</b>       | Housing material                    | galvanized steel                                       |

**Electrical installation**
**INSTALLATION NOTES**

- Meets cULus requirements without the need of an electrical ground connection.
- One built-in auxiliary switch, 1x SPST 0.4A @ 24 VAC (resistive and inductive loads).

**Wiring diagrams**

Built-in Auxiliary Switch (optional) (only on -S models)

