

Spring-return actuator, combined with external thermal fuse, for fire and smoke dampers 90° in ventilation and air-conditioning systems

- Nominal torque 18 Nm / 12 Nm
- Nominal voltage AC/DC 24 V
- Control open-close
- Damper rotation form fit 12 mm (10 mm with enclosed adapter)


**Technical data**

<b>Electrical data</b>	Nominal voltage	AC/DC 24 V
	Nominal voltage frequency	50/60 Hz
	Nominal voltage range	AC 19.2 V ... 28.8 V / DC 21.6 V ... 28.8 V
	Power consumption in operation	7 W
	Power consumption at rest	2 W
	Power consumption for wire sizing	10 VA
	Power consumption for wire sizing note	I <sub>max</sub> 3.3 A @ 5 ms
	Auxiliary switch	2 x SPDT
	Switching capacity auxiliary switch	Contact gold-plated silver: 1 mA ... 3 (0.5) A, DC 5 V ... AC 250 V (II Totally insulated)
	Switching points auxiliary switch	5° / 80°
Connection supply	Cable 1 m, 2 x 0.75 mm <sup>2</sup> (halogen-free)	
Connection auxiliary switch	Cable 1 m, 6 x 0.75 mm <sup>2</sup> (halogen-free)	
<b>Functional data</b>	Torque motor	Min. 18 Nm
	Torque spring-return	Min. 12 Nm
	Direction of rotation motor	Can be selected by mounting L / R
	Angle of rotation	Max. 95° (incl. 5° initial spring tension)
	Running time motor	<120 s / 90°
	Running time spring-return	16 s (t <sub>amb</sub> = 20°C)
	Sound power level motor max.	45 dB (A)
	Sound power level spring-return max.	63 dB (A)
	Damper rotation	Form fit 12 mm (10 mm with enclosed adapter)
	Position indication	Mechanically, with pointer
Service life	Min. 60,000 safety positions	
<b>Safety</b>	Response temperature thermal fuse	Tf1: Duct outside temperature 72°C
	Protection class IEC/EN	III Safety extra-low voltage
	Degree of protection IEC/EN	IP54 in all mounting positions
	EMC	CE according to 2014/30/EU
	Low-voltage directive	CE according to 2014/35/EU
	Certification IEC/EN	Certified according to IEC/EN 60730-1 and IEC/EN 60730-2-14
	Mode of operation	Type 1.AA.B
	Rated impulse voltage supply / control	0.8 kV
	Control pollution degree	3
	Ambient temperature normal duty	-30°C ... 50°C
Ambient temperature safety duty	The safety position will be attained up to max. 75°C	
Non-operating temperature	-40°C ... 50°C	
Ambient humidity	95% r.h., non-condensing	
Maintenance	Maintenance-free	
<b>Weight</b>	Weight approx.	2.8 kg

## Safety notes



- The device must not be used outside the specified field of application, especially not in aircraft or in any other airborne means of transport.
- The actuator is adapted and installed on the fire and smoke damper by the damper manufacturer. For this reason, the actuator is only supplied directly to safety damper manufacturers. The manufacturer then bears full responsibility for the proper functioning of the damper.
- The two switches integrated in the actuator are to be operated either on power supply voltage or at safety extra-low voltage. The combination power supply voltage/ safety extra-low voltage is not permitted.
- The device may only be opened at the manufacturer's site. It does not contain any parts that can be replaced or repaired by the user.
- The device contains electrical and electronic components and is not allowed to be disposed of as household refuse. All locally valid regulations and requirements must be observed.

## Product features

<b>Mode of operation</b>	The actuator moves the damper to the operating position at the same time as tensioning the return spring. The damper is turned back to the safety position by spring energy when the supply voltage is interrupted.
<b>External thermal fuse</b>	If the ambient temperature of 72°C is exceeded, the thermal fuse Tf1 responds. The supply voltage is interrupted permanently and irreversibly. The function of the thermal fuse and the test button is only warranted if the actuator is connected to the power supply and has reached its operating position.
<b>Signalling</b>	Two microswitches with fixed settings are installed in the actuator for indicating the damper end positions. The position of the damper blade can be read off on a mechanical position indicator.
<b>Manual operation</b>	Without power supply, the damper can be operated manually and fixed in any required position. It can be unlocked manually or automatically by applying the supply voltage.
<b>Standards / Regulations</b>	The design of the actuator is based on the specific requirements from the European standards: <ul style="list-style-type: none"> <li>- EN 15650 Ventilation for buildings – Fire dampers</li> <li>- EN 1366-2 Fire resistance tests on service installations (Part 2: Fire dampers)</li> <li>- EN 13501-3 Fire classification of construction products and building elements (Part 3: Classification using data from fire resistance tests on products and elements used in building service installations: fire resisting ducts and fire dampers)</li> </ul>
<b>Recommendation for application</b>	Regular operational checks (open-close control of the fire damper) enhance the safety of people, animals, property and the environment. Unless other requirements are stipulated – e. g. in the damper manufacturer's operating instructions – Belimo recommends the performance of monthly operational checks. Fire damper actuators from Belimo are designed in accordance with service life specifications contained in the technical data sheet for regular operational checks. Notes for regular operational checks can be found in the European Product Standard for Fire Dampers (EN 15650) under «Maintenance information».

## Accessories

	Description	Data sheet name
<b>Electrical accessories</b>	Thermoelectrical tripping device	BAE72
	Thermoelectrical tripping device, with plug	BAE72-F-ST
	Thermoelectrical tripping device, with test button	BAE72-S
	Thermoelectrical tripping device, with plug, with test button	BAE72-S-F-ST
	Auxiliary switch 2 x SPDT	SN2-C7
	Cable set with plug, L = 0.5 m for communication and power supply unit	ZST-BS
<b>Mechanical accessories</b>	Adapter with clamp for round spindle 10...20 mm / square 10...16 mm for BF	ZK-BF
	Adapter for form fit 12 mm with round spindle 18 mm, L = 33 mm for BF	ZA18-BF
	Adapter 12/8 mm for BF.. and BLF..	ZA8-BF
	Adapter 12/11 mm for BF.. and BLF..	ZA11-BF
	Bracket for auxiliary switch (SN2-C7) for BF, BR	ZSN-BF

Electrical installation



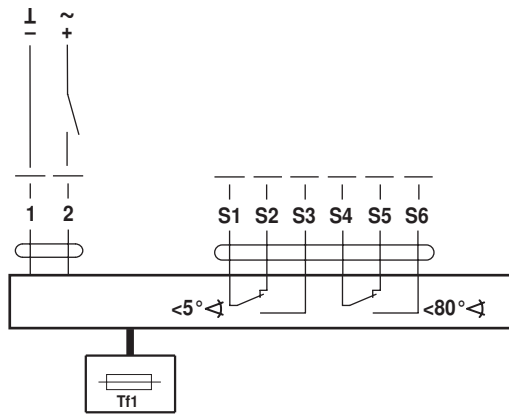
Notes

- Connection via safety isolating transformer.
- Parallel connection of other actuators possible. Note the performance data.

Electrical installation

Wiring diagrams

AC/DC 24, open-close

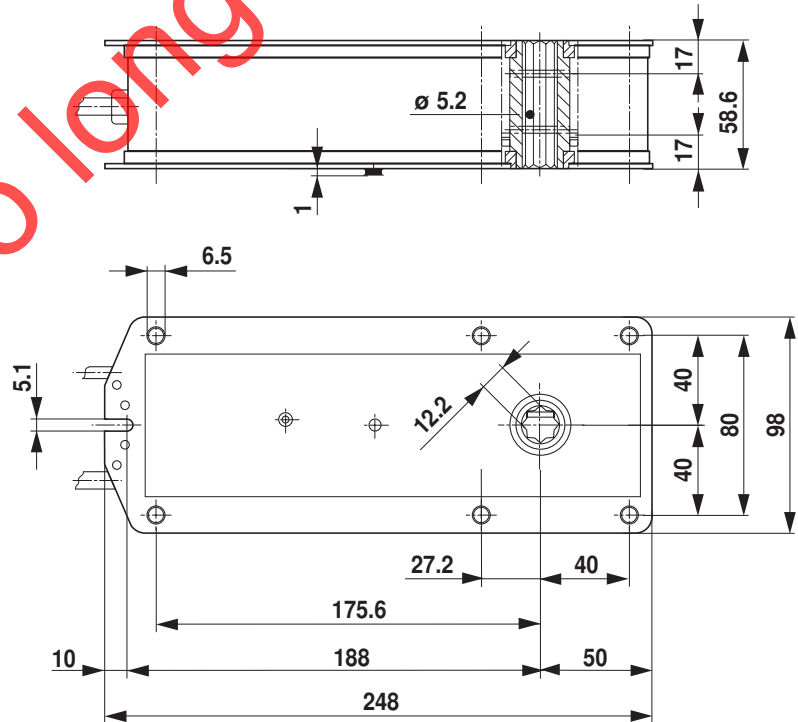


Cable colours:

- 1 = black
- 2 = white
- S1 = white
- S2 = white
- S3 = white
- S4 = white
- S5 = white
- S6 = white

Dimensions [mm]

Dimensional drawings



Product no longer available