

Spring-return actuator for fire and smoke dampers 90° in ventilation and air-conditioning systems, available for connection to the control unit BSIA24-48/-R for pulse triggering

- Nominal torque 6 Nm / 4 Nm
- Nominal voltage AC/DC 48 V
- Control open-close
- Damper rotation form fit 12 mm (10 mm with enclosed adapter)


**Technical data**

<b>Electrical data</b>	Nominal voltage	AC/DC 48 V
	Nominal voltage frequency	50/60 Hz
	Nominal voltage range	AC 38.4 V ... 57.6 V / DC 38.4 V ... 57.6 V
	Power consumption in operation	8.5 W
	Power consumption at rest	4.5 W
	Power consumption for wire sizing	9.5 VA
	Power consumption for wire sizing note	I <sub>max</sub> 3.5 A @ 5 ms
	Auxiliary switch	2 x SPDT
	Switching capacity auxiliary switch	Contact gold-plated silver: 1 mA ... 3 (0.5) A, DC 5 V ... AC 250 V (II Totally insulated)
	Switching points auxiliary switch	5° / 80°
<b>Functional data</b>	Connection supply	Cable 1 m, 2 x 0.75 mm <sup>2</sup> (halogen-free)
	Connection auxiliary switch	Cable 1 m, 6 x 0.75 mm <sup>2</sup> (halogen-free)
	Torque motor	Min. 6 Nm
	Torque spring-return	Min. 4 Nm
	Direction of rotation motor	Can be selected by mounting L / R
	Angle of rotation	Max. 95° (incl. 5° initial spring tension)
	Running time motor	40 ... 75 s (0 ... 6 Nm) / 90°
	Running time spring-return	~20 s @ -20 ... 50°C / max. 60 s @ -30°C
	Sound power level motor max.	45 dB (A)
	Sound power level spring-return max.	63 dB (A)
<b>Safety</b>	Damper rotation	Form fit 12 mm (10 mm with enclosed adapter)
	Position indication	Mechanically, with pointer
	Service life	Min. 60,000 safety positions
	Protection class IEC/EN	III Safety extra-low voltage
	Degree of protection IEC/EN	IP54 in all mounting positions
	EMC	CE according to 2004/108/EC
	Low-voltage directive	CE according to 2006/95/EC
	Certification IEC/EN	Certified according to IEC/EN 60730-1 and IEC/EN 60730-2-14
	Mode of operation	Type 1.AA.B
	Rated impulse voltage supply / control	0.8 kV
<b>Weight</b>	Control pollution degree	3
	Ambient temperature normal duty	-30°C ... 50°C
	Ambient temperature safety duty	The safety position will be attained up to max. 75°C when triggered by a thermal fuse
	Non-operating temperature	-40°C ... 80°C
	Ambient humidity	95% r.h., non-condensing
	Maintenance	Maintenance-free
	Weight approx.	1.54 kg

## Safety notes



- The actuator is not allowed to be used outside the specified field of application, especially in aircraft or in any other airborne means of transport.
- The actuator is adapted and mounted to the fire and smoke damper by the damper manufacturer. For this reason, the actuator is only supplied direct to safety damper manufacturers. The manufacturer then bears full responsibility for the proper functioning of the damper.
- The device may only be opened at the manufacturer's site. It does not contain any parts that can be replaced or repaired by the user.
- The device contains electrical and electronic components and is not allowed to be disposed of as household refuse. All locally valid regulations and requirements must be observed.

## Product features

<b>Mode of operation</b>	The actuator moves the damper to the operating position at the same time as tensioning the return spring. The damper is turned back to the safety position by spring energy when the supply voltage is interrupted.
<b>Signalling</b>	Two microswitches with fixed settings are installed in the actuator for indicating the damper end positions. The position of the damper blade can be read off on a mechanical position indicator.
<b>Manual operation</b>	Without power supply, the damper can be operated manually and fixed in any required position. It can be unlocked manually or automatically by applying the supply voltage.
<b>Connecting</b>	The actuator is fitted with plugs. This means it can be used with the control units BSIA24-48 and BSIA24-48-R. Connection plug



## Accessories

	Description	Data sheet name
<b>Electrical accessories</b>	Thermoelectric tripping devices	BAE72
		BAE72-F-ST
	Thermoelectric tripping devices with test button	BAE72-S
		BAE72-S-F-ST
	Auxiliary switch, 2 x SPDT, 6 A (2.5 A), AC 250 V	SN2-C7
<b>Mechanical accessories</b>	Control unit for pulse triggering	BSIA24-48
	Control unit for pulse triggering as a result of closed current interruption	BSIA24-48-R
	Adapter with clamp for rotary axes up to 20 mm for BF.. and BLF..	ZK-BF
	Adapter with DM18 rotary axis, L = 33 mm for BF.. and BLF..	ZA18-BF
	Adapter 12/8 mm for BF.. and BLF..	ZA8-BF
	Adapter 12/11 mm for BF.. and BLF..	ZA11-BF
	Bracket for SN1 and SN2 auxiliary switches, For BLF.. actuators	ZSN-BLF

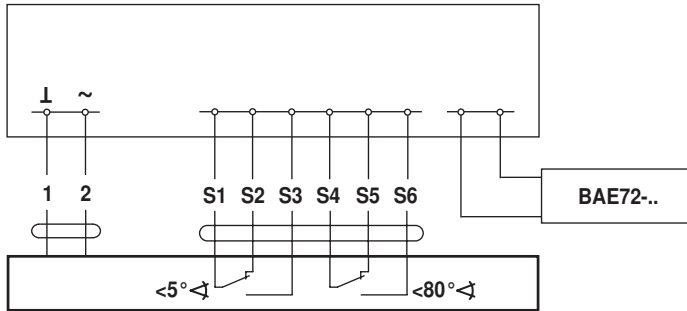
Information regarding thermoelectric tripping devices

- The BAE72.. cannot be connected directly to a 48 V supply. 48 V / 24 V safety isolating transformer with special protective element. For further information please contact the manufacturer and note Belimo Knowledge K3-0010.

**Electrical installation**

Wiring diagrams

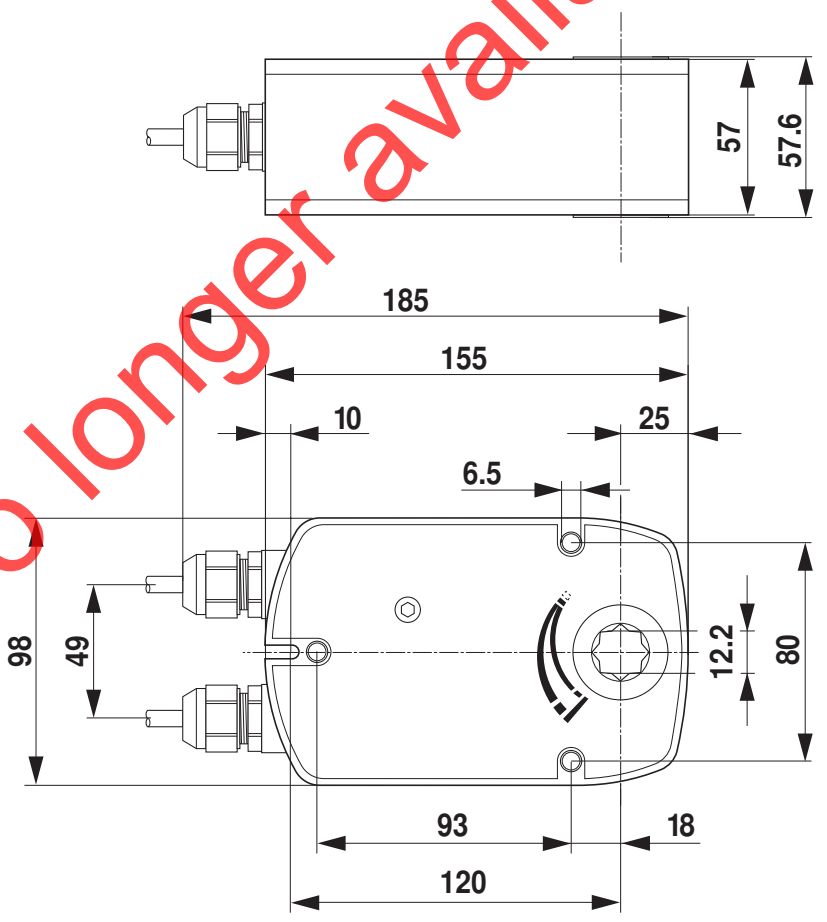
Application with the control units BSIA24-48 and BSIA24-48-R



BAE72.. optional, see "Accessories"

**Dimensions [mm]**

Dimensional drawings



Product no longer available