

Stainless steel globe valve, 2-way,
Internal thread

- For open and closed cold and warm water systems
- For modulating control of air-handling and heating systems on the water side


Type overview

Type	DN []	Rp ["]	kvs [m ³ /h]	Stroke []	PN []	Sv min. []
H2015X-S	15	1/2	1.9	10 mm	25	50
H2020X-S	20	3/4	4.4	10 mm	25	50
H2025X-S	25	1	8	15 mm	25	50
H2032X-S	32	1 1/4	10	20 mm	25	50
H2040X-S	40	1 1/2	20	20 mm	25	50
H2050X-S	50	2	32	20 mm	25	50

Technical data

Functional data	Fluid	Cold, warm and hot water, water with glycol up to max. 50% vol.
	Fluid temperature	0...130 °C
	Permissible operating pressure ps	2500 kPa
	Flow characteristic	equal percentage (VDI/VDE 2173) n(gl) = 3, optimised in the opening range
	Leakage rate	max. 0.02% of the kvs value
	Closing point	Top (▲)
	Pipe connectors	Internal thread according to ISO 7-1
	Installation position	upright to horizontal (in relation to the stem)
	Servicing	maintenance-free
	Materials	Housing
Closing element		stainless steel AISI 304
Stem		Stainless steel AISI 304
Stem seal		PTFE+FFKM
Seat		Stainless steel AISI 304

Safety notes

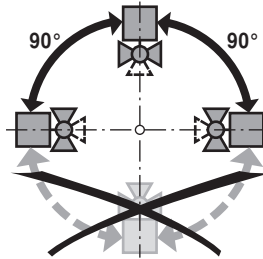

- The valve has been designed for use in stationary heating, ventilation and air-conditioning systems and must not be used outside the specified field of application, especially in aircraft or in any other airborne means of transport.
- Only authorised specialists may carry out installation. All applicable legal or institutional installation regulations must be complied during installation.
- The valve does not contain any parts that can be replaced or repaired by the user.
- The valve may not be disposed of as household refuse. All locally valid regulations and requirements must be observed.
- When determining the flow rate characteristic of controlled devices, the recognised directives must be observed.

Product features

- Mode of operation** The globe valve is adjusted by a globe valve actuator. The actuators are connected by a commercially available modulating or 3-point control system and move the valve cone, which acts as a throttling device, into the opening position dictated by the positioning signal.
- Flow characteristic** An equal percentage flow characteristic is produced by the profile of the valve cone.

Installation notes

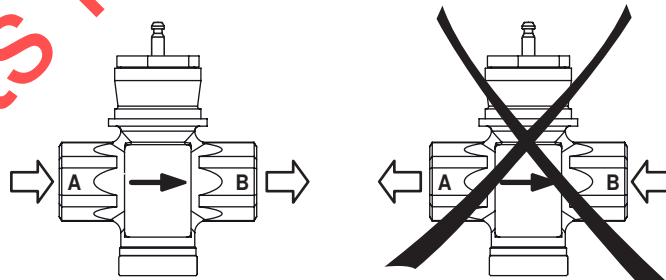
- Recommended installation positions** The globe valve may be mounted upright to horizontal. It is not permissible to mount the globe valves with the spindle pointing downwards.



- Water quality requirements** The water quality requirements specified in VDI 2035 must be adhered to. Belimo valves are regulating devices. For the valves to function correctly in the long term, they must be kept free from particle debris (e.g. welding beads during installation work). The installation of a suitable strainer is recommended.

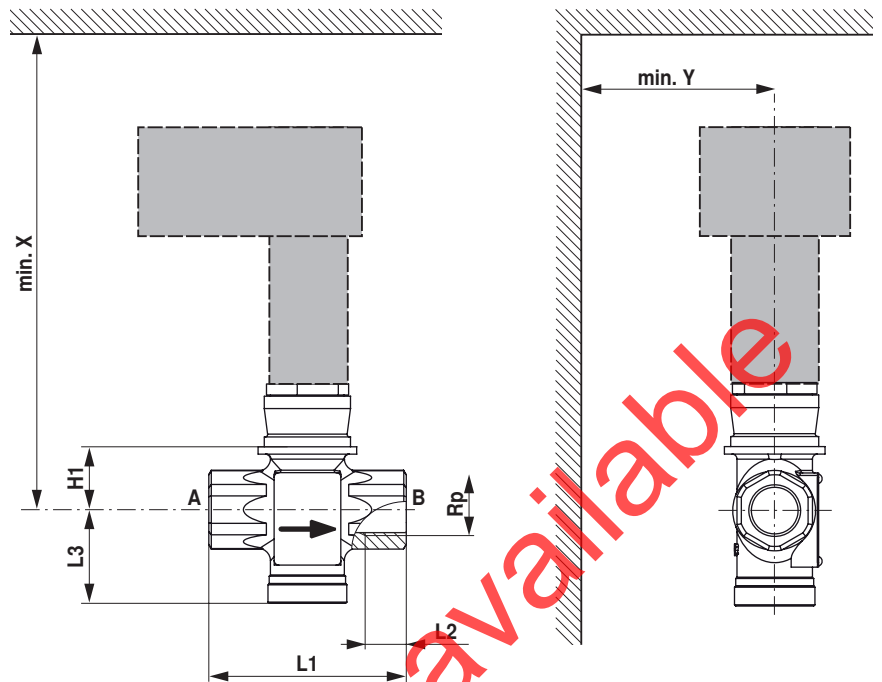
- Servicing** Globe valves and globe valve actuators are maintenance-free. Before any service work on the final controlling device is carried out, it is essential to isolate the globe valve actuator from the power supply (by unplugging the electrical cables if necessary). Any pumps in the part of the piping system concerned must also be switched off and the appropriate slide valves closed (allow all components to cool down first if necessary and always reduce the system pressure to ambient pressure level). The system must not be returned to service until the globe valve and the globe valve actuator have been reassembled correctly in accordance with the instructions and the pipeline has been refilled by professionally trained personnel.

- Flow direction** The direction of flow, specified by an arrow on the housing, is to be complied with, since otherwise the valve could become damaged.



Dimensions / Weight

Dimensional drawings



X/Y: Minimum distance with respect to the valve centre.
The actuator dimensions can be found on the respective actuator data sheet.

Type	DN []	Rp ["]	L1 [mm]	L2 [mm]	L3 [mm]	H1 [mm]	X [mm]	Y [mm]	Weight
H2015X-S	15	1/2	80	15	38	25.5	296	100	1.0 kg
H2020X-S	20	3/4	80	15	40	28	299	100	1.1 kg
H2025X-S	25	1	100	15	44	32	303	100	1.5 kg
H2032X-S	32	1 1/4	103	19	47	35	306	100	1.8 kg
H2040X-S	40	1 1/2	122	20	52	40.5	311	100	2.4 kg
H2050X-S	50	2	138	23	65	47	318	100	3.4 kg

Further documentation

- Data sheets for globe valve actuators
- Installation instructions for valves and/or globe valve actuators
- Notes for project planning 2-way and 3-way globe valves