

Rotary actuator for ball valves



## Technical data

<b>Electrical data</b>	Nominal voltage	AC 230 V
	Nominal voltage frequency	50/60 Hz
	Nominal voltage range	AC 198...264 V
	Power consumption in operation	3.5 W
	Power consumption for wire sizing	3.5 VA
	Connection supply / control	Cable 1 m, 3x 0.75 mm <sup>2</sup>
	Parallel operation	No
	<b>Functional data</b>	Torque motor
Manual override		temporary and permanent gear train disengagement with rotary knob on the housing
Running time motor		140 s / 90°
Sound power level, motor		40 dB(A)
Duty cycle value		75% (= active time 140 s / operating time 187 s)
Position indication		Reversible scale plate
Service life		Full cycles: 60'000
<b>Safety data</b>		Protection class IEC/EN
	Degree of protection IEC/EN	IP40
	EMC	CE according to 2014/30/EU
	Low voltage directive	CE according to 2014/35/EU
	Type of action	Type 1
	Rated impulse voltage supply / control	4 kV
	Pollution degree	3
	Ambient humidity	Max. 95% RH, non-condensing
	Ambient temperature	0...50°C [32...122°F]
	Storage temperature	-30...80°C [-22...176°F]
	Servicing	maintenance-free
<b>Weight</b>	Weight	0.51 kg
	<b>Housing colours</b>	Housing cover
Housing base		orange

**Safety notes**



- This device has been designed for use in stationary heating, ventilation and air-conditioning systems and must not be used outside the specified field of application, especially in aircraft or in any other airborne means of transport.
- Caution: Mains voltage!
- The actuator is to be protected against moisture. It is not suitable for outdoor applications.
- Only authorised specialists may carry out installation. All applicable legal or institutional installation regulations must be complied with during installation.
- The device does not contain any parts that can be replaced or repaired by the user.
- The device contains electrical and electronic components and must not be disposed of as household refuse. All locally valid regulations and requirements must be observed.

**Product features**

- Simple direct mounting** Simple direct mounting on the ball valve with only one screw. The mounting orientation in relation to the ball valve can be selected in 90° steps.
- Manual override** Manual override with lever possible. Temporary gear train disengagement by pushing the rotary knob. Permanent disengagement by pushing and simultaneous rotating the rotary knob clockwise 90°.
- High functional reliability** The actuator switches off automatically when the end stops are reached.

**Accessories**

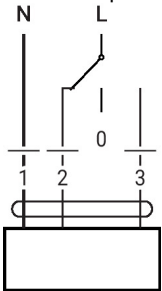
Electrical accessories	Description	Type
	Auxiliary switch 1x SPDT for 3-point HT actuators with cable connection	SNR

**Electrical installation**

Caution: Mains voltage!

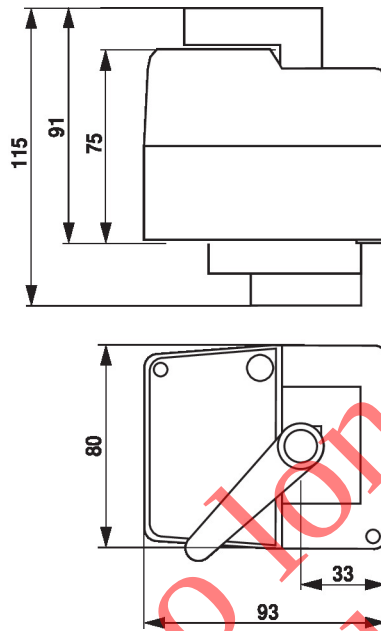


AC 230 V, 3-point



1	2	3	
			stop

## Dimensions



## Further documentation

- Installation instructions for actuators and/or ball valves
- General notes for project planning

Product no longer available