



Dampers up to approx. 0.8 m<sup>2</sup>

Open/Close actuator (AC/100 V)

Control by single-pole contact  
(single-wire control)

### Application

The type LM100 is intended for the operation of air control dampers in ventilation and air-conditioning systems.

### Mode of operation

Open/Close control by single-wire system.

### Product features

**Simple direct mounting** on the damper spindle by universal spindle clamp. An antirotation device is supplied to prevent unwanted rotation of the whole unit.

**Manual operation** by self-resetting pushbutton when necessary (the gearing is disengaged while the pushbutton is held depressed).

**Adjustable angle of rotation** with mechanical stops.

### High functional reliability

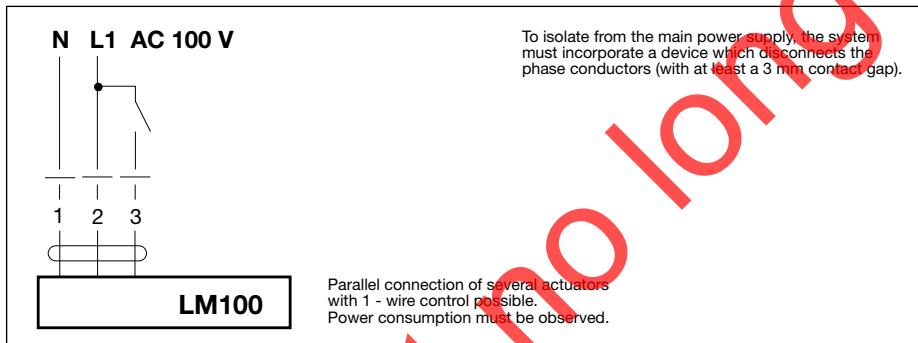
The actuator is overload-proof, needs no limit switches and halts automatically at the end stops.

**Mounting instructions**, page 6

### Important

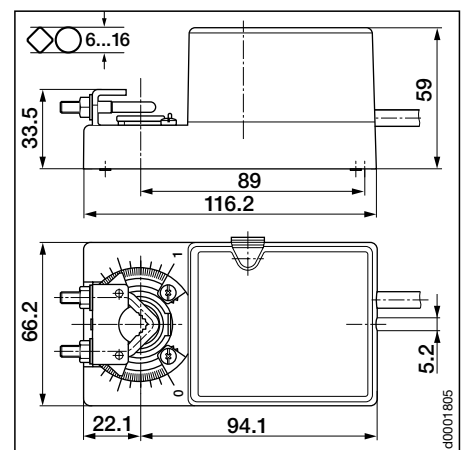
Read the notes about the use and torque requirements of the damper actuators on page 2.

### Wiring diagram



Technical data	LM100
Nominal voltage	AC 100 V / 50/60 Hz
For wiring sizing	6 VA
Power consumption	1 W
Connecting cable	1 m long, 3 × 0.75 mm <sup>2</sup>
Direction of rotation	selected with L/R switch
Manual operation	pushbutton, self-resetting
Torque	min. 4 Nm (at rated voltage)
Angle of rotation	max. 95° (adjustable by mechanical stops)
Running time	80...110 s (0... 4 Nm)
Sound power level	max. 35 dB(A)
Position indication	mechanical with pointer
Protection class	II (all insulated)
Degree of protection	IP 54 (cable entry down)
Ambient temperature range	- 30... + 50 °C
Non-operating temperature	- 40... + 80 °C
Humidity test	to EN 60335-1
EMC	CE according to 89/336/EEC and 92/31/EEC
Maintenance	maintenance-free
Weight	610 g

### Dimensions



Subject to technical changes / 12.98