

Dampers up to approx. 0.4 m²
Modulating damper actuator (AC/DC 24 V)

Control DC 0...10 V and position feedback DC 2...10 V

Running time < 35 s

Application

The type LMC24-SR-F is intended for the operation of air control dampers in ventilation and air-conditioning systems.

Mode of operation

The actuator is controlled by a standard DC 0...10 V signal and runs to whatever position is specified by the signal. The purpose of measuring voltage U is to provide 0...100% electrical indication of damper position and to act as a master-slave control signal for other actuators.

Product features

Simple mounting

The actuator, with its hollow shaft, is placed over the 8mm square spindle of the damper and secured by two screws.

Steplessly adjustable angle of rotation

by integral potentiometer. Range matching of the working range and measuring signal U is performed automatically by the actuator.

Manual operation by self-resetting push-button when necessary (the gearing is disengaged while the pushbutton is held depressed).

High functional reliability

The actuator is overload-proof, needs no limit switches and halts automatically at the end stops.

Electrical accessories

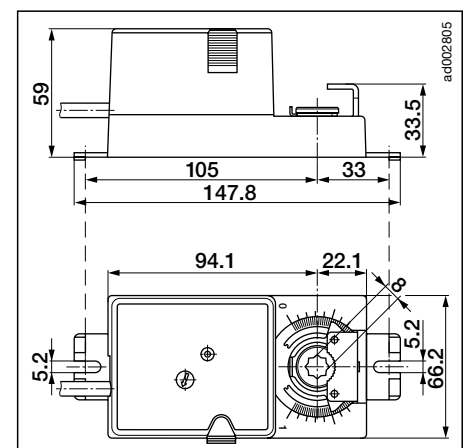
SG..24 Positioners
 ZAD24 Digital position indicator

Dimensions, page 6

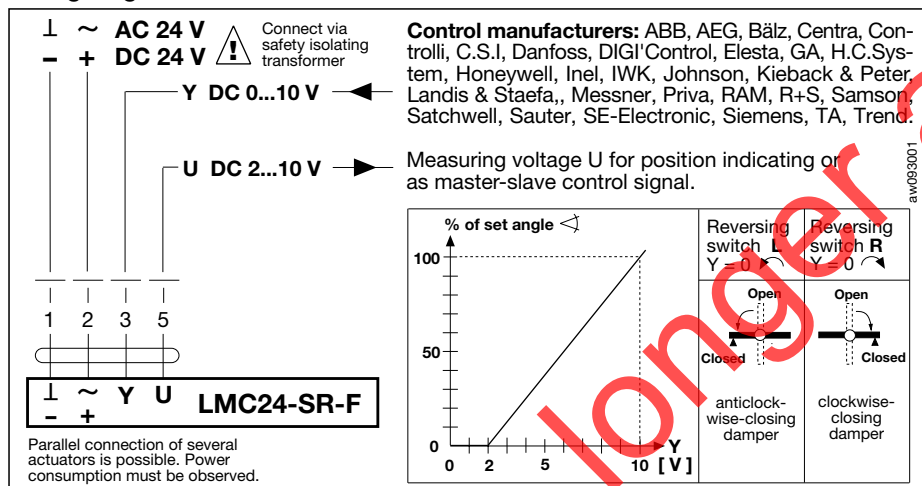
Mounting instructions, page 7

Important: Read the notes about the use and torque requirements of the damper actuators on page 2.

Dimensions



Wiring diagram



Technical data	LMC24-SR-F
Nominal voltage	AC 24 V 50/60 Hz, DC 24 V
Nominal voltage range	AC 19.2...28.8 V, DC 21.6...26.4 V
For wire sizing	4.5 VA
Power consumption	2.5 W
Connecting cable	1 m long, 4 x 0.75 mm ²
Control signal Y	DC 0...10 V @ input resistance = 100 kΩ
Operating range	DC 2...10 V (for set angle of rotation)
Measuring voltage U	DC 2...10 V @ ≤ 0.5 mA (for set angle of rotation)
Synchronism tolerance	± 5%
Direction of rotation	selected with L/R switch
(at Y = 0 V)	at switch position L ↶ resp. R ↷
Manual operating	Pushbutton, self resetting
Torque	min. 2 Nm (at rated voltage)
Angle of rotation	max. 95° (adjustable with potentiometer 20...100%)
Damper rotation	8 mm form-fit
Running time	25...35 s (0...2 Nm)
Sound power level	max. 45 dB (A)
Position indication	mechanical
Protection class	⚡ (safety low voltage)
Degree of protection	IP 54 (bottom cable entry)
Ambient temperature range	- 30...+ 50 °C
Non-operating temperature	- 40...+ 80 °C
Humidity test	to EN 60335-1
EMC	CE according to 89/336/EEC, 92/31/EEC, 93/68/EEC
Maintenance	maintenance free
Weight	610 g