

## Pressure sensor liquids

Active sensor (4...20 mA) for pressure measurement in HVAC systems. The sensor is suitable for liquids, refrigerants or non-aggressive gases. The housing is made of stainless steel and is IP65 / NEMA 4 rated.



## Type Overview

Type	Measuring range [bar]	Output signal active pressure	Overpressure	Burst pressure
22WP-134	0...4	4...20 mA	8 bar	12 bar
22WP-135	0...6	4...20 mA	12 bar	18 bar
22WP-136	0...10	4...20 mA	20 bar	30 bar
22WP-137	0...16	4...20 mA	32 bar	48 bar
22WP-139	0...25	4...20 mA	50 bar	75 bar

## Technical data

<b>Electrical data</b>	Nominal voltage	DC 24 V
	Nominal voltage range	DC 13.5...26.4 V
	Power consumption DC	0.5 W
	Electrical connection	Connector plug for wire 0.5...1.5 mm <sup>2</sup>
	Cable entry	MVS plug according to DIN EN175301-803 / Type A
<b>Functional data</b>	Application	Water Water-glycol mixture Steam
	Current output	1x 4...20 mA, max. resistance 500 Ω
	Mechanical connection	pressure connector: G 1/4"
	Typical response time	max. 2 ms
<b>Measuring data</b>	Measured values	Relative pressure
<b>Specification Pressure</b>	Sensing element technology	Strain gauge on precious metal
	Accuracy	<±0.5% FS @ 21°C [70°F] <±1.5% FS @ -10...50°C [14...122°F] <±2% FS @ -40...105°C [-40...221°F] FS = full scale
	Long term stability	±0.1% p.a.
	<b>Safety data</b>	Protection class IEC/EN
	Degree of protection IEC/EN	IP65
	Degree of protection NEMA/UL	NEMA 4
	EU Conformity	CE Marking
	Certification IEC/EN	IEC/EN 60730-1
	Quality Standard	ISO 9001

**Technical data**

<b>Safety data</b>	Ambient humidity	Max. 95% RH, non-condensing
	Ambient temperature	-40...105°C [-40...221°F]
	Fluid temperature	-40...125°C [-40...255°F] At a fluid temperature of <2°C [<36°F], frost protection must be guaranteed steam inlet @ max. 100 kPa [15 psi]
<b>Materials</b>	Housing seal	FKM fluororubber, Silicone-free
	Housing	Stainless steel 1.4301

**Safety notes**


This device has been designed for use in stationary heating, ventilation and air-conditioning systems and must not be used outside the specified field of application. Unauthorised modifications are prohibited. The product must not be used in relation with any equipment that in case of a failure may threaten humans, animals or assets.

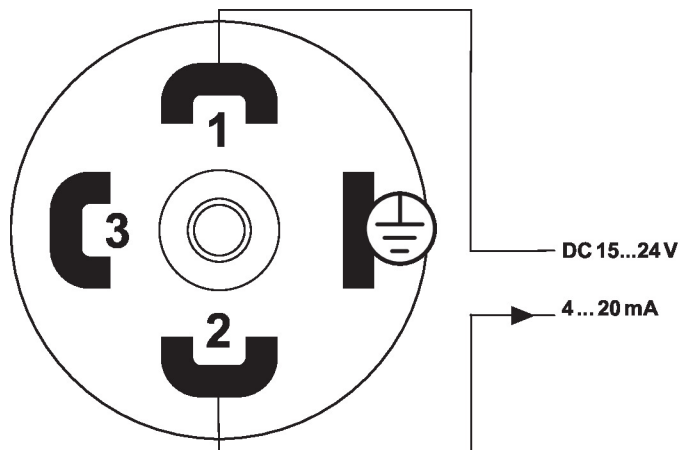
Ensure all power is disconnected before installing. Do not connect to live/operating equipment.

Only authorised specialists may carry out installation. All applicable legal or institutional installation regulations must be complied with during installation.

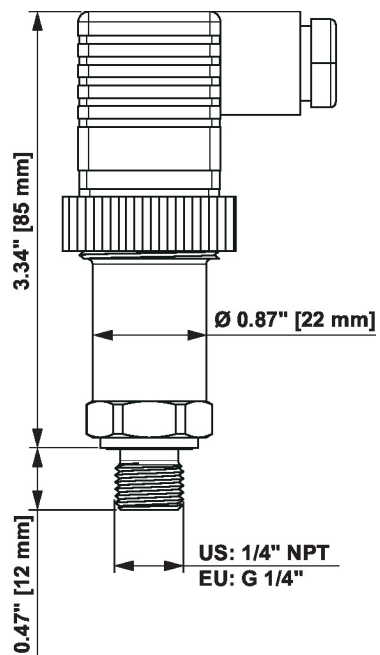
The device contains electrical and electronic components and must not be disposed of as household refuse. All locally valid regulations and requirements must be observed.

**Accessories**

Optional accessories	Description	Type
	Reduction adapter, G 1/4" (internal thread) to G 1/2" (external thread)	A-22WP-A02
Electrical accessories	Description	Type
	Connecting cable 1.5 m for 22WP-.. / 22WDP-..	EXT-MR-249184
	Connecting cable 5 m for 22WP-.. / 22WDP-..	EXT-MR-249185

**Wiring diagram**


## Dimensions



## Further documentation

- Installation instructions