

Brass immersion pocket kit

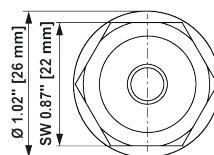
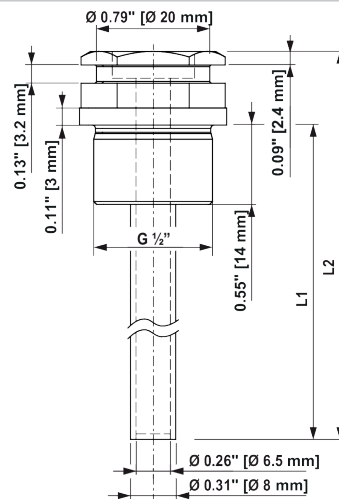
Thermowell made of nickel-plated brass with G 1/2" connection. Including probe fixing material for safety temperature limiter 01HT-1..C and temperature monitor 01HT-1..A.


Type Overview

Type	Thermowell length	Thermowell diameter	Max. flow velocity	Weight
A-22P-A61	100 mm	8 mm	7.2 m/s	0.08 kg
A-22P-A62	150 mm	8 mm	4.8 m/s	0.09 kg
A-22P-A63	200 mm	8 mm	3.6 m/s	0.10 kg

Technical Data

Functional data	Application	Water
Materials	Probe material	Brass nickel-plated
	Thermowell material	Turned part: CW614N (2.0401) Pipe: CW508L (2.0321)
Safety data	Fluid temperature	up to max. 130°C
	Pressure rating	up to max. 40 bar
	EU Conformity	CE Marking
	Quality Standard	ISO 9001

Dimensions
Dimensions


	L1	L2
A-22P-A61	3.94" [100 mm]	4.45" [113 mm]
A-22P-A62	5.91" [150 mm]	6.42" [163 mm]
A-22P-A63	7.87" [200 mm]	8.39" [213 mm]