

## Shaft extension

- for damper shaft  $\varnothing 12\text{...}21$  mm CrNi



## Technical data

Weight	Weight	0.41 kg
--------	--------	---------

## Safety notes

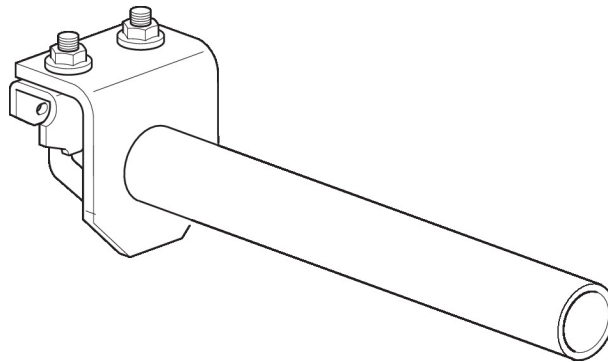


- This accessory has been designed for use in stationary heating, ventilation and air-conditioning systems and must not be used outside the specified field of application, especially in aircraft or in any other airborne means of transport.
- Only authorised specialists may carry out installation. All applicable legal or institutional installation regulations must be complied during installation.
- The accessory may not be disposed of as household refuse. All locally valid regulations and requirements must be observed.

## Product features

**Used materials** Galvanised steel

**Application** Suitable for SM..A, SMC..A, SMD..A, NMD..A



## Dimensions

