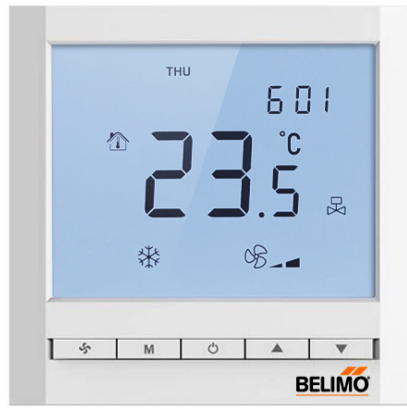


Fan Coil Unit Thermostat

- Designed specifically for fan coil applications, incorporating comprehensive features for efficient temperature control.
- Nominal voltage AC 90...240 V
- Fan control 3-speeds (Low / Med / Hi)
- Valve control Open/close (VO / VC)
- Compatible with 2-pipe system
- 2 inputs for keycard contact and external sensor
- Integrates with BMS via Modbus protocol


Technical data

Electrical data	Nominal voltage	AC 90...240 V
	Nominal voltage frequency	50/60 Hz
	Power consumption in operation	1 W
	Power consumption in operation note	2 W with backlight
	Current output	<2A (Resistive Load), <1A (Inductive Load)
	Electrical connection	Screw terminal (Wire 2x 1.5 mm ² or 1x 2.5 mm ²)
	Cable entry	Back side
Functional data	Communicative control	Modbus RTU
	Fan control	3-speeds (Low / Med / Hi)
	Valve control	Open/close (VO / VC)
Specification temperature passive	Temperature sensor	NTC100k @25°C
	Accuracy temperature	±1%
Safety data	Protection class IEC/EN	II, reinforced insulation
	Degree of protection IEC/EN	IP30
	EMC	CE according to 2014/30/EU
	Low voltage directive	CE according to 2014/35/EU
	Certification IEC/EN	IEC/EN 60730-1 and IEC/EN 60730-2-9
	Type of action	Type 1
	Pollution degree	2
	Ambient humidity	Max. 95% RH, non-condensing
	Ambient temperature	0...50°C [32...122°F]
	Storage temperature	-10...60°C [14...140°F]
Materials	Housing material	PC + ABS, flame retardant

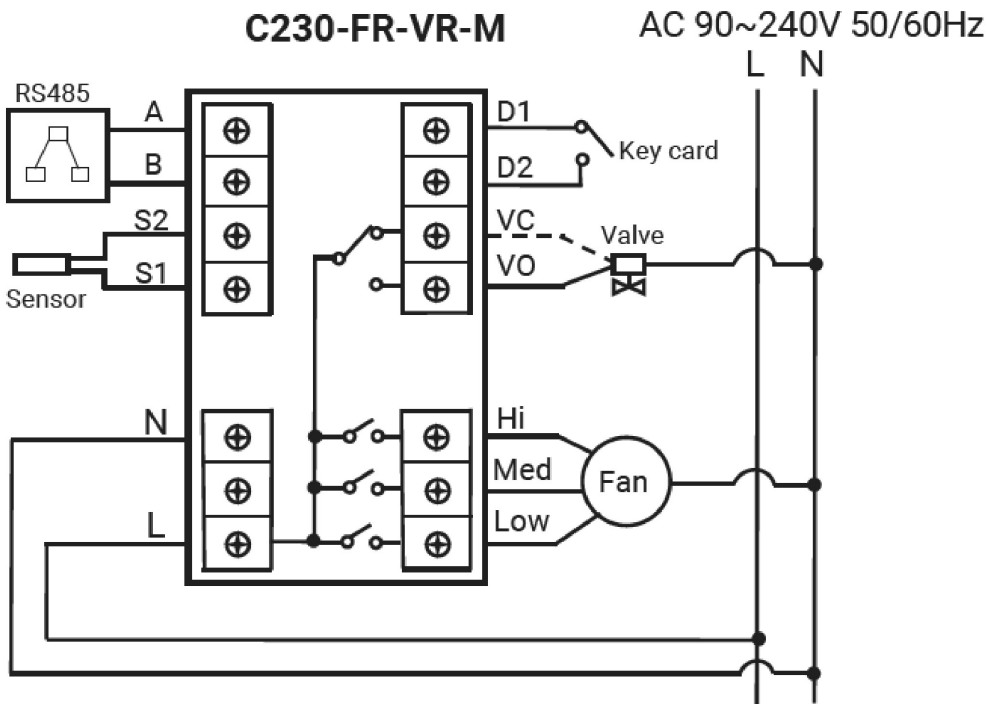
Safety notes


- This device has been designed for use in stationary heating, ventilation and air-conditioning systems and must not be used outside the specified field of application. Unauthorised modifications are prohibited. The product must not be used in relation with any equipment that in case of a failure may threaten humans, animals or assets.
- Ensure all power is disconnected before installing. Do not connect to live/operating equipment.
- Only authorised specialists may carry out installation. All applicable legal or institutional installation regulations must be complied with during installation.
- The device contains electrical and electronic components and must not be disposed of as household refuse. All locally valid regulations and requirements must be observed.

Electrical installation

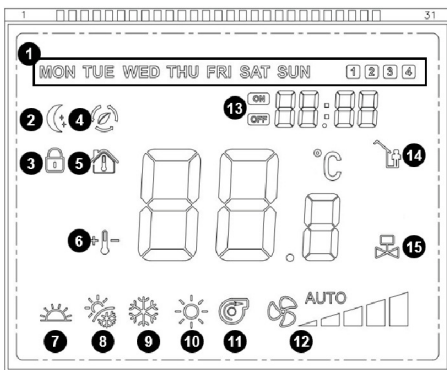
Wiring diagrams

AC 230 V



External sensor compatibility:
NTC10k ±1% @25°C, B value
3950, max. cable length 10 m

Operating controls and indicators



- 1 7-day and 4 time slots programming
- 2 Sleep mode
- 3 Thermostat locked
- 4 Eco mode
- 5 Room temperature
- 6 Set temperature
- 7 Low-temperature protection
- 8 Auto mode
- 9 Cooling mode
- 10 Heating mode
- 11 Ventilation mode
- 12 Fan speed (high / medium / low)
- 13 Clock and timer on / off
- 14 Occupancy sensor active
- 15 Valve open / active

Operating controls and indicators



- 1 Fan speed control
- 2 Mode selection
- 3 Power on / off
- 4 Increase temperature
- 5 Decrease temperature

Dimensions

