

Butterfly valve with Lug types

- For open and closed water systems
- For switching heat generators or cooling machines on/off



Picture may differ from product

Type overview

Type	DN	Kvmax [m ³ /h]	Kvs [m ³ /h]	PN	n(gl)
D6125NL	125	880	260	10 / 16	3.2

Technical data

Functional data	Fluid	Water, water with glycol up to max. 50% vol.
	Fluid temperature	-10...120°C [14...248°F]
	Flow characteristic	0...60% opening angle: equal percentage (VDI/VDE 2173) 0...100% opening angle: S-form
	Leakage rate	tight, leakage rateA (EN 12266-1)
	Angle of rotation	90°
	Pipe connection	Flange according to ISO 7005-2 according to EN 1092-2
	Installation orientation	upright to horizontal (in relation to the spindle)
	Servicing	maintenance-free
	Materials	Valve body
Body finish		polyester powder coated
Closing element		Stainless steel AISI 304 (1.4301)
Spindle		Stainless steel AISI 420 (1.4021)
Spindle seal		EPDM O-ring
Spindle bearing		RPTFE
Seat		EPDM

Safety notes


- The valve has been designed for use in stationary heating, ventilation and air-conditioning systems and must not be used outside the specified field of application, especially in aircraft or in any other airborne means of transport.
- Only authorised specialists may carry out installation. All applicable legal or institutional installation regulations must be complied with during installation.
- The valve does not contain any parts that can be replaced or repaired by the user.
- The valve may not be disposed of as household refuse. All locally valid regulations and requirements must be observed.
- When determining the flow rate characteristic of controlled devices, the recognised directives must be observed.
- The damper must be opened and closed slowly in order to avoid hydronic shocks in the pipe system.

Product features

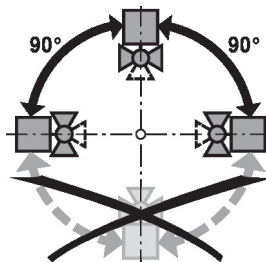
- Operating mode** The butterfly valve is opened or closed completely by an open/close rotary actuator. Continuous rotary actuators are connected by a commercially available controller and move the valve to any position desired. The valve disk made of stainless steel is pressed into the soft-sealing EPDM seat by a rotary movement and ensures leakage rate A (tight). The pressure losses are slight in the open position and the Kv value is at a maximum.
- Manual override** Manual throttling or isolation can be carried out with a lever or a worm gear (see «Accessories»).
- With lever (DN 25...150): Adjustable in 10 ratchet steps with position indication (0 = 0° (angle); 9 = 90° (angle))
 - With worm gear (DN 25...700): steplessly adjustable (self-locking) with position indication.

Accessories

Mechanical accessories	Description	Type
	Worm gear for butterfly valves DN 125...300	ZD6N-S150
	Lever for butterfly valves DN 125...150	ZD6N-H150

Installation notes

- Permissible installation orientation** The butterfly valves may be mounted upright to horizontal. The butterfly valves may not be installed in a hanging position i.e. with the spindle pointing downwards.



- Water quality requirements** The water quality requirements specified in VDI 2035 must be adhered to.

Installation notes

Servicing Butterfly valves and rotary actuators are maintenance-free.

Before any service work on the control element is carried out, it is essential to isolate the rotary actuator from the power supply (by unplugging the electrical cable if necessary). Any pumps in the part of the piping system concerned must also be switched off and the appropriate slide valves closed (allow all components to cool down first if necessary and always reduce the system pressure to ambient pressure level).

The system must not be returned to service until the butterfly valve and the rotary actuator have been reassembled correctly in accordance with the instructions and the pipeline has been refilled by professionally trained personnel.

To avoid a torque increase during off season shut down, exercise the butterfly valve (full open and close) at least once a month.

Flow setting The Belimo butterfly valves have an approximate equal percentage characteristic curve between 0...60% opening angle.

The following table shows the respective Kv values in relation to the opening angle (%).

		10%	20%	30%	40%	50%	60%	70%	80%	90%	100%
DN 25	Kv (m3/h)	0.1	2	6	10	15	24	36	46	48	50
DN 32	Kv (m3/h)	0.1	2	6	11	15	25	38	49	51	55
DN 40	Kv (m3/h)	0.1	2	6	11	16	27	41	59	62	65
DN 50	Kv (m3/h)	0.1	2	6	11	18	30	45	67	90	100
DN 65	Kv (m3/h)	0.1	4	9	17	30	50	76	110	160	170
DN 80	Kv (m3/h)	0.2	6	13	26	50	75	120	170	240	260
DN 100	Kv (m3/h)	0.2	12	26	50	90	150	230	350	480	520
DN 125	Kv (m3/h)	0.4	20	40	90	160	260	400	590	810	880
DN 150	Kv (m3/h)	1	30	70	140	250	400	620	910	1260	1400
DN 350	Kv (m3/h)	5	240	520	1050	1860	3010	4640	6880	9470	10300
DN 400	Kv (m3/h)	6	320	720	1450	2560	4140	6380	9460	13030	14200
DN 450	Kv (m3/h)	9	430	950	1920	3400	5490	8460	12530	17250	18800
DN 500	Kv (m3/h)	11	550	1220	2460	4370	7060	10870	16110	22190	24100
DN 600	Kv (m3/h)	17	850	1880	3800	6740	10900	16800	24890	34280	37300
DN 700	Kv (m3/h)	28	1260	2670	4700	7400	11760	17960	27340	37910	42800



Configuration linear characteristic curve The flow characteristic can be set to linear using Belimo Assistant 2.

The following table shows the respective Kv values in relation to the control signal (%).

		10%	20%	30%	40%	50%	60%	70%	80%	90%	100%
DN 100	Kv (m3/h)	52	104	156	208	260	312	364	416	468	520
DN 125	Kv (m3/h)	88	176	264	352	440	528	616	704	792	880
DN 150	Kv (m3/h)	140	280	420	560	700	840	980	1120	1260	1400

Differential and close-off pressure

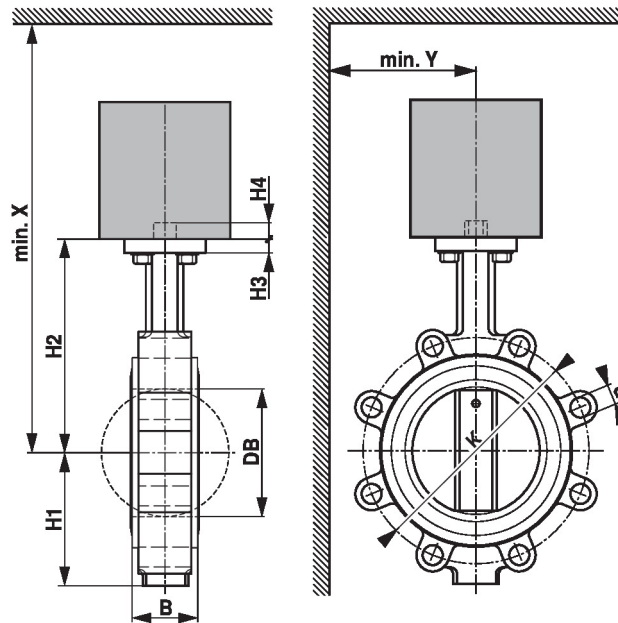
The maximum differential and close-off pressure of butterfly valves depends on diameter and type of the mounted actuator.

To ensure optimum operation and maximum service life, the maximum differential and close-off pressure must not be exceeded.

Please refer to the corresponding table of values in the notes for project planning.

Dimensions

Dimensional drawings



Type	DN	B [mm]	DB [mm]	H1 [mm]	H2 [mm]	H3 [mm]	H4 [mm]	d (PN10) K (PN10) [mm]
D6125NL	125	56	122	122	194	15	19	8 x M16 210

d (PN16) K (PN16) [mm]	X [mm]	Y [mm]	kg
8 x M16 210	530	210	7.7

Further documentation

- The complete product range for water applications
- Data sheets for actuators
- Installation instructions for actuators and/or butterfly valves
- General notes for project planning