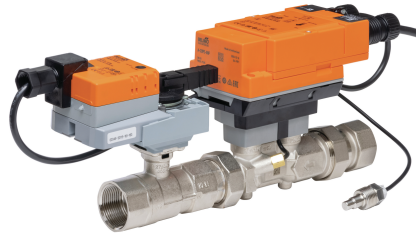


- Nominal voltage AC/DC 24 V
- Control modulating, communicative, hybrid, Cloud

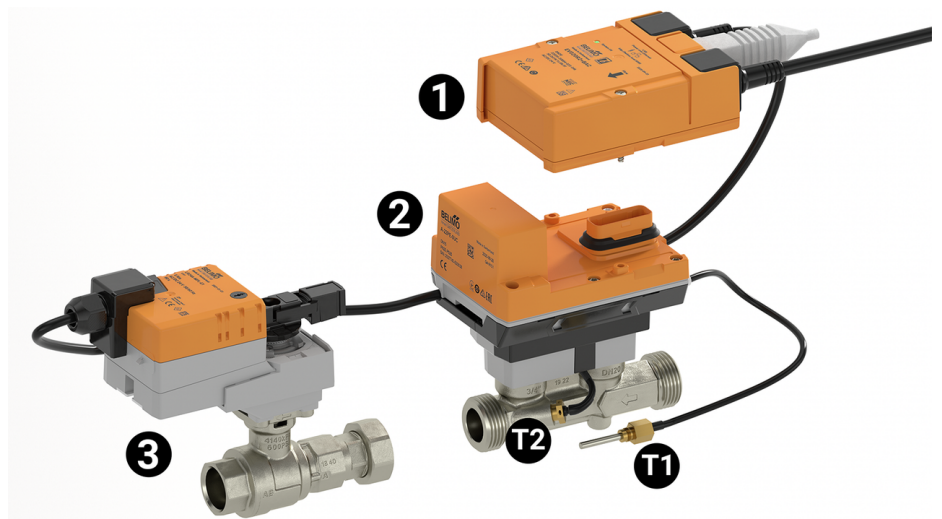


Structure

Components The Belimo Energy Valve consists of a characterised control valve, an actuator and a thermal energy meter with a logic and a sensor module.

The logic module provides the power supply, the communication interface and the NFC connection of the energy meter. All relevant data are measured and recorded in the sensor module.

This modular design of the energy meter means that the logic module can remain in the system if the sensor module is replaced.



- External temperature sensor T1
- Integrated temperature sensor T2
- Logic module 1
- Sensor module 2
- Characterised control valve with actuator 3

Technical data

| Electrical data | | |
|-----------------------------------|--------------------------------------------------------------------------------------------------------------------------|--|
| Nominal voltage | AC/DC 24 V | |
| Nominal voltage frequency | 50/60 Hz | |
| Nominal voltage range | AC 19.2...28.8 V / DC 21.6...28.8 V | |
| Power consumption in operation | 14 W | |
| Power consumption for wire sizing | 23 VA | |
| Connection Ethernet | RJ45 socket | |
| Power over Ethernet PoE | DC 37...57 V 11 W (PD13W) | |
| Conductors, cables | AC/DC 24 V, cable length <100 m, no shielding or twisting required Shielded cables are recommended for supply via PoE | |

| | | |
|--------------------------------|-------------------------------------------|--------------------------------------------------------------------------------------------------------|
| Data bus communication | Communicative control | BACnet/IP, BACnet MS/TP Modbus TCP, Modbus RTU MP-Bus Cloud |
| Functional data | Valve size [mm] | 1" [25] |
| | Operating range Y | 2...10 V |
| | Operating range Y note | 4...20 mA w/ ZG-R01 (500 Ω, 1/4 W resistor) |
| | Input impedance | 100 kΩ (0.1 mA), 500 Ω |
| | Operating modes optional | VDC variable |
| | Position feedback U | 2...10 V |
| | Position feedback U variable | VDC variable |
| | Running time motor | 90 s |
| | Running time fail-safe | <35 s |
| | Sound power level, fail-safe | 45 dB(A) |
| | Control accuracy | ±5% |
| | Min. controllable flow | 1% of V'nom |
| | Fluid temperature | -10...120°C [14...250°F] |
| | Close-off pressure Δps | 200 psi |
| | Body Pressure Rating | 360 psi |
| | GPM | 18.2 |
| | Pipe connection | Internal thread NPT (female) |
| | Servicing | maintenance-free |
| | Manual override | external push button |
| Measuring data | Measured values | Flow Temperature |
| | Temperature sensor | Pt1000 - EN 60751, 2-wire technology, inseparably connected Cable length external sensor T1: 3 m |
| Temperature measurement | Measuring accuracy absolute temperature | ± 0.35°C @ 10°C (Pt1000 EN60751 Class B) ± 0.6°C @ 60°C (Pt1000 EN60751 Class B) |
| | Measuring accuracy temperature difference | ±0.22 K @ ΔT = 10 K ±0.32 K @ ΔT = 20 K |
| | Resolution | 0.05°C |
| Flow measurement | Measuring accuracy flow | ±2%* |
| | Measurement repeatability | ±0.5% (Flow) |
| | Sensor technology | Ultrasonic with glycol and temperature compensation |
| Safety data | Power source UL | Class 2 Supply |
| | Degree of protection IEC/EN | IP54 IP54 when using protective cap or protective grommet for RJ45 socket. Sensor module: IP65 |
| | Degree of protection NEMA/UL | NEMA 1 |
| | Enclosure | UL Enclosure Type 1 |
| | Quality Standard | ISO 9001 |
| | UL 2043 Compliant | Suitable for use in air plenums per Section 300.22(C) of the NEC and Section 602 of the IMC |

Technical data

| | | |
|--------------------|---------------------|-----------------------------|
| Safety data | Ambient humidity | Max. 95% RH, non-condensing |
| | Ambient temperature | -30...50°C [-22...122°F] |
| | Storage temperature | -40...80°C [-40...176°F] |
| Materials | Valve body | Nickel-plated brass body |
| | Flow measuring pipe | Brass body nickel-plated |
| | Spindle | Stainless steel |
| | Spindle seal | EPDM (lubricated) |
| | Seat | PTFE |
| | Characterised disc | TEFZEL® |
| | O-ring | EPDM |
| | Ball | Stainless steel |

Safety notes


- This device has been designed for use in stationary heating, ventilation and air-conditioning systems and must not be used outside the specified field of application, especially in aircraft or in any other airborne means of transport.
- Outdoor application: only possible in case that no (sea) water, snow, ice, insolation or aggressive gases interfere directly with the device and that it is ensured that the ambient conditions remain within the thresholds according to the data sheet at any time.
- Only authorised specialists may carry out installation. All applicable legal or institutional installation regulations must be complied with during installation.
- The device contains electrical and electronic components and must not be disposed of as household refuse. All locally valid regulations and requirements must be observed.

Product features

Operating mode The HVAC performance device is comprised of four components: characterised control valve (CCV), measuring pipe with flow sensor, temperature sensors and the actuator itself. The adjusted maximum flow (V'max) is assigned to the maximum control signal DDC (typically 10 V / 100%). Alternatively, the control signal DDC can be assigned to the valve opening angle or to the power required on the heat exchanger (see power control). The HVAC performance device can be controlled via communicative or analogue signals. The fluid is detected by the sensor in the measuring pipe and is applied as the flow value. The measured value is balanced with the setpoint. The actuator corrects the deviation by changing the valve position. The angle of rotation α varies according to the differential pressure through the control element (see flow curves).

PoE (Power over Ethernet) If necessary, the thermal energy meter can be supplied with power via the Ethernet cable. This function can be enabled via the Belimo Assistant App.
 DC 24 V (max. 8 W) is available at wires 1 and 2 for power supply of external devices (e.g. actuator or active sensor).
 Caution: PoE may only be enabled if an external device is connected to wires 1 and 2 or if wires 1 and 2 are insulated!

Accessories

| Replacement sensor modules | Description | Type |
|----------------------------|----------------------------------------|------------|
| | T-piece with thermowell DN 1/2" [15] | A-22PE-A09 |
| | T-piece with thermowell DN 3/4" [20] | A-22PE-A10 |
| | T-piece with thermowell DN 1" [25] | A-22PE-A11 |
| | T-piece with thermowell DN 1 1/4" [32] | A-22PE-A12 |
| | T-piece with thermowell DN 1 1/2" [40] | A-22PE-A13 |
| | T-piece with thermowell DN 2" [50] | A-22PE-A14 |

Accessories

| Tools | Description | Type |
|---------|-------------------------------------------------------------------|------------|
| | Converter Bluetooth / NFC | ZIP-BT-NFC |
| Sensors | Description | Type |
| | Differential pressure sensor Water, 0...15 psi, active, 0...10 V | 22WDP-511 |
| | Differential pressure sensor Water, 0...30 psi, active, 0...10 V | 22WDP-512 |
| | Differential pressure sensor Water, 0...50 psi, active, 0...10 V | 22WDP-514 |
| | Differential pressure sensor Water, 0...100 psi, active, 0...10 V | 22WDP-515 |

Electrical installation



Supply from isolating transformer.

Parallel connection of other actuators possible. Observe the performance data.

The wiring of the line for BACnet MS/TP / Modbus RTU is to be carried out in accordance with applicable RS-485 regulations.

Modbus / BACnet: Supply and communication are not galvanically isolated. Connect earth signal of the devices with one another.

Sensor connection: An additional sensor can optionally be connected to the thermal energy meter. This can be a passive resistance sensor Pt1000, Ni1000, NTC10k (10k2), an active sensor with output DC 0...10 V or a switching contact. Thus the analogue signal of the sensor can be easily digitised with the thermal energy meter and transferred to the corresponding bus system.

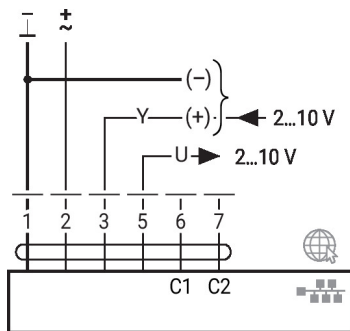
Analogue output: An analogue output (wire 5) is available on the thermal energy meter. It can be selected as DC 0...10 V, DC 0.5...10 V or DC 2...10 V. For example, the flow rate or the temperature of the temperature sensor T1/T2 can be output as an analogue value.

Wire colours:

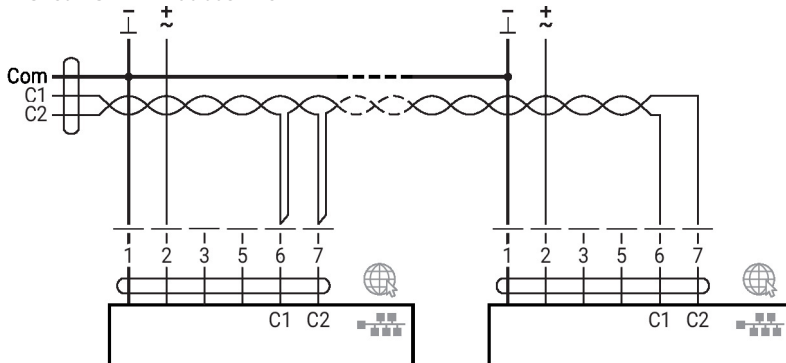
- 1 = black
- 2 = red
- 3 = white
- 5 = orange
- 6 = pink
- 7 = grey

Functions:

- 1 = Com
- 2 = AC/DC 24 V
- 3 = Sensor (optional)
- 5 = 0...10 V, MP-Bus
- C1 = D- = A (wire 6)
- C2 = D+ = B (wire 7)

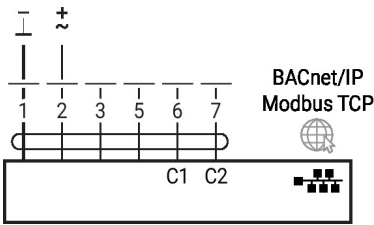


BACnet MS/TP / Modbus RTU

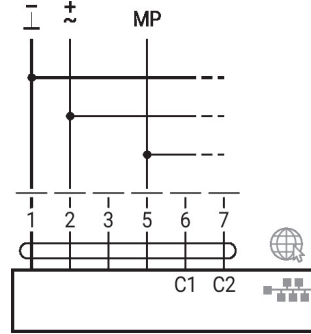


Electrical installation

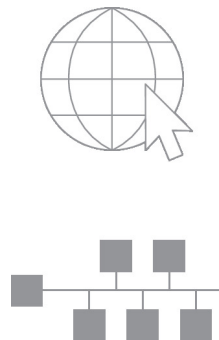
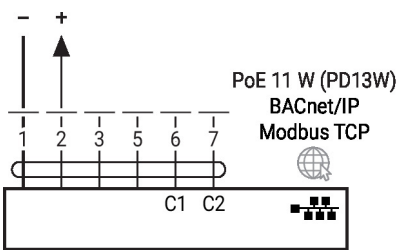
BACnet/IP / Modbus TCP



MP-Bus, supply via 3-wire connection



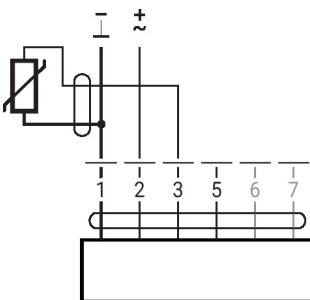
PoE with BACnet/IP / Modbus TCP



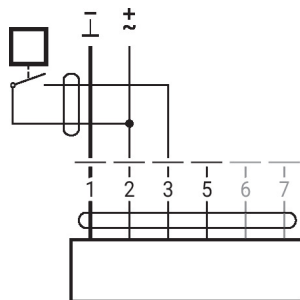
Connection of a notebook for parametrisation and manual control via RJ45.

Optional connection via RJ45 (direct connection to notebook / connection via Intranet or Internet) for access to the integrated web server

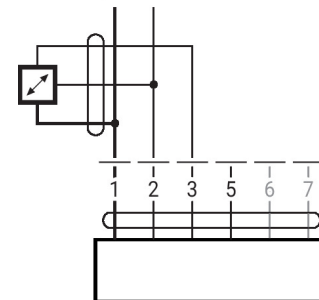
Connection with passive sensor



Connection with switching contact



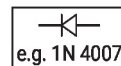
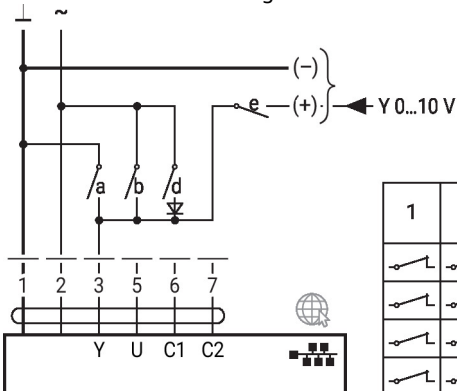
Connection with active sensor



Functions

Functions with specific parameters (parametrisation necessary)

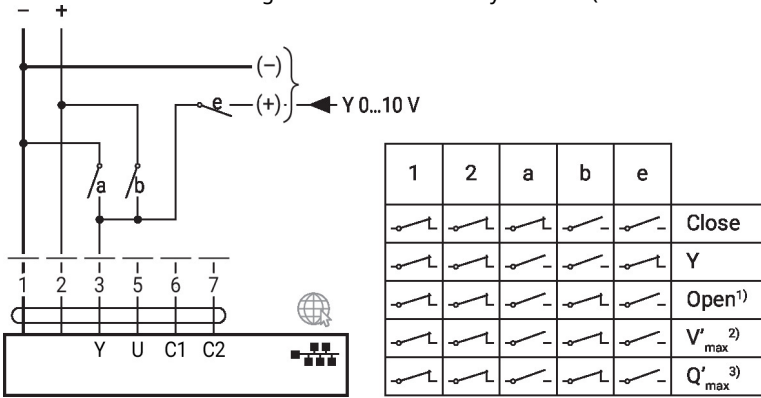
Override control and limiting with AC 24 V with relay contacts



| 1 | 2 | a | b | d | e | |
|---|---|---|---|---|---|------------------|
| | | | | | | Close |
| | | | | | | V _{max} |
| | | | | | | Open |
| | | | | | | Y |

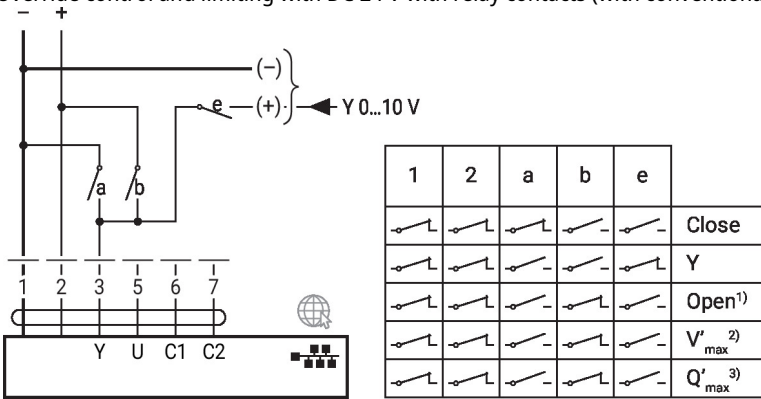
Functions with specific parameters (parametrisation necessary)

Override control and limiting with DC 24 V with relay contacts (with conventional control or hybrid mode)



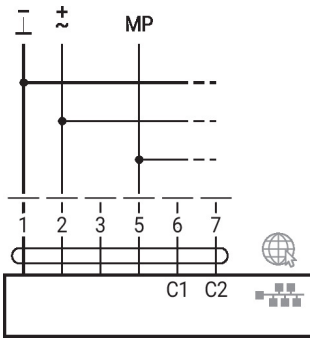
- 1) Position control
- 2) Flow control
- 3) Power control

Override control and limiting with DC 24 V with relay contacts (with conventional control or hybrid mode)

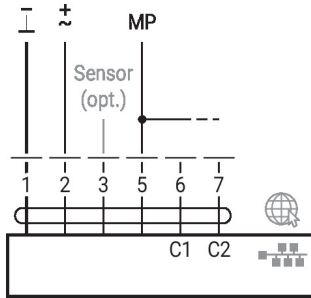


- 1) Position control
- 2) Flow control
- 3) Power control

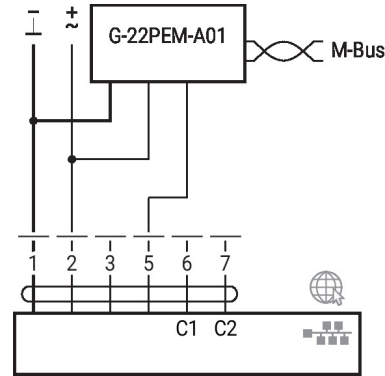
MP-Bus, supply via 3-wire connection



MP-Bus via 2-wire connection, local power supply



M-Bus with converter



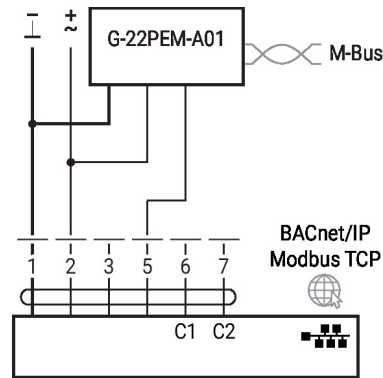
Functions

Functions with specific parameters (parametrisation necessary)

M-Bus with converter in parallel mode with PoE with BACnet/IP / Modbus TCP



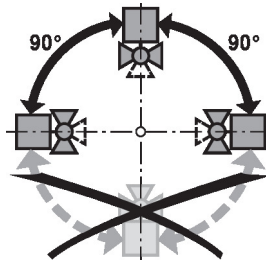
M-Bus with converter in parallel mode with BACnet/IP / Modbus TCP



Installation notes

Permissible installation orientation

The ball valve can be installed upright to horizontal. The ball valve may not be installed in a hanging position, i.e. with the spindle pointing downwards.



Installation location in return

Installation in the return is recommended.

Water quality requirements

The water quality requirements specified in VDI 2035 must be adhered to. Belimo valves are regulating devices. For the valves to function correctly in the long term, they must be kept free from particle debris (e.g. welding beads during installation work). The installation of a suitable strainer is recommended.

Servicing

Ball valves, rotary actuators and sensors are maintenance-free. Before any service work on the control element is carried out, it is essential to isolate the rotary actuator from the power supply (by unplugging the electrical cable if necessary). Any pumps in the part of the piping system concerned must also be switched off and the appropriate slide valves closed (allow all components to cool down first if necessary and always reduce the system pressure to ambient pressure level). The system must not be returned to service until the ball valve and the rotary actuator have been correctly reassembled in accordance with the instructions and the pipeline has been refilled by professionally trained personnel.

Flow direction

The direction of flow, specified by an arrow on the housing, is to be complied with, since otherwise the flow rate will be measured incorrectly.

Cleaning of pipes

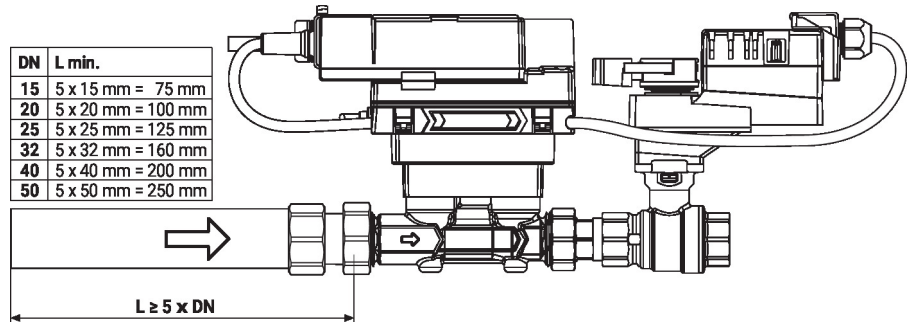
Before installing the thermal energy meter, the circuit must be thoroughly rinsed to remove impurities.

Prevention of stresses

The thermal energy meter must not be subjected to excessive stress caused by pipes or fittings.

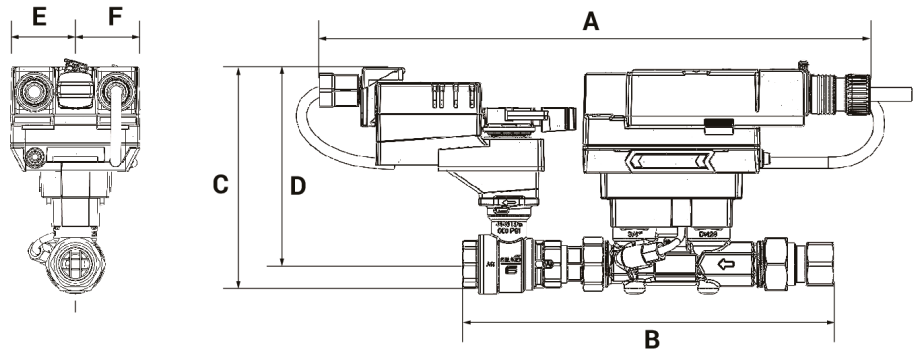
Installation notes

Inlet section In order to achieve the specified measuring accuracy, a flow-calming section or inflow section in the direction of the flow is to be provided upstream from the flow sensor. Its dimensions should be at least 5x DN.



Dimensions

Dimensional drawings



Type

EV100+AKRX-E

Weight

3.7 kg

| A | B | C | D | E | F |
|-------------|-------------|-----|------------|-----------|----|
| 17.4" [443] | 11.1" [282] | 163 | 5.5" [140] | 1.8" [46] | 46 |