

Room application box for the cost-effective connection of 24V room climate units such as:
 VAV controllers, room controllers, actuators, sensors, etc.

- Central and clear wiring
- Power supply: Local (230 V) or BUS (24 V) selectable
- Terminal blocks for Belimo room controller available
- Connection socket for Belimo tools
- Option to connect the relevant field devices to:
 - 2x MP-Bus or
 - 1x Modbus or 1x BACnet or 1x KNX



Technical data

Electrical data	Supply voltage	AC 230V, 50/60 Hz			
	Operating range	AC 198...264 V			
	Output Voltage Power Supply	DC 24 V			
	Rated Power Power Supply	20 W max. (Self-consumption < 0.5 W)			
	Galvanic isolation	No			
Standards		CE und EMV Requirement met			
Functional data	Connections	X1	230VAC	(Power supply)	max. 3 x 2,5 mm ²
		X2	BUS	(Input)	max. 7 x 2.5 mm ²
	X1 – X6:	X3	BUS	(Output)	max. 7 x 2.5 mm ²
	Spring-loaded terminals	X4	Regler	(Controls)	max. 12 x 1.5 mm ²
		X5	Eingänge	(to the controller)	max. 8 x 1.5 mm ²
	X7 – X9:	X6	3-Punkt	(from the controller)	max. 6 x 1.5 mm ²
	Push-in connections	X7	Act. 1 ZUL	(actuator 1)	max. 6 x 1.5 mm ²
		X8	Act. 2 ABL	(actuator 2)	max. 6 x 1.5 mm ²
		X9	HZ/KÜ	(AO Ausg.)	max. 4 x 1.5 mm ²
		X10	Service	(Tool)	RJ12
Switches	S1:	Power Source			
		x Pos. 1	230V		
		Pos. 2	Bus	(24V via Bus terminals)	
	S2:	Operating Mode			
	Pos. 1	M/S	(Master / Slave)		
	x Pos. 2	Par	(Parallel)		
	Pos. 3	M/M	(Master / Master)		
S3:	Service				
	x Pos. 1	MP-Bus	(MP 1 or MP 2)		
	Pos. 2	Act.	(Act. 1 or Act. 2)		
S4:	Range				
	x Pos. 1	MP 1 or. Act. 1			
	Pos. 2	MP 2 or. Act. 2			
		x = default			
Service socket for Belimo tools (z.B. Assistant 2,)		RJ12 Connection, switchable by switch S3/S4:			
LED Show	Orange ☒	H2:	Off	= S3 Pos. 1	
			On	= S3 Pos. 2 (Act. 1+2 are separated from the MP bus)	
	Green ☒	H3:	Off	= 24V Voltage <u>not</u> present	
			On	= 24V Voltage available	
Safety data	Protection class	II Protective insulation			
	Degree of protection	IP52			
	Ambient temperature	-30° ... +40°C (+50°C max. 15 W)			
	Storage Temperature	-40° ... +80°C			
	Ambient humidity	95% r.H., non-condensing (EN 60730-1)			
Maintenance	Maintenance-free				
Dimensions	L x B x H	180 x 130 x 60 mm			

Safety notes



- Installation must be carried out by trained specialists.
- During installation, the legal and official regulations must be observed.
- The device contains electrical and electronic components and must not be disposed of as household waste.
- The local and currently valid legislation must be observed.

Product Features

Mode of action

The goal of the room application box is to reduce the simplification of electrical and indoor climate installation to the essential components.

With this structured box, the electrician can easily carry out the wiring and control it at the same time.

Pre-assembled and labeled connectors on Belimo's MP, MOD or KNX drives prevent wiring errors and ensure faster installation and commissioning.

With the room application box, the various applications such as VAV, heating, cooling ceilings, etc. can be easily implemented in connection with various controllers and tap changers from Belimo.

2 MP bus strings or 1 Modbus or 1 KNX bus can be connected to the room application box. The MP bus thus provides a simple cabling solution for Supply- and Exhaust-Air fan control.

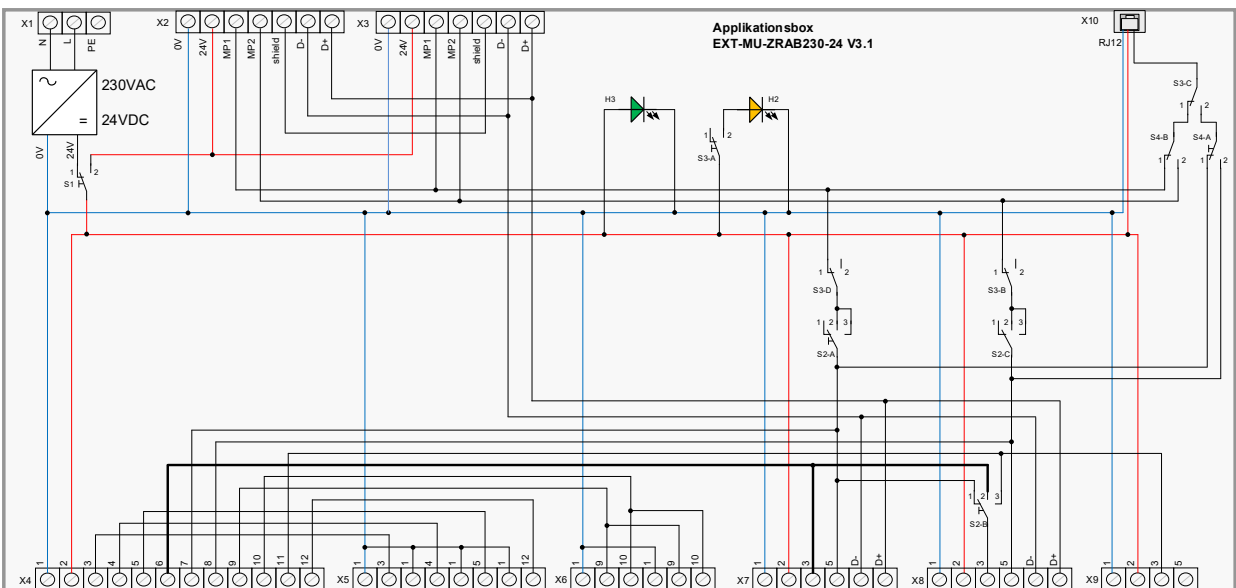
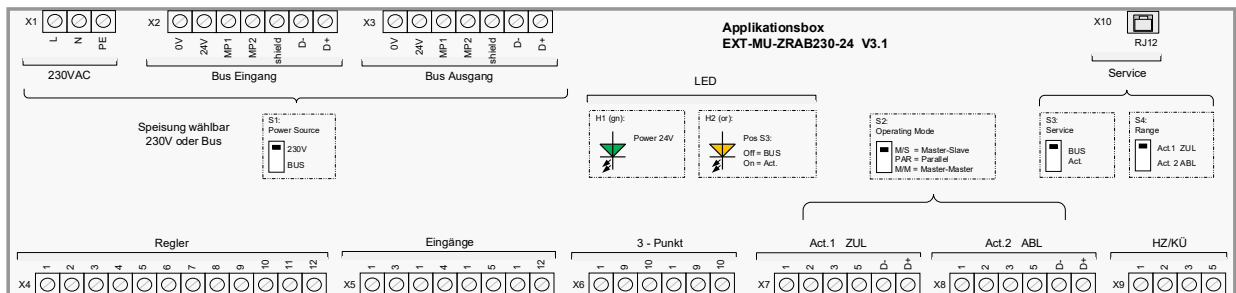
The RJ12 diagnostic connector makes it possible to parameterize or check the MP, MOD or KNX drives from Belimo independently of the bus.

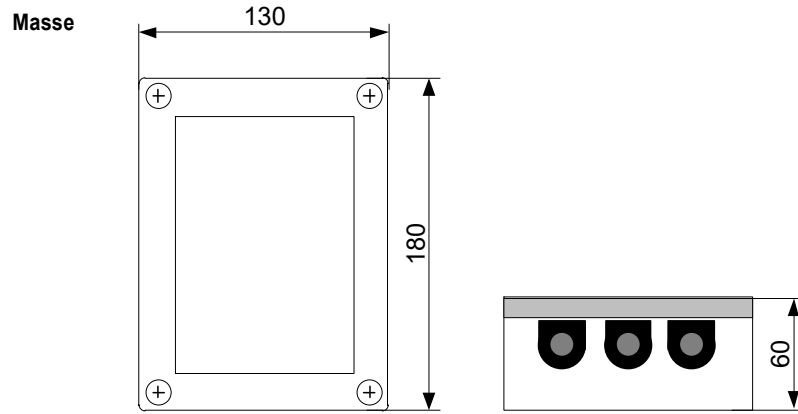
To prevent a bus collision (in the case of the MP bus) with two MP masters, the connected MP drives can be isolated from the MP bus via the S3 switch (Pos. Act.) without any additional tools. With the switch S4 you can then choose whether the tool accesses drive 1 or drive 2.

If MP communication is to be tested (monitoring via MP monitor), there is a diagnostic option from each box.

The switch S3 must be in the "Bus" position.

Electrical installation





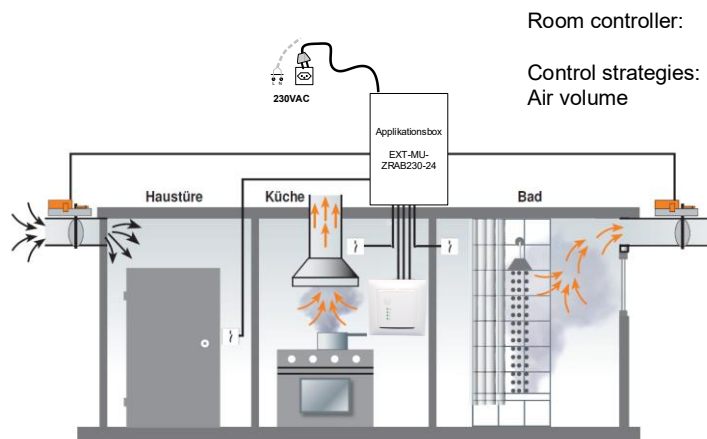
Accessories

Description

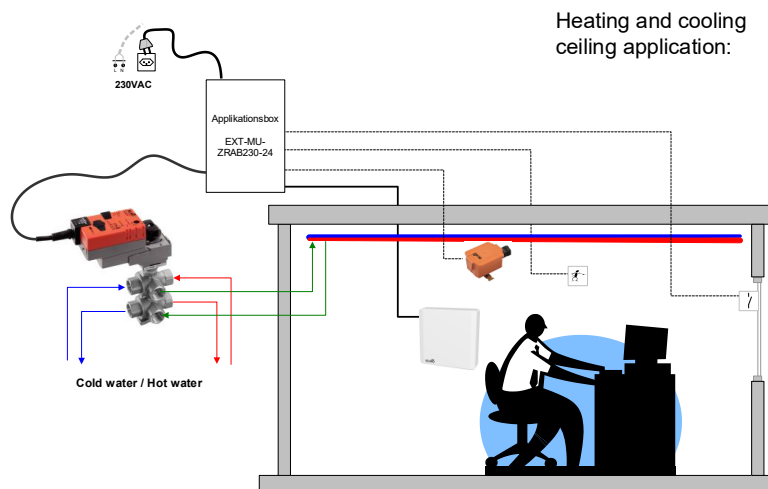
EXT-SN-RBE05-S4-BE	4-step switch, room control unit for flush-mounted installation in Feller EDIZIOdue® design.
EXT-MU-ZRAB-P0-10	Setpoint transmitter for installation in the application box in conjunction with a step switch.

Application examples

**Apartment ventilation
(Room Control)**



**Heating and cooling ceiling
(Zone regulation)**



Other applications possible: Ask your Belimo representative

