

2- and 3-way zone valves with rotary actuator

- Nominal voltage AC 230 V
- Open/Close control
- Deenergised NC, valve closed
- Inverted Flare 5/8"



Overview of types

| | Type | k_{vs} | DN | IFL | Δp_s | Weight |
|--------------|-----------------|-----------------------|-------|------|--------------|---------|
| 2-way valves | EXT-SW-F582V4C1 | 0,9 m ³ /h | 15 mm | 5/8" | 1,0 bar | 0,75 kg |
| | EXT-SW-F582V4C2 | 2,2 m ³ /h | 15 mm | 5/8" | 1,0 bar | 0,75 kg |
| | EXT-SW-F582V4C3 | 3,0 m ³ /h | 15 mm | 5/8" | 1,0 bar | 0,75 kg |
| 3-way valves | EXT-SW-F583V4C1 | 1,3 m ³ /h | 15 mm | 5/8" | 1,05 bar | 0,80 kg |
| | EXT-SW-F583V4C2 | 2,6 m ³ /h | 15 mm | 5/8" | 1,05 bar | 0,80 kg |
| | EXT-SW-F583V4C3 | 3,4 m ³ /h | 15 mm | 5/8" | 1,05 bar | 0,80 kg |

Technical data

| | | | |
|--------------------------|--|---|-------------------------|
| Valve data | k_{vs} | See «Overview of types» | |
| | DN | See «Overview of types» | |
| | Pipe connector Inverted Flare | 5/8" (18 thread turns / 1 inch) | |
| | Pressure | Rated pressure p_s | 21 bar |
| | | Closing pressure Δp_s | See «Overview of types» |
| | Media | Cold and hot water Water with max 50% volume of glycol | |
| | Leakage rate B – A (2-way), AB – B (3-way) | 1 (tight) | |
| Materials | Valve body | Forged brass | |
| | Spindle | Nickel-plated brass | |
| | Seat | Brass | |
| | Seal | NBR | |
| Electrical data actuator | Nominal voltage | AC 230 V, 50/60 Hz | |
| | Power consumption | In operation | 6.5 W |
| | | For wire sizing | 7 VA |
| Connection | Cable 50 cm, 3 x 0.75 mm ² | | |
| Functional data actuator | Manual override | Yes (permanent) | |
| | Running time | Motor | <18 s |
| | | Spring-return | <5 s |
| | Sound power level | <45 dB (A) when the valve is closing | |
| Safety | Protection class | I Protective earth \perp | |
| | Degree of protection | IP20 | |
| | EMC | CE according to 2004/108/EC | |
| | Low-voltage directive | CE according to 2006/95/EC | |
| | Control pollution degree | 2 | |
| | Ambient temperature | 0 ... +60 °C | |
| | Media temperature | +2 ... +93 °C (in valve) | |
| | Non-operating temperature | -40 ... +71 °C | |
| | Ambient humidity | 93% r.H., non-condensating | |
| | Maintenance | Maintenance-free | |
| Dimensions / Weight | Dimensions | See «Dimensions» | |
| | Weight | See «Overview of types» | |

Safety notes



- The positioning devices have been designed for use in stationary heating, ventilation and air conditioning systems and are not allowed to be used outside the specified field of application, especially in aircraft or in any other airborne means of transport.
- Caution: Power supply voltage !
- It may only be installed by suitably trained personnel. Any legal regulations or regulations issued by authorities must be observed during assembly.
- The device may only be opened at the manufacturer's site. It does not contain any parts that can be replaced or repaired by the user.
- The cable must not be removed from the device.
- The device contains electrical and electronic components and is not allowed to be disposed of as household refuse. All locally valid regulations and requirements must be observed.
- Built-in component, protection against electrical shock and other hazards must be evaluated in the end assembly.

Product features

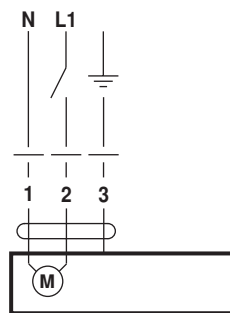
Combination valve/actuators Valve and actuator will be delivered as one unit.

Replacement actuator EXT-SW-V4

Electrical installation

Wiring diagram

Note
Caution: Power supply voltage !

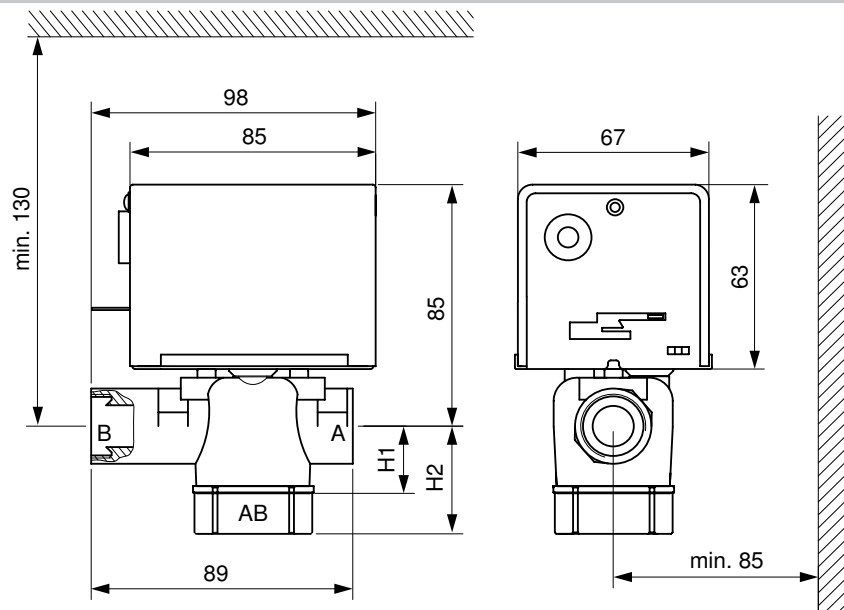


| Rotary actuator | Rotary valve |
|-----------------|--------------|
| L1 | B - A = 0% |
| L1 | B - A = 100% |

| Rotary actuator | Rotary valve |
|-----------------|--|
| L1 | AB - B = 0% AB - A = 100% B - A = 0% |
| L1 | AB - B = 100% AB - A = 0% B - A = 0% |

Dimensions [mm]

Dimensional drawings



| Type | DN | IFL | H1 | H2 |
|------------------|----|------|----|----|
| EXT-SW-F582V4C.. | 15 | 5/8" | 23 | - |
| EXT-SW-F583V4C.. | 15 | 5/8" | - | 37 |

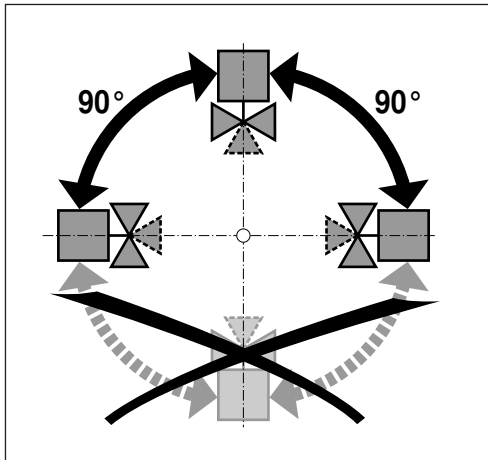
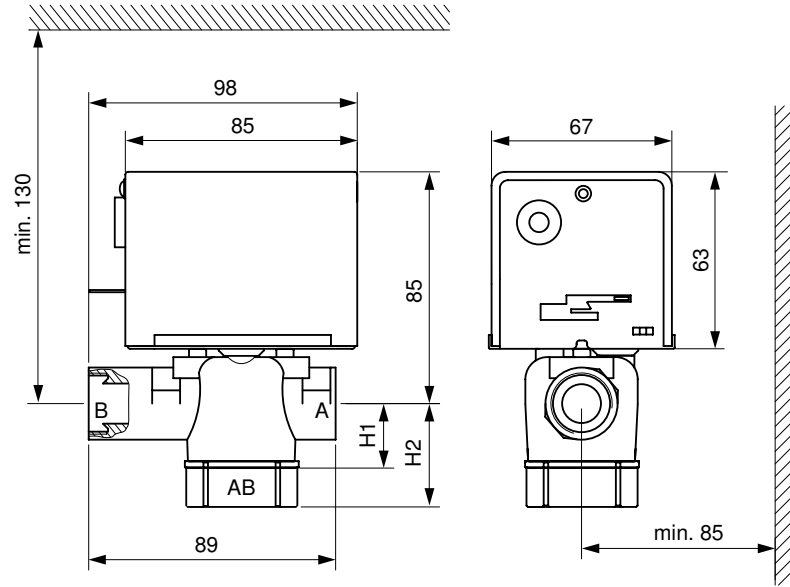
Warranty period Belimo Trade Selection products are assembled by a third party and meet our specifications. Belimo Trade Selection products are covered by our general conditions of sale and are protected by a 2 years warranty from date of delivery.



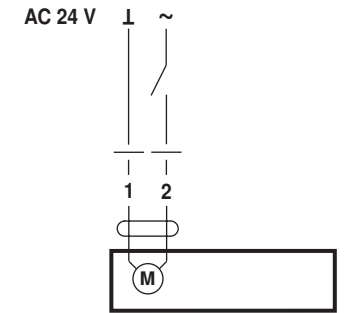
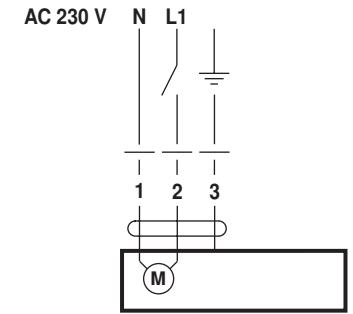
EXT-SW-F582V4C..



EXT-SW-F583V4C..



| | | DN | | mm | |
|------------------|------------------|----|------|----|----|
| | | mm | IFL | H1 | H2 |
| EXT-SW-F582V4C.. | - | 15 | 5/8" | 24 | - |
| - | EXT-SW-F583V4C.. | 15 | 5/8" | - | 37 |



| | → B | ↔ A |
|----|-----|--------------|
| L1 | ↘ | B - A = 0% |
| L1 | ↗ | B - A = 100% |

| | ↖ B | ↗ A | ↔ AB |
|----|-----|---------------|---------------|
| L1 | ↘ | AB - B = 0% | AB - A = 100% |
| L1 | ↗ | B - A = 0% | AB - B = 100% |
| L1 | ↘ | AB - A = 0% | B - A = 0% |
| L1 | ↗ | AB - B = 100% | B - A = 0% |

