



5-year warranty


Technical data

Electrical data	Nominal voltage	AC 120 V
	Nominal voltage frequency	50/60 Hz
	Nominal voltage range	AC 96...132 V
	Power consumption in operation	2 W, 3.5 VA
	Power consumption in rest position	1.5 W, 2.5 VA
	Auxiliary switch	2x SPST, , 1x 10° / 1x 80°
	Connection supply	Cable 1 m, 2x 18 AWG appliance cable with 1/2" NPT conduit connector
	Connection auxiliary switch	Cable 1 m, 6x 18 AWG appliance cable with 1/2" NPT conduit connector
	Electrical connection	7838]
	Overload Protection	electronic throughout 0...95° rotation
Electrical Protection	actuators are double insulated	
Functional data	Torque motor	2 Nm @ 121°C for 30 min
	Direction of motion motor	selectable by ccw/cw mounting
	Direction of motion fail-safe	reversible with cw/ccw mounting
	Angle of rotation	95°
	Running time motor	75 s / 90°
	Running time motor note	@ 121°C
	Running time fail-safe	<25 s @ 0...50°C
	Sound power level, motor	45 dB(A)
	Sound power level, fail-safe	62 dB(A)
	Position indication	Mechanical
Safety data	Degree of protection IEC/EN	IP42
	Degree of protection NEMA/UL	NEMA 2
	Housing	UL Enclosure Type 2
	Agency Listing	cULus acc. to UL60730-1A/-2-14, CAN/CSA E60730-1:02, Listed to UL 2043 - suitable for use in air plenums per Section 300.22(C) of the NEC and Section 602 of the IMC.
	Quality Standard	ISO 9001
	UL 2043 Compliant	Suitable for use in air plenums per Section 300.22(C) of the NEC and Section 602 of the IMC
	Ambient humidity	Max. 95% RH, non-condensing
	Ambient temperature	0...50°C [32...122°F]

Technical data

Safety data	Storage temperature	-40...80°C [-40...176°F]
	Servicing	maintenance-free
Weight	Weight	0.57 kg
Materials	Housing material	UL94-5VA

Safety notes

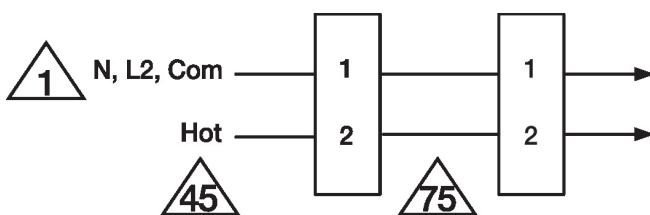

- Screw a conduit fitting into the actuator's bushing. Jacket the actuator's input and output wiring with suitable flexible conduit. Properly terminate the conduit in a suitable junction box.
- Retrofit Safety Note
- Use of the FSTF for replacement of other makes of actuators is limited in damper area. The FSLF is preferred for direct coupled applications. The FSTF may be applied for linkage applications on dampers 1.5 sq.ft. and smaller at velocities under 2000 fpm.

Accessories

Electrical accessories	Description	Type
	Thermoelectric tripping device, Duct inside temperature 165°F	BAE165 US
Mechanical accessories	Description	Type
	Position indicator for TF..	IND-TF
	Ball joint suitable for damper crank arm KH8	KG8 KH-TF US KH-TF-1 US TF-P
	Wrench 8 mm and 10 mm	TOOL-06
	Angle of rotation limiter, with end stop	ZDB-TF ZG-TF2
	Mounting kit for TF..	ZG-TF3
	Weather shield 330x203x152 mm [13x8x6"] (LxWxH)	ZG-TF112 ZS-100
	Weather shield 406x213x102 mm [16x8-3/8x4"] (LxWxH)	ZS-150

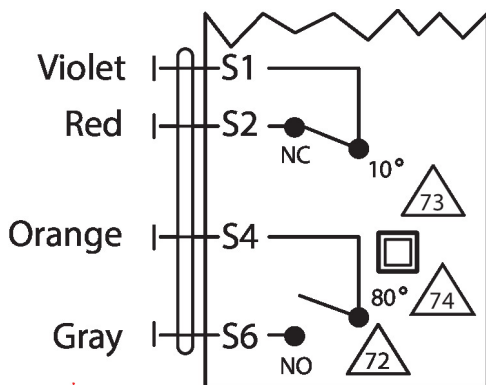
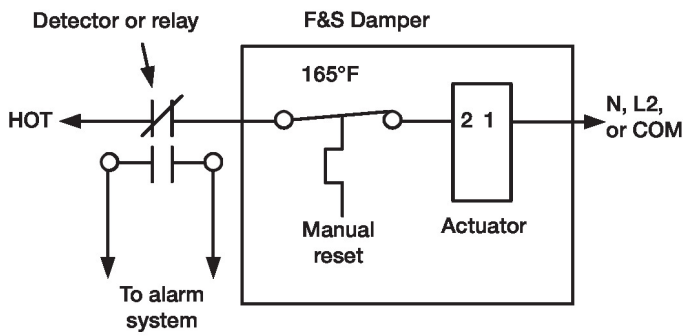
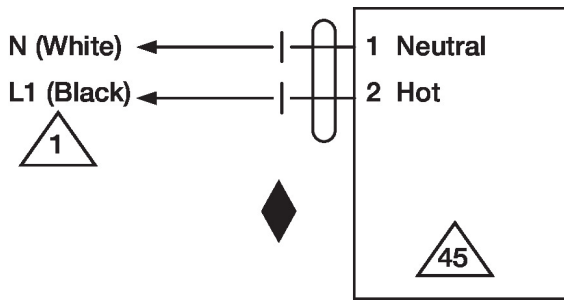
Electrical installation

- Provide overload protection and disconnect as required.
- Actuators may be powered in parallel. Power consumption must be observed.
- S4 makes to S6 when actuator is powered open.
- Auxiliary switches are for end position indication or interlock control.
- Double insulated.
- Ground present on some models.
- Meets cULus requirements without the need of an electrical ground connection.

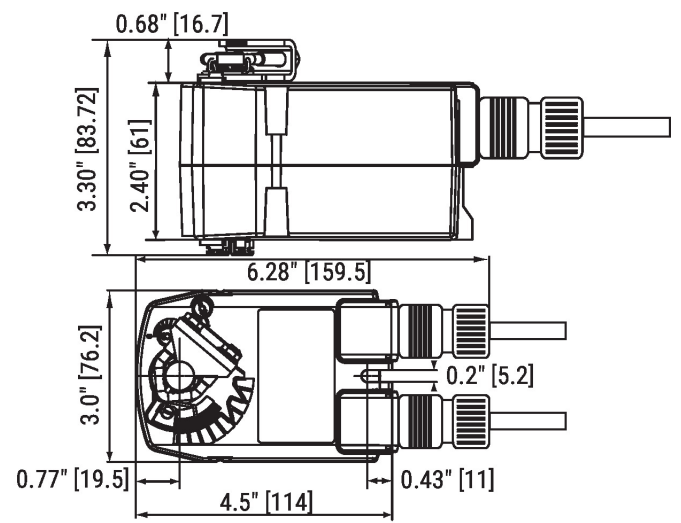


Electrical installation

Wiring diagrams



Dimensions



Standard:

∅ 1/4" to 1/2"

□ 1/4" to 5/16"