

**Globe valve, 2-way, External thread**

- For open and closed cold and warm water systems
- For modulating control of air-handling and heating systems on the water side


**Type overview**

Type	DN	G ["]	kvs [m³/h]	Stroke	PN	n(gl)	Sv min.
H411B	15	1 1/8	0.63	15 mm	16	3	50
H412B	15	1 1/8	1	15 mm	16	3	50
H413B	15	1 1/8	1.6	15 mm	16	3	50
H414B	15	1 1/8	2.5	15 mm	16	3	50
H415B	15	1 1/8	4	15 mm	16	3	50
H420B	20	1 1/4	6.3	15 mm	16	3	100
H425B	25	1 1/2	10	15 mm	16	3	100
H432B	32	2	16	15 mm	16	3	100
H440B	40	2 1/4	25	15 mm	16	3	100
H450B	50	2 3/4	40	15 mm	16	3	100

**Technical data**

<b>Functional data</b>	Fluid	Cold and warm water, water with glycol up to max. 50% vol.
	Fluid temperature	-10...120°C [14...248°F]
	Fluid temperature note	At a fluid temperature of -10...2°C, a spindle heating is needed.
	Flow characteristic	equal percentage (VDI/VDE 2173) n(gl) = 3, optimised in the opening range
	Leakage rate	max. 0.05% of the kvs value
	Closing point	Top (▲)
	Pipe connection	External thread according to ISO 228-1
	Installation position	upright to horizontal (in relation to the stem)
Servicing	maintenance-free	
<b>Materials</b>	Valve body	Red cast brass Rg5
	Closing element	Stainless steel
	Spindle	Stainless steel
	Spindle seal	EPDM O-ring
	Seat	Red cast brass Rg5 / Niro (Bypass)

**Safety notes**



- The valve has been designed for use in stationary heating, ventilation and air-conditioning systems and must not be used outside the specified field of application, especially in aircraft or in any other airborne means of transport.
- Only authorised specialists may carry out installation. All applicable legal or institutional installation regulations must be complied during installation.
- The valve does not contain any parts that can be replaced or repaired by the user.
- The valve may not be disposed of as household refuse. All locally valid regulations and requirements must be observed.
- When determining the flow rate characteristic of controlled devices, the recognised directives must be observed.

**Product features**

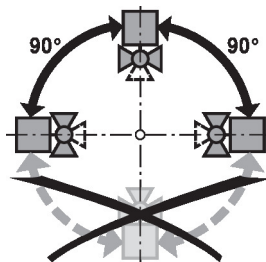
- Mode of operation** The globe valve is adjusted by a globe valve actuator. The actuators are connected by a commercially available modulating or 3-point control system and move the valve cone, which acts as a throttling device, into the opening position dictated by the control signal.
- Flow characteristic** An equal percentage flow characteristic is produced by the profile of the valve cone.
- Fluid velocity** Standard values for low-noise operation in HVAC systems are medium velocities of 1...2 m/s. At fluid velocities above 2 m/s, further flow effects as well as cavitation can occur. This can reduce the service life of a valve depending on the situation.

**Accessories**

Electrical accessories	Description	Type
	Stem heater DN 15...50 (45 W)	ZH24-1
Mechanical accessories	Description	Type
	Pipe connector for globe valve with external thread DN 15 Rp 1/2"	ZH4515
	Pipe connector for globe valve with external thread DN 20 Rp 3/4"	ZH4520
	Pipe connector for globe valve with external thread DN 25 Rp 1"	ZH4525
	Pipe connector for globe valve with external thread DN 32 Rp 1 1/4"	ZH4532
	Pipe connector for globe valve with external thread DN 40 Rp 1 1/2"	ZH4540
	Pipe connector for globe valve with external thread DN 50 Rp 2"	ZH4550

**Installation notes**

- Recommended installation positions** The globe valve may be mounted upright to horizontal. It is not permissible to mount the globe valves with the stem pointing downwards.



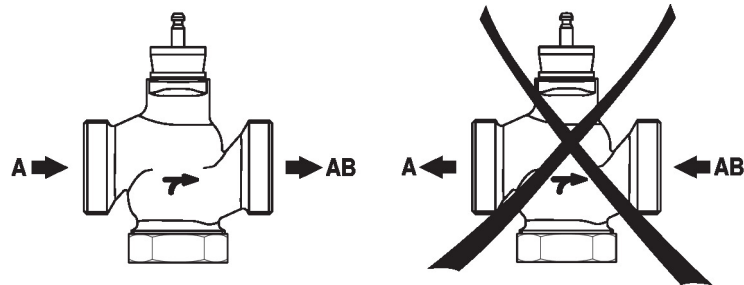
- Water quality requirements** The water quality requirements specified in VDI 2035 must be adhered to. Belimo valves are regulating devices. For the valves to function correctly in the long term, they must be kept free from particle debris (e.g. welding beads during installation work). The installation of a suitable strainer is recommended.

**Servicing** Globe valves and globe valve actuators are maintenance-free.

Before any service work on the control element is carried out, it is essential to isolate the globe valve actuator from the power supply (by unplugging the electrical cables if necessary). Any pumps in the part of the piping system concerned must also be switched off and the appropriate slide valves closed (allow all components to cool down first if necessary and always reduce the system pressure to ambient pressure level).

The system must not be returned to service until the globe valve and the globe valve actuator have been reassembled correctly in accordance with the instructions and the pipeline has been refilled by professionally trained personnel.

**Flow direction** The direction of flow, specified by an arrow on the housing, is to be complied with, since otherwise the valve could become damaged.



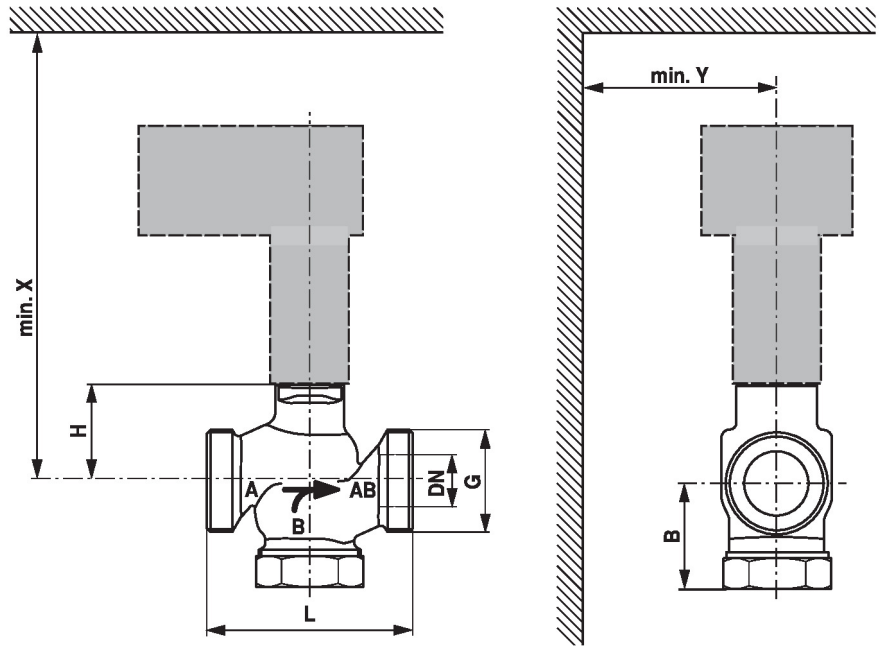
### Differential and close-off pressure

The maximum differential and close-off pressure of globe valves depends on the mounted globe valve actuator. To ensure optimum operation and maximum service life, the maximum differential and close-off pressure in the table below must not be exceeded.

$p_s < 1600 \text{ kPa (PN16)}$ $t = 5 \dots 120^\circ\text{C}$		LV..A.. 500N		NV..A.. 1000N		SV..A.. 1500N	
	DN	$\Delta p_s$ [kPa]	$\Delta p_{max}$ [kPa]	$\Delta p_s$ [kPa]	$\Delta p_{max}$ [kPa]	$\Delta p_s$ [kPa]	$\Delta p_{max}$ [kPa]
H411B ... 15B	15	1300	400	1600	400	1600	400
H420B	20	900	400	1600	400	1600	400
H425B	25	500	400	1300	400	1600	400
H432B	32	350	350	1000	400	1600	400
H440B	40	150	150	500	400	900	400
H450B	50	70	70	300	300	550	400

## Dimensions

## Dimensional drawings



X/Y: Minimum distance with respect to the valve centre.

The actuator dimensions can be found on the respective actuator data sheet.

Type	DN	G ["]	L [mm]	B [mm]	H [mm]	X [mm]	Y [mm]	 kg
H411B	15	1 1/8	80	65	46	290	100	1.3
H412R	15	1 1/8	80	65	46	290	100	1.3
H413B	15	1 1/8	80	65	46	290	100	1.9
H414B	15	1 1/8	80	65	46	290	100	1.9
H415B	15	1 1/8	80	65	46	290	100	1.9
H420B	20	1 1/4	90	65	46	290	100	2.1
H425B	25	1 1/2	110	66	52	300	100	2.3
H432B	32	2	120	67	56	300	100	2.9
H440B	40	2 1/4	130	72	65	310	100	3.5
H450B	50	2 3/4	150	75	65	310	100	3.8

## Further documentation

- The complete product range for water applications
- Data sheets for globe valve actuators
- Installation instructions for valves and/or globe valve actuators
- Notes for project planning 2-way and 3-way globe valves