

2-way globe valve, 2-way, Flange, PN 16

- For closed (high temperature) hot water and steam systems in the non-critical range
- For modulating control of air-handling and heating systems on the water side



Type overview

Type	DN	Rp ["]	kvs [m³/h]	Stroke	PN	n(gl)	Sv min.
H665SP-Q	65	2 1/2	63	20 mm	16	3	50
H680SP-R	80	3	100	30 mm	16	3	50
H6100SP-S	100	4	160	40 mm	16	3	50
H6125SP-T	125	5	250	40 mm	16	3	50
H6150SP-T	150	4	350	40 mm	16	3	50
H6200SP-U	200	8	520	40 mm	16	3	50
H6250SP-V	250	10	700	40 mm	16	3	50

Technical data

Functional data	Fluid	Cold, warm and hot water, water with glycol up to max. 50% vol.
	Fluid temperature	0...150°C [32...302°F]
	Close-off pressure Δp_s	1600 kPa
	Flow characteristic	equal percentage (VDI/VDE 2173) n(gl) = 3, optimised in the opening range
	Leakage rate	max. 0.02% of the kvs value
	Closing point	Top (▲)
	Pipe connection	Flange PN 16 according to ISO 7005-2
	Installation position	upright to horizontal (in relation to the stem)
Materials	Servicing	maintenance-free
	Valve body	Ductile cast iron GGG40
	Closing element	Stainless steel AISI 304
	Spindle	Stainless steel AISI 304 (DN 65, 100, 150, 250) Stainless steel (DN 80, 125, 200)
	Spindle seal	PTFE
	Seat	Stainless steel AISI 304

Safety notes



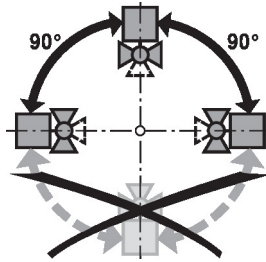
- The valve has been designed for use in stationary heating, ventilation and air-conditioning systems and must not be used outside the specified field of application, especially in aircraft or in any other airborne means of transport.
- Only authorised specialists may carry out installation. All applicable legal or institutional installation regulations must be complied during installation.
- The valve does not contain any parts that can be replaced or repaired by the user.
- The valve may not be disposed of as household refuse. All locally valid regulations and requirements must be observed.
- When determining the flow rate characteristic of controlled devices, the recognised directives must be observed.

Product features

- Mode of operation** The globe valve is adjusted by a globe valve actuator. The actuators are controlled by a commercially available modulating or 3-point control system and move the valve cone, which acts as a mixing device, to the opening position dictated by the control signal. High close-off pressures are permitted as a result of both the partial pressure relieving stem and the overflow channels in the valve.
- Flow characteristic** An equal percentage flow characteristic is produced by the profile of the valve cone.

Installation notes

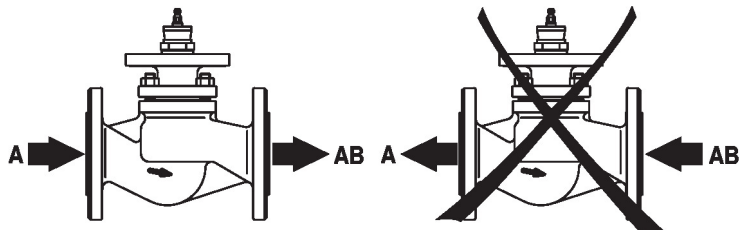
- Recommended installation positions** The globe valve may be mounted upright to horizontal. It is not permissible to mount the globe valves with the stem pointing downwards.



- Water quality requirements** The water quality requirements specified in VDI 2035 must be adhered to. Belimo valves are regulating devices. For the valves to function correctly in the long term, they must be kept free from particle debris (e.g. welding beads during installation work). The installation of a suitable strainer is recommended.

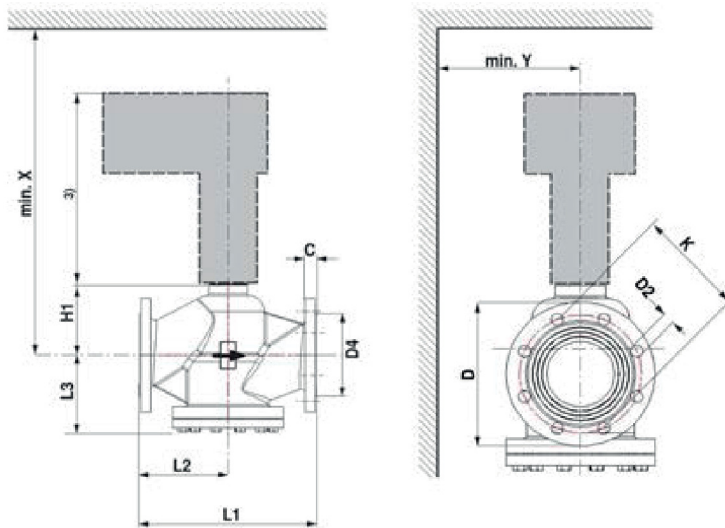
- Servicing** Globe valves and globe valve actuators are maintenance-free. Before any service work on the control element is carried out, it is essential to isolate the globe valve actuator from the power supply (by unplugging the electrical cables if necessary). Any pumps in the part of the piping system concerned must also be switched off and the appropriate slide valves closed (allow all components to cool down first if necessary and always reduce the system pressure to ambient pressure level). The system must not be returned to service until the globe valve and the globe valve actuator have been reassembled correctly in accordance with the instructions and the pipeline has been refilled by professionally trained personnel.

- Flow direction** The direction of flow, specified by an arrow on the housing, is to be complied with, since otherwise the valve could become damaged.



Dimensions

Dimensional drawings



X/Y: Minimum distance with respect to the valve centre.

The actuator dimensions can be found on the respective actuator data sheet.

Type	DN	C [mm]	D [mm]	D2 [mm]	D4 [mm]	K [mm]	L1 [mm]	L2 [mm]	L3 [mm]	H1 [mm]	X [mm]	Y [mm]	 kg
H665SP-Q	65	20	185	4 x 19	118	145	290	145	112	104.5	315	145	20
H680SP-R	80	22	200	8 x 19	132	160	310	155	132	120	445	150	31
H6100SP-S	100	23	220	8 x 19	156	180	350	175	150	137	465	160	46
H6125SP-T	125	24	250	8 x 19	184	210	400	200	175	157	485	175	59
H6150SP-T	150	25	285	8 x 23	211	240	480	240	198	171	500	195	77
H6200SP-U	200	26	340	12 x 23	266	295	500	250	234	185	510	220	122
H6250SP-V	250	31	405	12 x 28	319	355	600	300	265	205	530	255	185

Further documentation

- The complete product range for water applications
- Data sheets for globe valve actuators
- Installation instructions for valves and/or globe valve actuators
- Notes for project planning 2-way and 3-way globe valves