

Rotary actuator in connection with a mounting kit for the motorisation of the most common mixing valves in HVAC systems

- Torque motor 10 Nm
- Nominal voltage AC 230 V
- Control 3-point
- with integrated auxiliary switch
- Running time motor 140 s



Technical data

Electrical data	Nominal voltage	AC 230 V
	Nominal voltage frequency	50/60 Hz
	Nominal voltage range	AC 198...264 V
	Power consumption in operation	3.5 W
	Power consumption for wire sizing	3.5 VA
	Auxiliary switch	1 x SPDT, 0...100%
	Switching capacity auxiliary switch	6 A (2 A inductive), AC 250 V (II, reinforced insulation)
	Switching points auxiliary switch	Switching point adjustable 0...100%
	Connection supply / control	Cable 1 m, 3 x 0.75 mm ²
	Connection auxiliary switch	Cable 1 m, 3 x 0.75 mm ²
	Parallel operation	No
	Functional data	Torque motor
Direction of motion motor		clockwise rotation
Manual override		temporary and permanent gear train disengagement with rotary knob on the housing
Angle of rotation		90°
Running time motor		140 s / 90°
Duty cycle value		75% (= active time 140 s / operating time 187 s)
Sound power level, motor		37 dB(A)
Position indication		Reversible scale plate
Safety data	Protection class IEC/EN	II, reinforced insulation
	Protection class auxiliary switch IEC/EN	II, reinforced insulation
	Degree of protection IEC/EN	IP40
	EMC	CE according to 2014/30/EU
	Low voltage directive	CE according to 2014/35/EU
	Type of action	Type 1.B
	Rated impulse voltage supply / control	4 kV
	Rated impulse voltage auxiliary switch	4 kV
	Pollution degree	3
	Ambient humidity	Max. 95% RH, non-condensing
	Ambient temperature	0...50°C [32...122°F]
	Storage temperature	-30...80°C [-22...176°F]
	Servicing	maintenance-free
Weight	Weight	0.58 kg
Housing colours	Housing cover	orange
	Housing base	orange

Safety notes


- This device has been designed for use in stationary heating, ventilation and air-conditioning systems and must not be used outside the specified field of application, especially in aircraft or in any other airborne means of transport.
- The actuator is to be protected against moisture. It is not suitable for outdoor applications.
- To calculate the torque required, the specifications supplied by the mixing valve manufacturer must be observed.
- Only authorised specialists may carry out installation. All applicable legal or institutional installation regulations must be complied during installation.
- The correct functioning of the strain relief for the cable in the actuator housing is to be checked.
- The installer must check for correct principle of operation after installation.
- The device does not contain any parts that can be replaced or repaired by the user.
- The device contains electrical and electronic components and must not be disposed of as household refuse. All locally valid regulations and requirements must be observed.
- Caution: Power supply voltage!

Product features

Mode of operation	The actuator is activated with a 3-point signal.
Simple direct mounting	Simple direct mounting with only one screw. The stud bolt included in delivery serves as an anti-rotation device. The mounting position can be freely selected in steps of 90°.
Manual override	Manual override with lever possible. Temporary gear train disengagement by pushing the rotary knob. Permanent disengagement by pushing and simultaneous rotating the rotary knob clockwise 90°.
High functional reliability	The actuator switches off automatically when the end stops are reached.

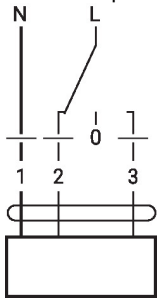
Accessories

Mechanical accessories	Description	Type
	Mounting kit for LK mixing valve	MS-NRA
	Mounting kit for Barberi mixing valves	MS-NRB
	Mounting kit for Honeywell/Centra DR..MA mixing valves	MS-NRC
	Mounting kit for Honeywell/Centra DRU.. mixing valves	MS-NRC1
	Mounting kit for mixing valves with 12 mm round shaft	MS-NRE
	Mounting kit for ESBE mixing valves VRG/VRB/VRH	MS-NRE6
	Mounting kit for Hora mixing valves	MS-NRH
	Mounting kit for Siemens/Landis&Stäfa mixing valves VCI/VBG/VBF	MS-NRL
	Mounting kit for Lazzari mixing valves	MS-NRLA
	Mounting kit for Lovato mixing valves	MS-NRLO
	Mounting kit for Satchwell MB mixing valves	MS-NRS
	Mounting kit for Satchwell MBF mixing valves	MS-NRSF

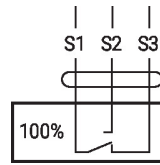
Electrical installation


Caution: Power supply voltage!

Wiring diagrams
AC 230 V, 3-point



Auxiliary switch



1	2	3	
			stop

Operating controls and indicators

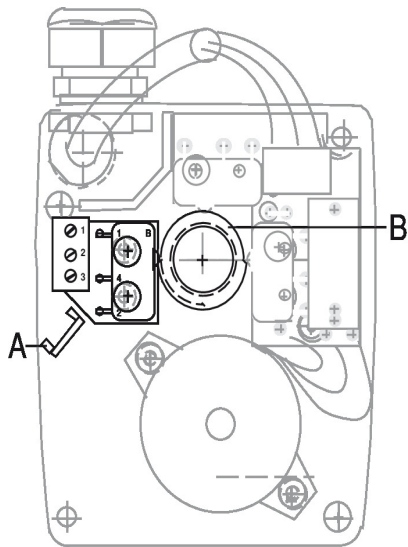
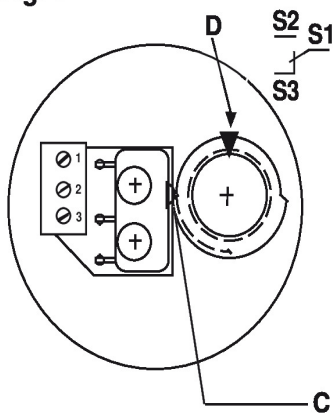


Fig. 1



Dimensions

