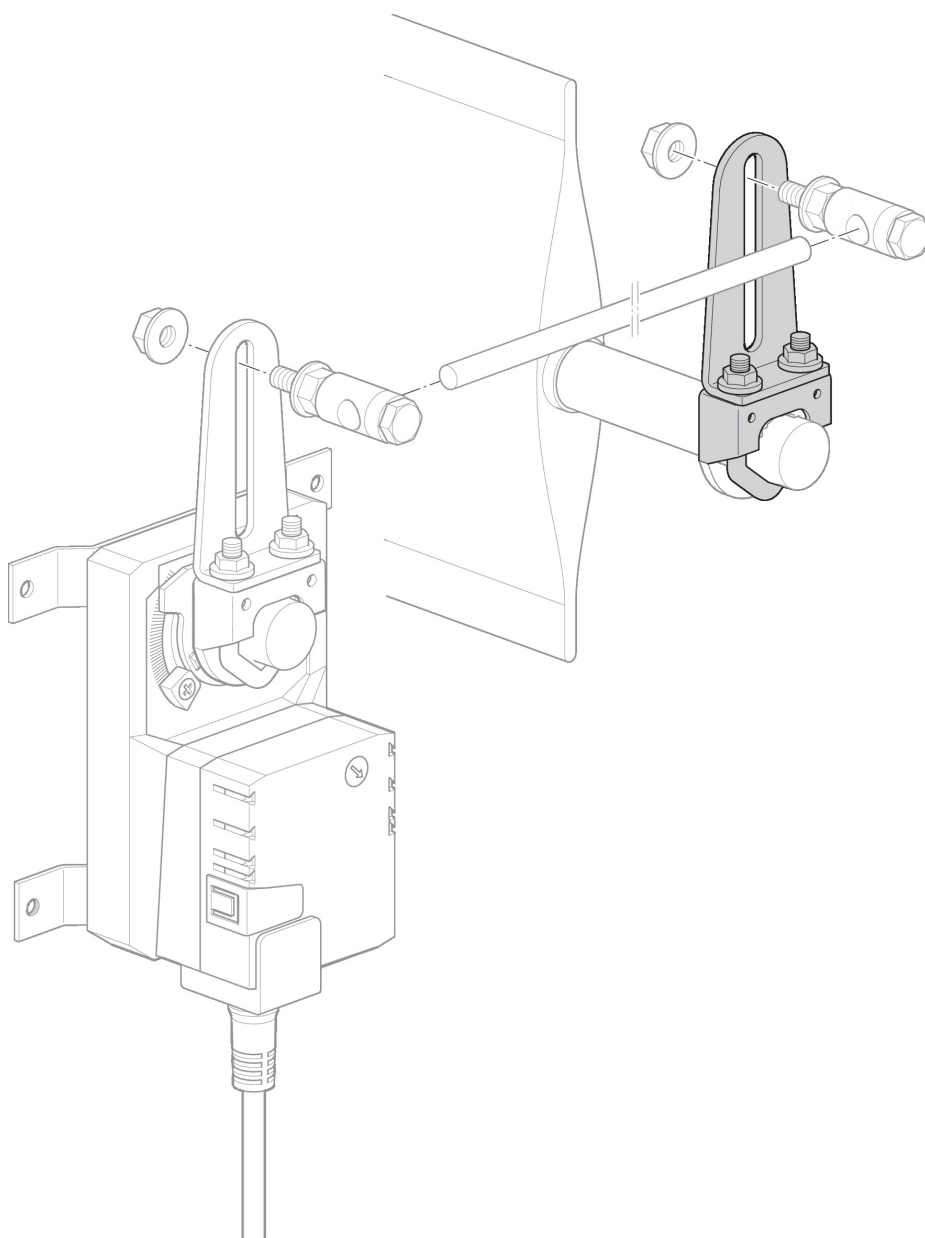
**Technical data**

Weight	Weight	0.10 kg
---------------	--------	---------

Product features

Used materials Galvanised steel

Application Suitable for LF., LMQ..A, NF..A, NKQ..A, NM..A, NMC..A, NMD..A, NMQ..A, SF..A, SM..A, SMC..A, SMD..A, SMQ..A, TF..



Dimensions

Dimensional drawings

