

Positioners suitable for use with the modulating damper actuators LM..A-SR, NM..A-SR, SM..A-SR and GM..A-SR

- For front-panel mounting



Technical data

Electrical data	Nominal voltage	AC/DC 24 V
	Nominal voltage frequency	50/60 Hz
	Nominal voltage range	AC 19.2...28.8 V / DC 19.2...28.8 V
	Power consumption in operation	0.3 W
	Power consumption for wire sizing	1 VA
	Output power note	for max. 10 actuators
	Connection supply / control	Terminals 1.5 mm ²
Functional data	Operating range Y note	Operating range selectable 0...10 V or 2...10 V
	Scale	0...100% (angle of rotation can be limited mechanically with rotary knob)
Safety data	Protection class IEC/EN	III, Safety Extra-Low Voltage (SELV)
	Degree of protection IEC/EN	IP40
	EMC	CE according to 2014/30/EU
	Mode of operation	Type 1
	Ambient temperature	-20...50°C
	Storage temperature	-40...80°C
	Ambient humidity	Max. 95% RH, non-condensing
Weight	Weight	0.70 kg

Safety notes



- The device must not be used outside the specified field of application, especially not in aircraft or in any other airborne means of transport.
- Only authorised specialists may carry out installation. All applicable legal or institutional installation regulations must be complied during installation.
- The device may only be opened at the manufacturer's site. It does not contain any parts that can be replaced or repaired by the user.
- The device contains electrical and electronic components and must not be disposed of as household refuse. All locally valid regulations and requirements must be observed.

Product features

- Mode of operation** The positioner is supplied with operating voltage via terminals 1 and 2. Proportional. Proportionate to the position of the rotary knob, a positioning signal Y is generated which is either 2...10 V or 0.5...10 V or a position change occurs at the actuator within the range of 0.5...100% (min...max). The angle of rotation of the adjustment knob can be subjected to mechanical limitation.
- Application** The positioner is used for the (remote) control of modulating damper actuators or as a minimum positioner (lower limitation of output signals from modulating controllers). The adjustment range is 0...100% angle of rotation of the connected actuator.

Simple changeover The switching from 2...10 V to 0.5...10 V is accomplished by means of a slide switch on the printed circuit board.

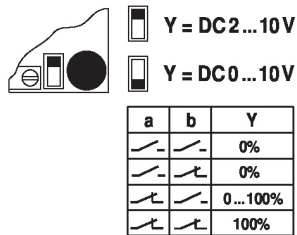
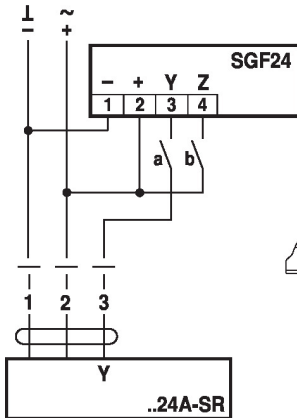
Electrical installation



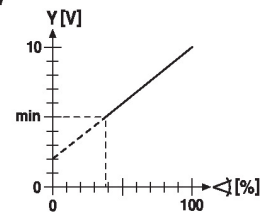
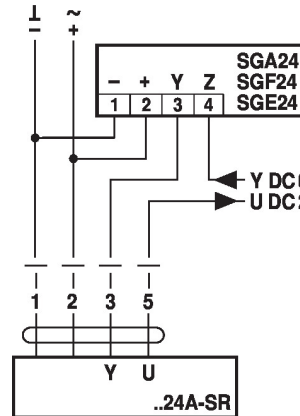
Supply from isolating transformer.

Wiring diagrams

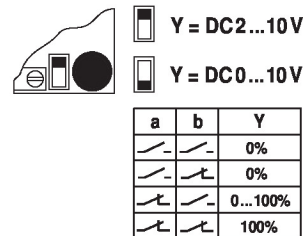
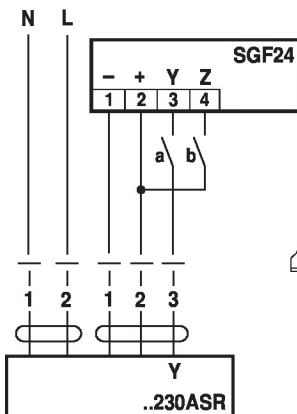
AC/DC 24 V



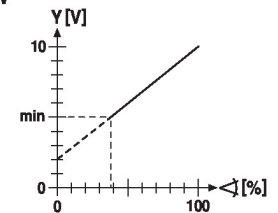
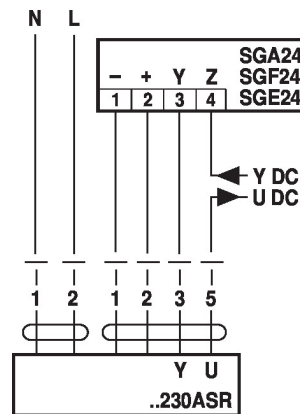
AC/DC 24 V, Minimum limit



AC 230 V



AC 230 V, Minimum limit



Dimensions

Dimensional drawings

