

- Torque motor 2 Nm
- Nominal voltage AC/DC 24 V
- Control modulating 2...10 V



Technical data

|                        |  |                                      |
|------------------------|--|--------------------------------------|
| <b>Electrical data</b> | Nominal voltage                        | AC/DC 24 V                           |
|                        | Nominal voltage frequency              | 50/60 Hz                             |
|                        | Nominal voltage range                  | AC 19.2...28.8 V / DC 21.6...28.8 V  |
|                        | Power consumption in operation         | 0.5 W                                |
|                        | Power consumption for wire sizing      | 1 VA                                 |
|                        | Connection supply / control            | Cable 1 m, 3 x 0.75 mm <sup>2</sup>  |
|                        | Parallel operation                     | Yes (note the performance data)      |
| <b>Functional data</b> | Torque motor                           | 2 Nm                                 |
|                        | Operating range Y                      | 2...10 V                             |
|                        | Input impedance                        | 100 kΩ                               |
|                        | Manual override                        | temporary gear train disengagement   |
|                        | Running time motor                     | 90 s / 90°                           |
|                        | Sound power level, motor               | 35 dB(A)                             |
|                        | Position indication                    | Mechanical                           |
| <b>Safety data</b>     | Protection class IEC/EN                | III, Safety Extra-Low Voltage (SELV) |
|                        | Degree of protection IEC/EN            | IP40                                 |
|                        | EMC                                    | CE according to 2014/30/EU           |
|                        | Certification IEC/EN                   | IEC/EN 60730-1 and IEC/EN 60730-2-14 |
|                        | Type of action                         | Type 1                               |
|                        | Rated impulse voltage supply / control | 0.8 kV                               |
|                        | Pollution degree                       | 3                                    |
|                        | Ambient humidity                       | Max. 95% RH, non-condensing          |
|                        | Ambient temperature                    | -7...50°C [19...122°F]               |
|                        | Storage temperature                    | -40...80°C [-40...176°F]             |
| Servicing              | maintenance-free                       |                                      |
| <b>Weight</b>          | Weight                                 | 0.27 kg                              |

Safety notes



- This device has been designed for use in stationary heating, ventilation and air-conditioning systems and must not be used outside the specified field of application, especially in aircraft or in any other airborne means of transport.
- Outdoor application: only possible in case that no (sea) water, snow, ice, insulation or aggressive gases interfere directly with the device and that it is ensured that the ambient conditions remain within the thresholds according to the data sheet at any time.
- Only authorised specialists may carry out installation. All applicable legal or institutional installation regulations must be complied during installation.
- The device may only be opened at the manufacturer's site. It does not contain any parts that can be replaced or repaired by the user.
- The device contains electrical and electronic components and must not be disposed of as household refuse. All locally valid regulations and requirements must be observed.
- The switch for changing the direction of rotation may only be operated by authorised specialists. The direction of rotation must not in particular be reversed in a frost protection circuit.

Product features

|                                    |  |
|------------------------------------|--|
| <b>Mode of operation</b>           | The actuator is connected with a standard control signal of 0...10 V and drives to the position defined by the control signal.   |
| <b>Simple direct mounting</b>      | Simple direct mounting on the ball valve with only one screw. The mounting orientation in relation to the ball valve can be selected in 90° steps.   |
| <b>Manual override</b>             | Manual override possible with lever (the gearing is disengaged as long as the self-resetting lever is pressed).  |
| <b>High functional reliability</b> | The actuator is overload protected and automatically stops when the end stop is reached. The actuator switches off for seven seconds in the case of blocking, then attempts to restart. If the blocked condition persists, the actuator attempts to restart once every two minutes a total of 15 times and subsequently only once every two hours. |

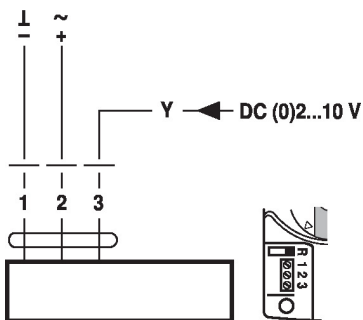
Electrical installation



**Supply from isolating transformer.**  
**Parallel connection of other actuators possible. Observe the performance data.**

Wiring diagrams

AC/DC 24 V, modulating

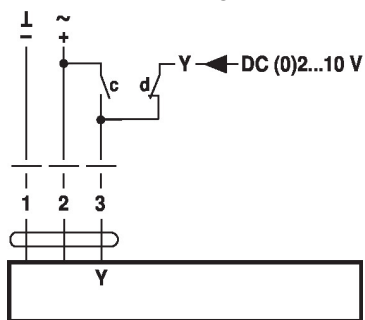


**Cable colours:**

- 1 = black
- 2 = red
- 3 = white

Direction of rotation R  
 (standard) when switch set to  
 right position

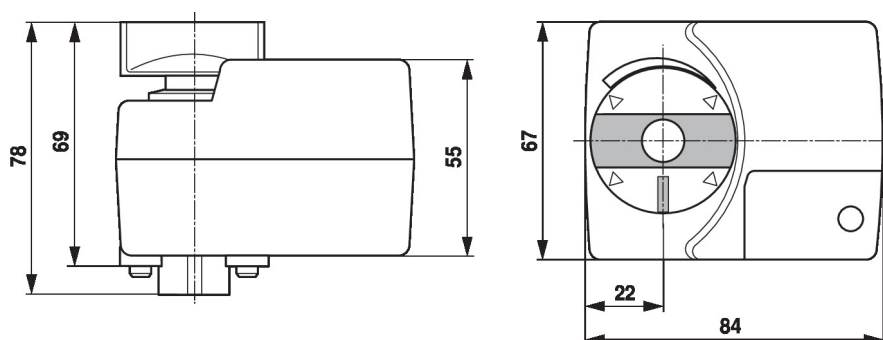
AC/DC 24 V, modulating, override control



| c | d | Y1 / Y2        |               |
|---|---|----------------|---------------|
|   |   | Y1             | A - AB = 100% |
|   |   | Y2             | A - AB = 0%   |
|   |   | DC (0)2...10 V |               |

**Cable colours:**

- 1 = black
- 2 = red
- 3 = white

**Dimensions**

**Further documentation**

- The complete product range for water applications
- Data sheets for ball valves
- Installation instructions for actuators and/or ball valves
- General notes for project planning