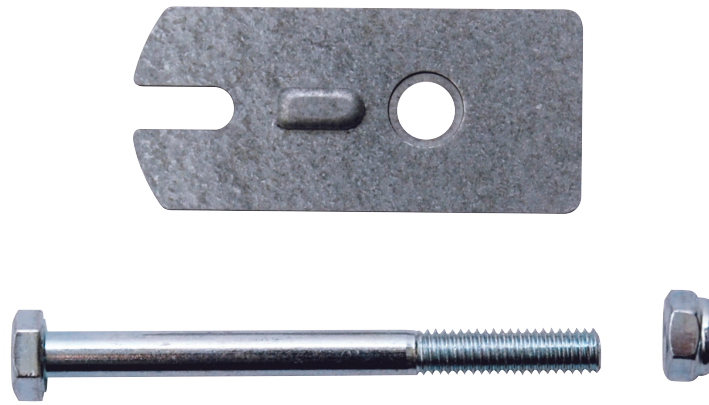


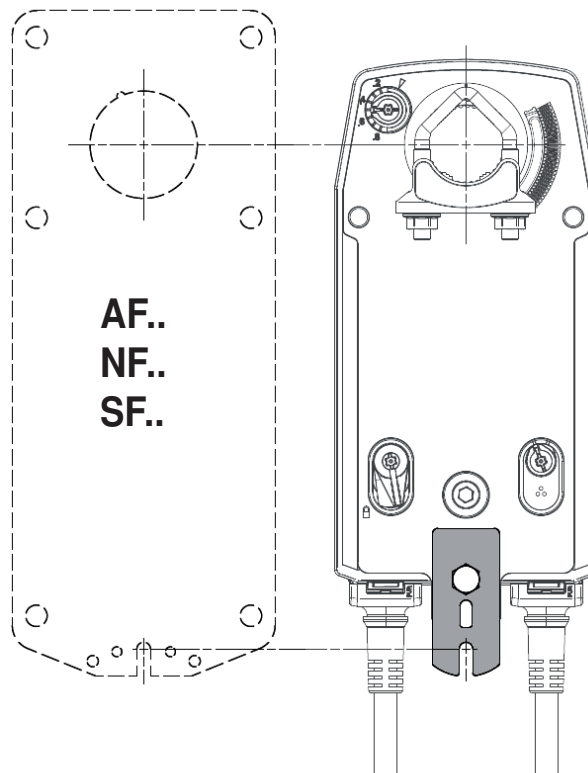
Retrofit clip to NF..A / SF..A
• with screw and nut

**Technical data**

Weight	Weight	0.045 kg
---------------	--------	----------

Product features

Used materials	Galvanised steel
Application	Suitable for SF..A, NF..A



Product features

Application

