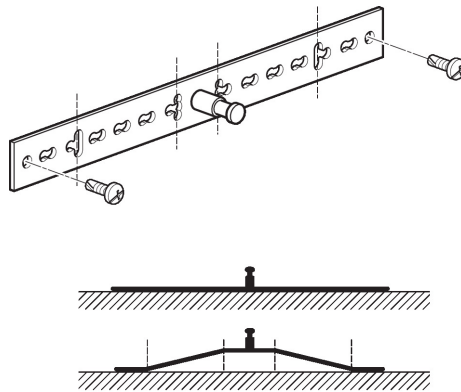


Technical data

Weight	Weight	0.050 kg
	Packaging quantity	Multipack 20 pcs.

Product features

Used materials	Galvanised steel
Application	Suitable for LM...A, LMQ...A, NM...A, NMQ...A, NKQ...A, TF., TMC...A



Dimensions

Dimensional drawings

