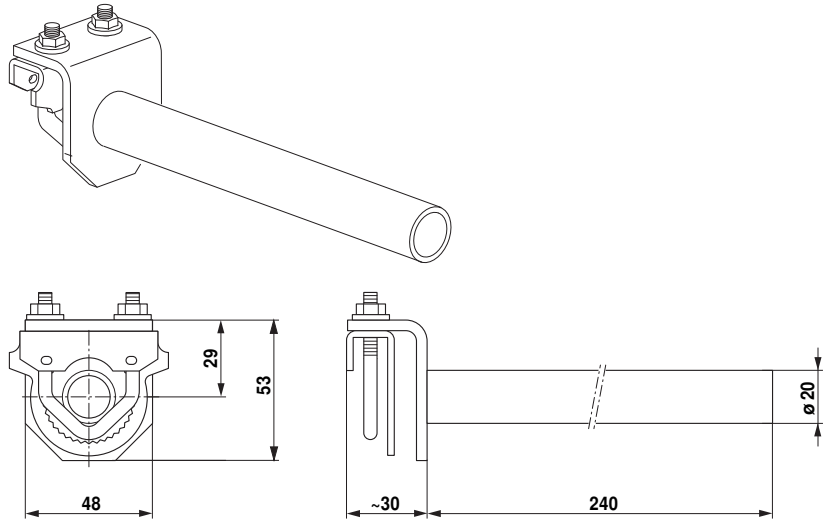
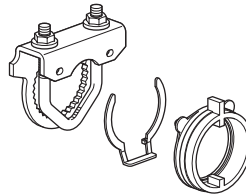


Shaft extension AV8-25

- Length approx. 250 mm
- For damper spindles \varnothing 8 ... 25 mm
- \varnothing Extension 20 mm


Single side spindle clamp K-ENSA

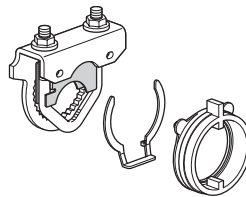
- For damper spindles \varnothing 8 ... 26 mm



Packaging unit: 20 pieces

Single side spindle clamp K-ENMA

- For damper spindles \varnothing 8 ... 26 mm
- With insert

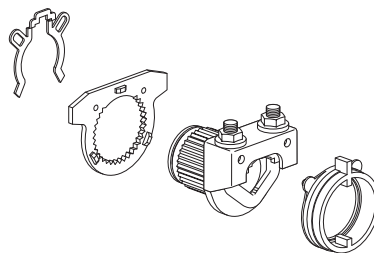


Packaging unit: 20 pieces

$\varnothing \geq 10.0$ mm	$\varnothing \geq 16.0$ mm	$\varnothing \geq 8.0$ mm
$\oplus 12.7$ mm $\frac{1}{2}$ "	$\oplus 19.0$ mm $\frac{3}{4}$ "	$\oplus 25.4$ mm 1"
$\varnothing \leq 18.0$ mm	$\varnothing \leq 22.0$ mm	$\varnothing \leq 26.7$ mm

Reversible spindle clamp K-NA

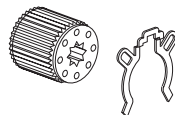
- For damper spindles \varnothing 8 ... 20 mm



Packaging unit: 20 pieces

Form-fit adapters ZF..-N..A

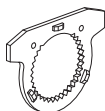
Article number	Shaft dimensions
• ZF8-NMA	8 x 8 mm
• ZF10-NSA	10 x 10 mm
• ZF12-NSA	12 x 12 mm
• ZF15-NSA	15 x 15 mm
• ZF16-NSA	16 x 16 mm



Packaging unit: 20 pieces

Angel of rotation limiter

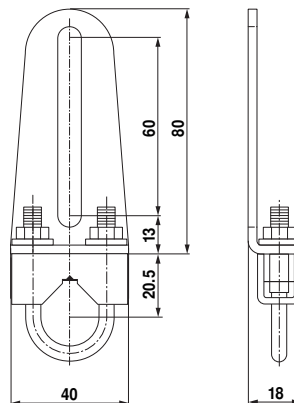
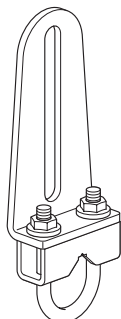
- For form-fit adapter
- For reversible spindle clamp K-NA



Article number 20334-00001

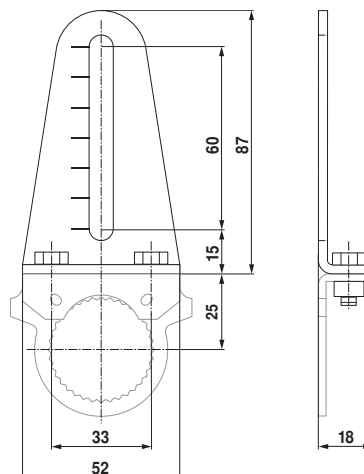
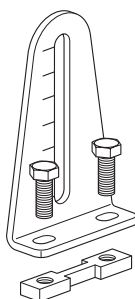
Damper crank arm KH8

- For damper spindles
- Galvanized steel
- Clamping range \varnothing 10 ... 18 mm
- Slot width 8.2 mm

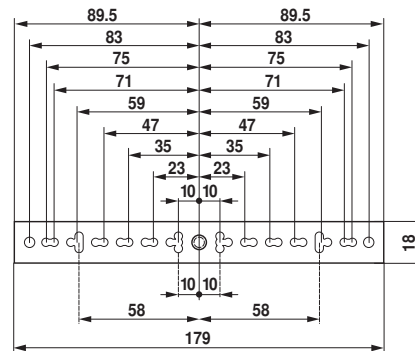
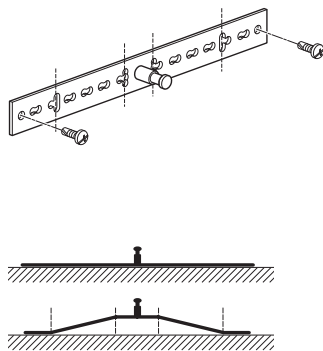


Actuator crank arm AH-25

- For spindle clamp (single side) K-ENSA
- Slot width 8.2 mm
- Galvanized steel



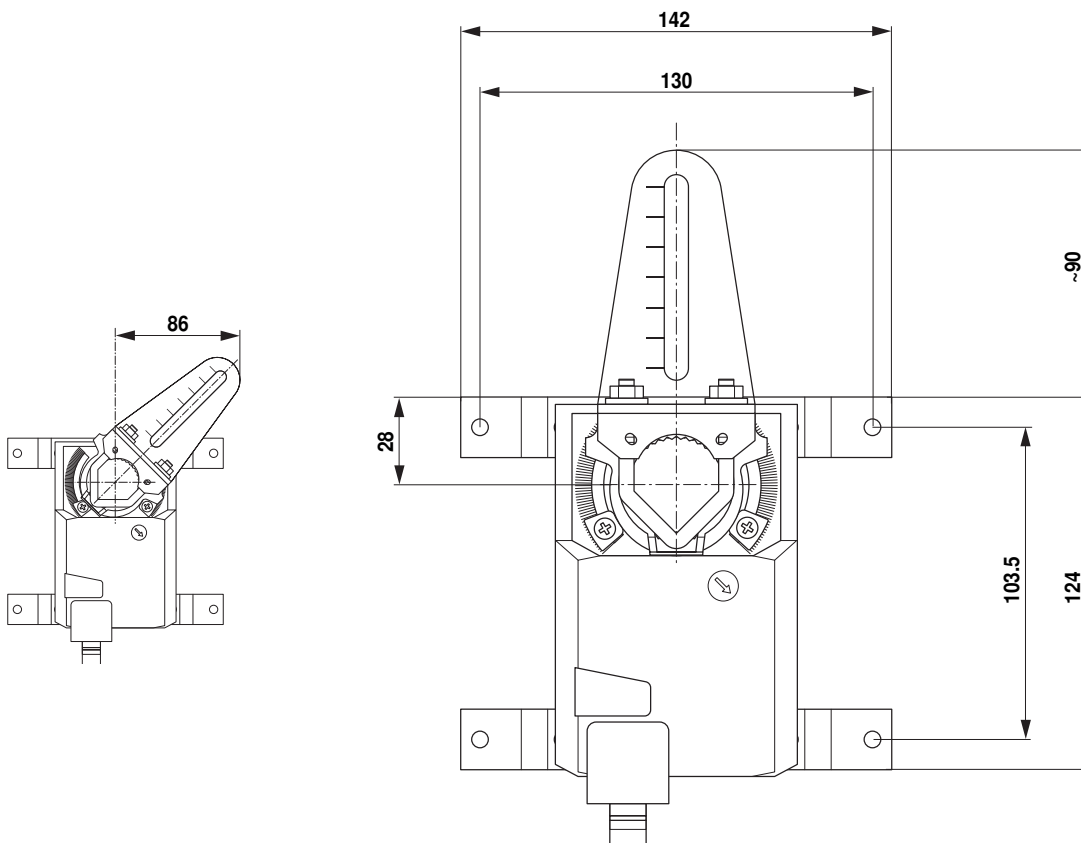
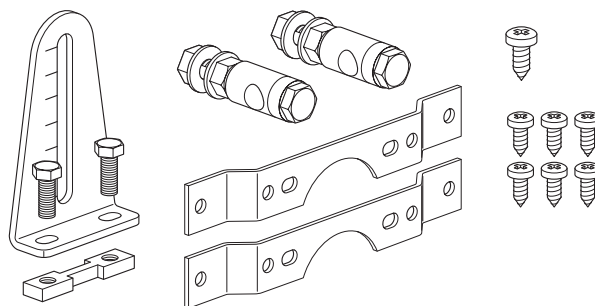
Anti-rotation strap Z-ARS180



Packaging unit: 20 pieces

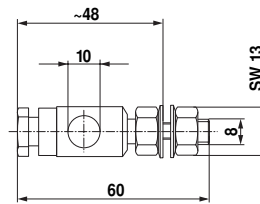
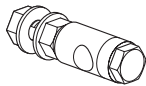
Mounting kit for damper linkage ZG-NMA

• For flat mounting



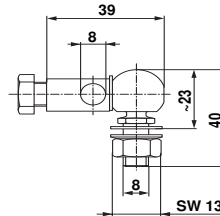
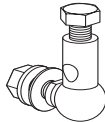
Ball joint KG10A

- Suitable for KH8 damper crank arms
- For round steel rod with \varnothing 10 mm
- Galvanized steel



Ball joint KG8

- Suitable for KH8 damper crank arms
- For round steel rod with \varnothing 8 mm
- Galvanized steel



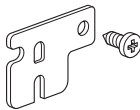
Position indication Z-PI



Packaging unit: 20 pieces

Extension for ground plate Z-NMA

- Extension from NMQB.. to LMQ..A..
- Galvanized steel



Packaging unit: 20 pieces

