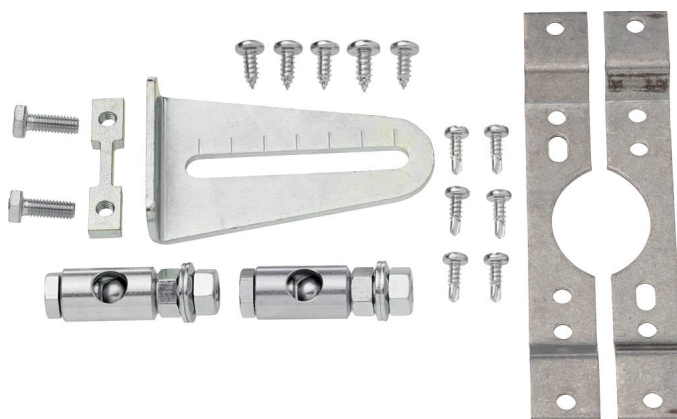


Mounting kit for linkage operation

- for flat installation


Technical data

Weight	Weight	0.33 kg
---------------	--------	---------

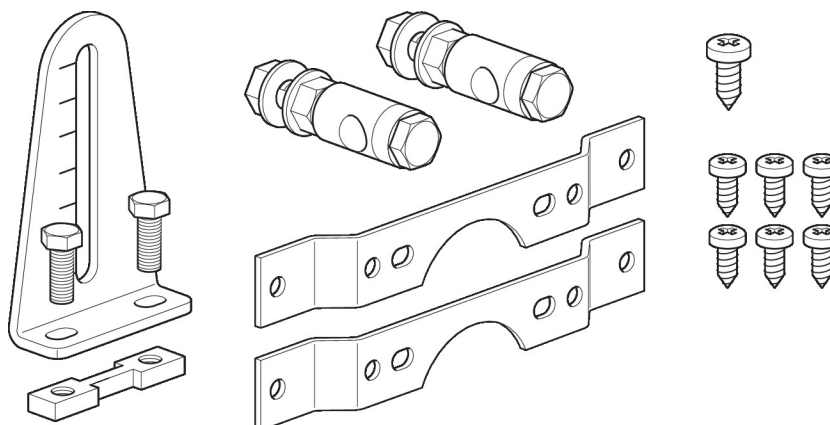
Safety notes


- This accessory has been designed for use in stationary heating, ventilation and air-conditioning systems and must not be used outside the specified field of application, especially in aircraft or in any other airborne means of transport.
- Only authorised specialists may carry out installation. All applicable legal or institutional installation regulations must be complied with during installation.
- The accessory may not be disposed of as household refuse. All locally valid regulations and requirements must be observed.

Product features

Used materials Galvanised steel

Application Suitable for LMQ..A, NM..A, NMC..A, NMQ..A



Dimensions

