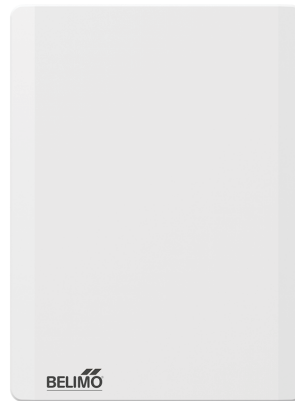


Room sensor Temperature

Passive wall mount temperature sensors with an incorporated manual override button and sleek design. Available with four different outputs to be seamlessly connected to existing third-party controllers.



5-year warranty


Type Overview

Type	Output signal
01RT-5B-0	Pt1000
01RT-5L-0	NTC10k (10k2)
01RT-5M-0	NTC10k3 (Precon)
01RT-5Q-0	NTC20k

Technical data

Electrical Data	Electrical connection	Spring loaded terminal 0.5...1.5 mm ²	
	Cable entry	Wire openings at the backside (for In-wall wiring) and top-/bottom side (for On-wall wiring)	
Functional Data	Application	air	
	Output signal passive temperature	Pt1000 NTC10k (10k2) NTC10k3 (Precon) NTC20k	
	Measured values	Temperature	
	Measuring range temperature	32...122°F [0...50°C]	
Measuring Data	Accuracy temperature passive	Passive sensors depending on used type Pt.. : ±0.5°F @ 32°F [±0.3°C @ 0°C] NTC.. : ±0.35°F @ 77°F [±0.2°C @ 25°C]	
	Measuring current	Pt1000: <0.3 mA @ 32°F [0°C] NTC10k2: <2 mA @ 77°F [25°C] NTC10k3: <2.7 mA @ 77°F [25°C] NTC20k: <0.5 mA @ 77°F [25°C]	
	Time constant τ (63%) in the room	Typical 360 s	
	Wall Coupling Factor	35 %	
	Materials	Housing	PC, white, RAL 9003
		Safety Data	Protection class IEC/EN
	Degree of protection IEC/EN		IP30
Degree of protection NEMA/UL	NEMA 1		
EU Conformity	CE Marking		
Certification IEC/EN	IEC/EN 60730-1 and IEC/EN 60730-2-9		
Quality Standard	ISO 9001		
Ambient humidity	Max. 95% RH, non-condensing		
Ambient temperature	0...50°C [32...122°F]		

Safety Notes

This device has been designed for use in stationary heating, ventilation and air-conditioning systems and must not be used outside the specified field of application. Unauthorized modifications are prohibited. The product must not be used in relation with any equipment that in case of a failure may threaten humans, animals or assets.

Ensure all power is disconnected before installing. Do not connect to live/operating equipment.

Only authorized specialists may carry out installation. All applicable legal or institutional installation regulations must be complied during installation.

The device contains electrical and electronic components and must not be disposed of as household refuse. All locally valid regulations and requirements must be observed.

Remarks**General Remarks Concerning Sensors**

Due to self-heating with 2 wire passive sensors, the supply wire current affects the measurement accuracy. So the supply current should not be higher than the measuring current values specified in this data sheet.

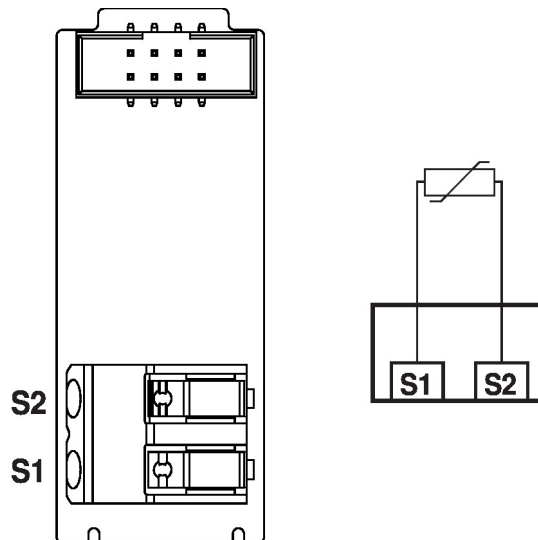
When using lengthy connecting cables (depending on the cross section used), the cable resistance must be taken into account. The lower the impedance of the sensor used, the greater the effect of the line resistance on the measurement, because it generates an offset.

Manual override

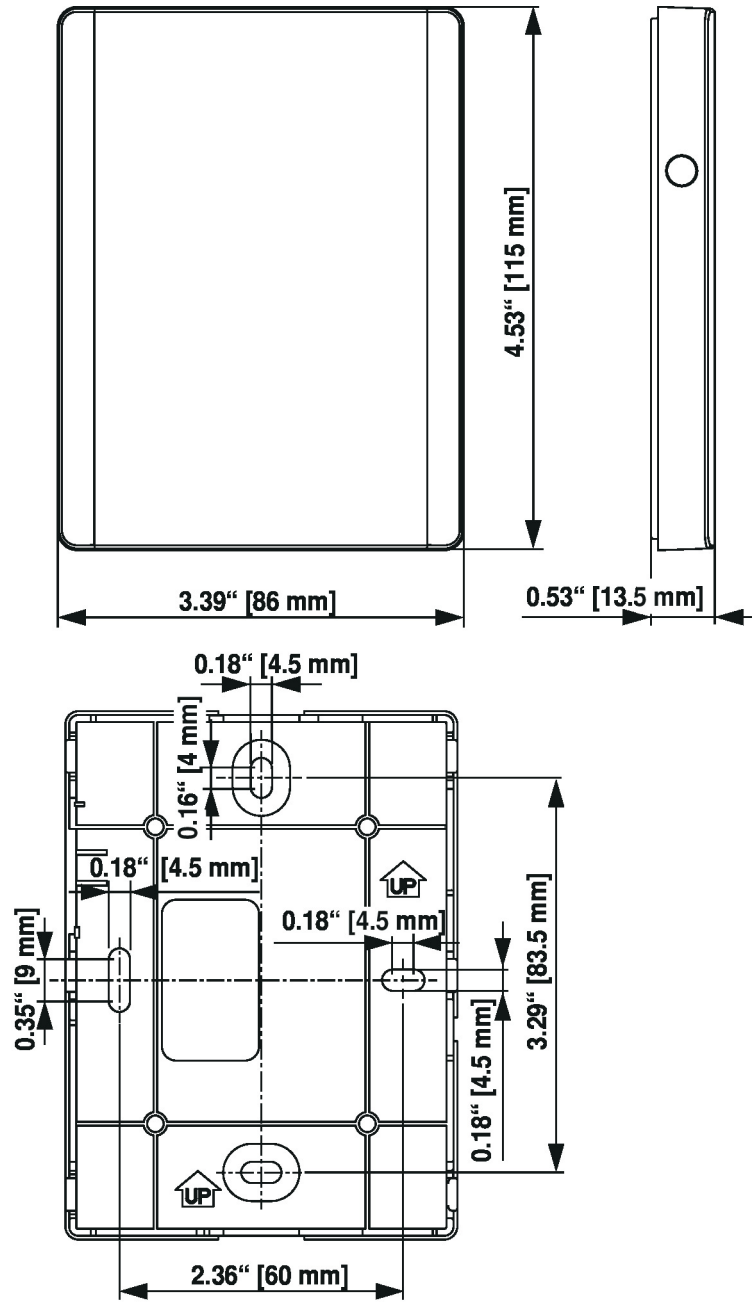
Once the Manual Override button is pressed, the thermistor within the room sensor is temporarily shorted out and a signal is sent to the controller. The DDC programmer can utilize the signal to provide an array of HVAC sequence options.

Scope of delivery

Screws

Wiring Diagram

Dimensions



Type	Weight
01RT-5B-0	0.19 lb [0.09 kg]
01RT-5L-0	0.19 lb [0.09 kg]
01RT-5M-0	0.19 lb [0.09 kg]
01RT-5Q-0	0.19 lb [0.09 kg]