

**Brass Thermowell (Fabricated)**

Brass thermowell (fabricated) with 1/2" NPT external thread and integrated compression fitting for ease of installation for immersion and cable sensors 01DT.., 22DT.., 01CT.., 22CT..



5-year warranty

**Type Overview**

Type	Thermowell length	Thermowell diameter	Max. flow velocity	Weight
A-22P-A17	2" [50 mm]	0.35 in. [9 mm]	87.3 ft/s [26.6 m/s]	0.11 lb [0.060 kg]
A-22P-A19	4" [100 mm]	0.35 in. [9 mm]	40.0 ft/s [12.2 m/s]	0.13 lb [0.070 kg]
A-22P-A21	6" [150 mm]	0.35 in. [9 mm]	23.6 ft/s [7.2 m/s]	0.16 lb [0.080 kg]
A-22P-A23	8" [200 mm]	0.35 in. [9 mm]	13.1 ft/s [4.0 m/s]	0.18 lb [0.090 kg]
A-22P-A25	12" [300 mm]	0.35 in. [9 mm]	5.6 ft/s [1.7 m/s]	0.23 lb [0.11 kg]
A-22P-A27	18" [450 mm]	0.35 in. [9 mm]	2.3 ft/s [0.7 m/s]	0.30 lb [0.14 kg]

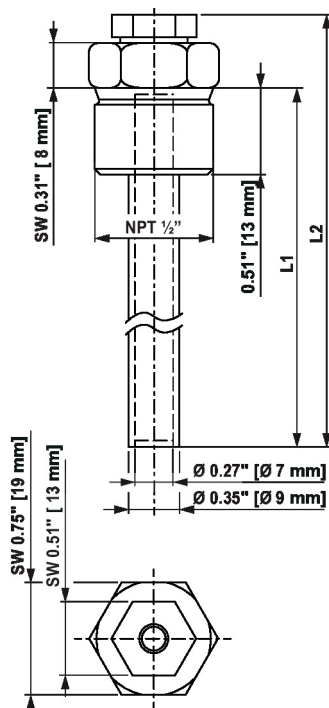
**Technical data**

<b>Functional Data</b>	Application	water
<b>Materials</b>	Probe material	Brass
	Thermowell material	Thread and Hex: C38500 Thermowell Length: C27400 Compression fitting: Polyamid (PA66/GF25)
<b>Safety Data</b>	Fluid temperature	up to max. 270°F [130°C]
	Pressure rating	up to max. 232 psi [16 bar]
	Quality Standard	ISO 9001

**Safety Notes**

WARNING: This product can expose you to lead which is known to the State of California to cause cancer and reproductive harm. For more information go to [www.p65warnings.ca.gov](http://www.p65warnings.ca.gov)

## Dimensions



Typ	L1	L2
A-22P-A17	1.41" [36 mm]	1.93" [49 mm]
A-22P-A19	3.38" [86 mm]	3.90" [99 mm]
A-22P-A21	5.35" [136 mm]	5.87" [149 mm]
A-22P-A23	7.32" [186 mm]	7.83" [199 mm]
A-22P-A25	11.25" [286 mm]	11.77" [299 mm]
A-22P-A27	17.16" [436 mm]	17.68" [449 mm]