

## ANSI-Flanged Globe Valves

- chilled or hot water, up to 60% glycol, steam
- ANSI Class 250, up to 280 psi below 350°F
- 250
- Cast iron - ASTM A126 Class B



5-year warranty

Picture may differ from product

## Type overview

<b>Type</b>	<b>DN</b>
G665CS-250	2 1/2" [65]

## Technical data

<b>Functional data</b>	Valve size [mm]	2.5" [65]
	Fluid	chilled or hot water, up to 60% glycol, steam
	Fluid Temp Range (water)	32...350°F [0...176°C]
	Fluid Temp Range (steam)	32...338°F [0...170°C]
	Body Pressure Rating	ANSI Class 250, up to 280 psi below 350°F
	Flow characteristic	equal percentage
	Leakage rate	ANSI Class III
	Pipe connection	Flange for use with ASME/ANSI class 250
	Servicing	repack/rebuild kits available
	Rangeability Sv	85:1
	Max Differential Pressure (Steam)	50 psi [345 kPa]
	Flow Pattern	2-way
	Controllable flow range	stem up - open A - AB
	Cv	65
	Maximum Inlet Pressure (Steam)	100 psi [690 kPa]
	<b>Materials</b>	Valve body
Valve plug		Stainless steel
Stem		316 stainless steel
Stem seal		NLP EPDM (no lip packing)
Seat		Stainless steel AISI 316
<b>Suitable actuators</b>	Non Fail-Safe	EVB(X)
	Spring	AF
	Electronic fail-safe	AVKB(X)

Safety notes



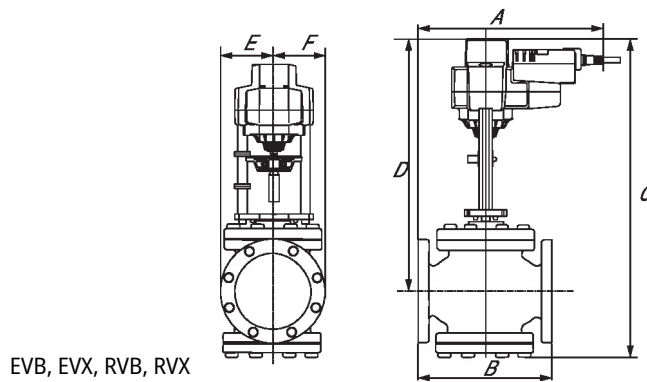
- **WARNING:** This product can expose you to chemicals including lead, which is known to the State of California to cause cancer and reproductive harm. For more information go to [www.p65warnings.ca.gov](http://www.p65warnings.ca.gov)
- The valve has been designed for use in stationary heating, ventilation and air-conditioning systems and must not be used outside the specified field of application, especially in aircraft or in any other airborne means of transport.
- Only authorized specialists may carry out installation. All applicable legal or institutional installation regulations must be complied with during installation.
- The valve does not contain any parts that can be replaced or repaired by the user.
- When determining the flow rate characteristic of controlled devices, the recognised directives must be observed.

Accessories

Mechanical accessories	Description	Type
	Repack Kit for Belimo G6, G7 series globe valves, Stainless steel trim	ZG-GV04

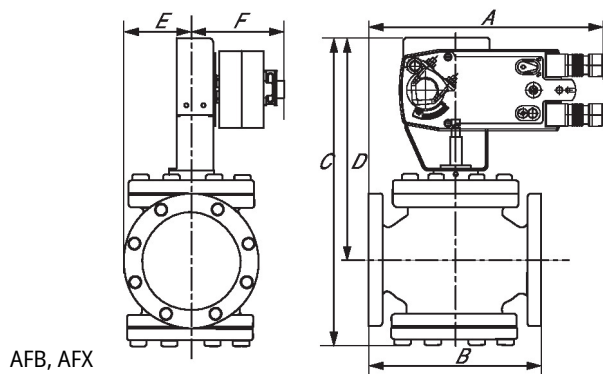
Dimensions

Type	DN	Weight
G665CS-250	2 1/2" [65]	66.0 lb [30.0 kg]



EVB, EVX, RVB, RVX

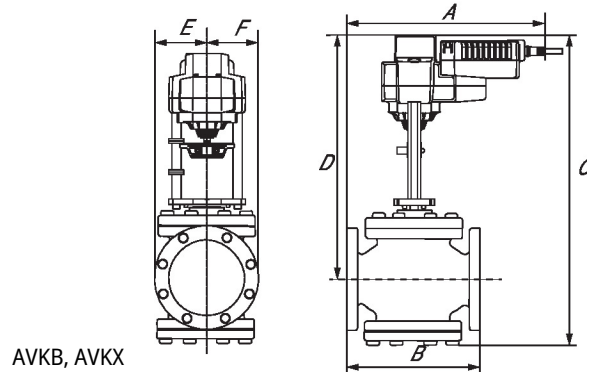
A	B	C	D	E	F	Number of Bolt Holes
12.0" [304]	9.6" [245]	23.0" [584]	18.3" [464]	3.7" [95]	3.7" [95]	8



AFB, AFX

A	B	C	D	E	F	Number of Bolt Holes
12.0" [304]	9.6" [245]	21.7" [550]	16.9" [428]	3.7" [95]	5.3" [135]	8

Dimensions



A	B	C	D	E	F	Number of Bolt Holes
12.0" [304]	9.6" [245]	23.0" [584]	18.3" [464]	3.7" [95]	3.7" [95]	8