

ANSI-Flanged Globe Valves

- chilled or hot water, up to 60% glycol, steam
- ANSI Class 125, up to 175 psi below 150°F
- 125
- Cast iron - ASTM A126 Class B



5-year warranty

Picture may differ from product

Type overview

Type	DN
G665CS	2 1/2" [65]

Technical data

Functional data	Valve size [mm]	2.5" [65]
	Fluid	chilled or hot water, up to 60% glycol, steam
	Fluid Temp Range (water)	32...350°F [0...176°C]
	Fluid Temp Range (steam)	32...338°F [0...170°C]
	Body Pressure Rating	ANSI Class 125, up to 175 psi below 150°F
	Flow characteristic	equal percentage
	Leakage rate	ANSI Class III
	Pipe connection	Flange for use with ASME/ANSI class 125
	Servicing	repack/rebuild kits available
	Rangeability Sv	85:1
	Max Differential Pressure (Steam)	50 psi [345 kPa]
	Flow Pattern	2-way
	Controllable flow range	stem up - open A – AB
	Cv	65
	Maximum Inlet Pressure (Steam)	100 psi [690 kPa]
Materials	Valve body	Cast iron - ASTM A126 Class B
	Valve plug	Stainless steel
	Stem	316 stainless steel
	Stem seal	NLP EPDM (no lip packing)
	Seat	Stainless steel AISI 316
Suitable actuators	Non Fail-Safe	EVB(X)
	Spring	AF
	Electronic fail-safe	AVKB(X)

Safety notes



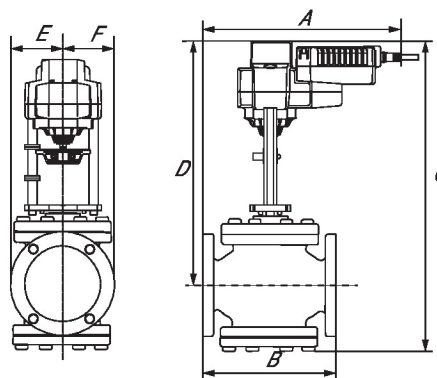
- **WARNING:** This product can expose you to chemicals including lead, which is known to the State of California to cause cancer and reproductive harm. For more information go to www.p65warnings.ca.gov
- The valve has been designed for use in stationary heating, ventilation and air-conditioning systems and must not be used outside the specified field of application, especially in aircraft or in any other airborne means of transport.
- Only authorized specialists may carry out installation. All applicable legal or institutional installation regulations must be complied with during installation.
- The valve does not contain any parts that can be replaced or repaired by the user.
- When determining the flow rate characteristic of controlled devices, the recognised directives must be observed.

Accessories

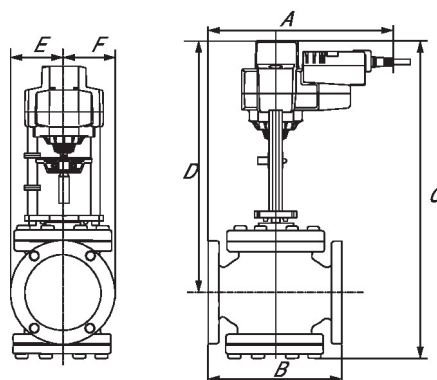
Mechanical accessories	Description	Type
	Repack Kit for Belimo G6, G7 series globe valves, Stainless steel trim	ZG-GV04

Dimensions

Type	DN	Weight
G665CS	2 1/2" [65]	56.88 lb [25.85 kg]

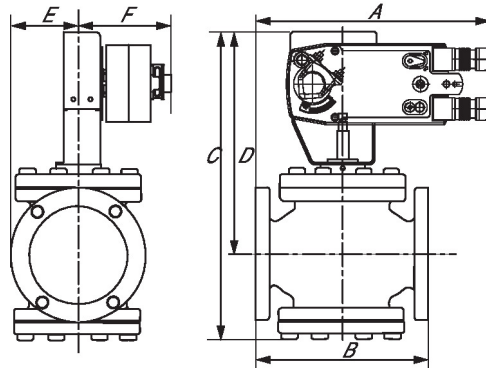


A	B	C	D	E	F	Number of Bolt Holes
11.7" [298]	9.0" [229]	23.0" [584]	18.3" [464]	3.6" [92]	3.6" [92]	4



A	B	C	D	E	F	Number of Bolt Holes
11.7" [298]	9.0" [229]	21.7" [550]	16.9" [428]	3.6" [92]	5.3" [135]	4

Dimensions



A	B	C	D	E	F	Number of Bolt Holes
11.7" [298]	9.0" [229]	23.0" [584]	18.3" [464]	3.6" [92]	3.6" [92]	4