

ANSI-Flanged Globe Valves

- chilled or hot water, up to 60% glycol, steam
- ANSI Class 125, up to 175 psi below 150°F
- 125
- Cast iron - ASTM A126 Class B



5-year warranty

Picture may differ from product

Type overview

| Type | DN |
|-------|-------------|
| G665C | 2 1/2" [65] |

Technical data

| | | |
|---------------------------|-----------------------------------|---|
| Functional data | Valve size [mm] | 2.5" [65] |
| | Fluid | chilled or hot water, up to 60% glycol, steam |
| | Fluid Temp Range (water) | 32...338°F [0...138°C] |
| | Fluid Temp Range (steam) | 32...280°F [0...138°C] |
| | Body Pressure Rating | ANSI Class 125, up to 175 psi below 150°F |
| | Flow characteristic | equal percentage |
| | Pipe connection | Flange for use with ASME/ANSI class 125 |
| | Servicing | repack/rebuild kits available |
| | Rangeability Sv | 85:1 |
| | Max Differential Pressure (Steam) | 15 psi [103 kPa] |
| | Flow Pattern | 2-way |
| | Controllable flow range | stem up - open A – AB |
| | Cv | 65 |
| | Maximum Inlet Pressure (Steam) | 35 psi [241 kPa] |
| Materials | Valve body | Cast iron - ASTM A126 Class B |
| | Valve plug | brass |
| | Stem | stainless steel |
| | Stem seal | NLP EPDM (no lip packing) |
| | Seat | Stainless steel AISI 316 |
| Suitable actuators | Non Fail-Safe | EVB(X) |
| | Spring | AF |
| | Electronic fail-safe | AVKB(X) |

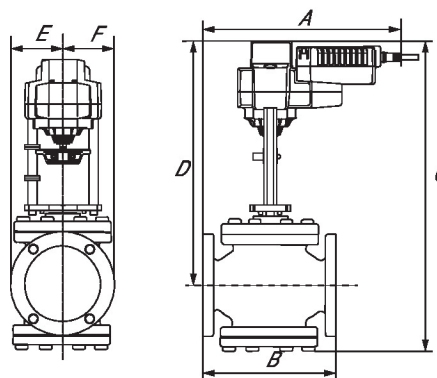
Safety notes



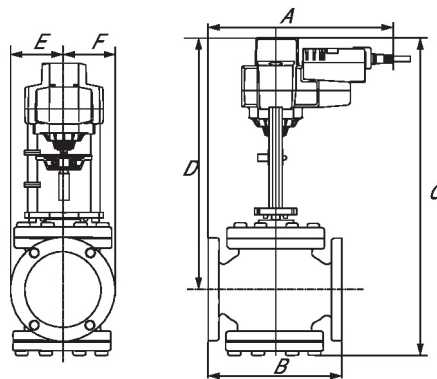
- **WARNING:** This product can expose you to chemicals including lead, which is known to the State of California to cause cancer and reproductive harm. For more information go to www.p65warnings.ca.gov
- The valve has been designed for use in stationary heating, ventilation and air-conditioning systems and must not be used outside the specified field of application, especially in aircraft or in any other airborne means of transport.
- Only authorized specialists may carry out installation. All applicable legal or institutional installation regulations must be complied with during installation.
- The valve does not contain any parts that can be replaced or repaired by the user.
- When determining the flow rate characteristic of controlled devices, the recognised directives must be observed.

Dimensions

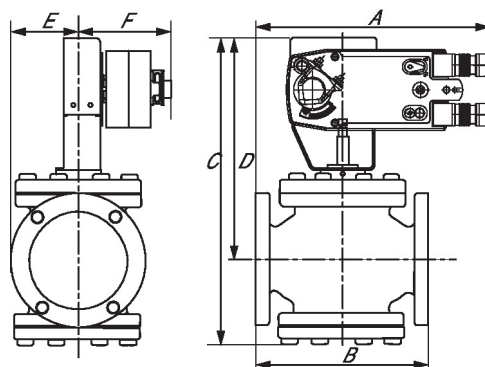
| Type | DN | Weight |
|-------|-------------|---------------------|
| G665C | 2 1/2" [65] | 56.88 lb [25.85 kg] |



| A | B | C | D | E | F | Number of Bolt Holes |
|-------------|------------|-------------|-------------|-----------|-----------|----------------------|
| 11.7" [298] | 9.0" [229] | 23.0" [584] | 18.3" [464] | 3.6" [92] | 3.6" [92] | 4 |



| A | B | C | D | E | F | Number of Bolt Holes |
|-------------|------------|-------------|-------------|-----------|------------|----------------------|
| 11.7" [298] | 9.0" [229] | 21.7" [550] | 16.9" [428] | 3.6" [92] | 5.3" [135] | 4 |



Dimensions

| A | B | C | D | E | F | Number of Bolt Holes |
|-------------|------------|-------------|-------------|-----------|-----------|----------------------|
| 11.7" [298] | 9.0" [229] | 23.0" [584] | 18.3" [464] | 3.6" [92] | 3.6" [92] | 4 |