

HOA-120V

For Use with On/Off 24V SY Actuators



Technical Data	
Power Supply	120 VAC \pm 10%, 50/60 Hz
Position Indication	dial
Humidity	5 to 95% RH non-condensing
Housing	NEMA 4X, IP67
Housing Material	die cast aluminum alloy
Servicing	maintenance free
Weight	4.6 lb [2.1 kg]

Application

The HOA unit provides local shut off of the SY actuator.

Operation

In normal operation, the green power light is lit and the switch is in the Auto position.

The On/Off version the switch has three positions:

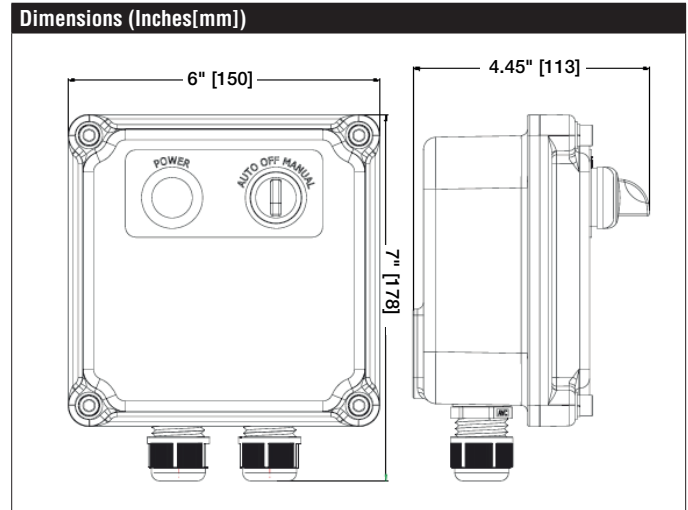
Auto: In this position the actuator/valve is controlled by the way the assembly was installed. The heater is active. The hand wheel can be turned to move the valve but the valve will immediately move back to control signal position when the hand wheel is released. The power light is on.

Off: In this position the actuator is without power. The heater is inactive. The hand wheel can be turned to move the valve to the desired position. The valve will stay in this position until the switch on the HOA is moved to the Auto position. The power light is off.

Manual: In this position the actuator is without power. The heater is active. This position is used when the actuator is inactive for extended periods of time and to keep the condensation in the actuator low. The power light is off.

Suitable Actuators

	Non-Spring
HOA-120V	SY



Date created, 09/14/2016 - Subject to change. © Belimo Aircontrols (USA), Inc.

Wiring Diagrams

Meets cULus requirements without the need of an electrical ground connection.



WARNING! LIVE ELECTRICAL COMPONENTS!

During installation, testing, servicing and troubleshooting of this product, it may be necessary to work with live electrical components. Have a qualified licensed electrician or other individual who has been properly trained in handling live electrical components perform these tasks. Failure to follow all electrical safety precautions when exposed to live electrical components could result in death or serious injury.

