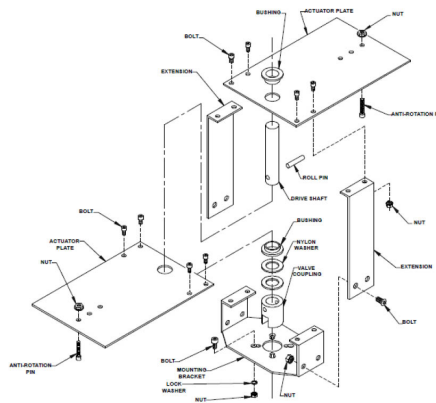




5-year warranty



**Technical data**

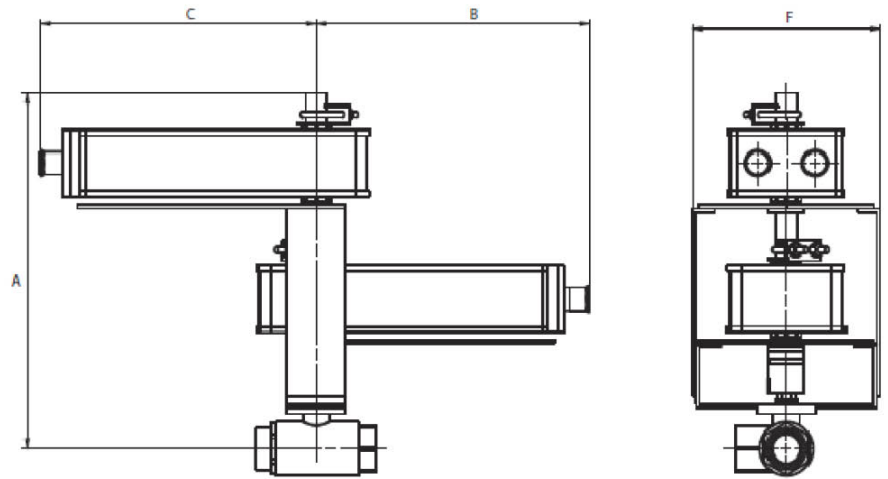
<b>Functional data</b>	Fluid	chilled or hot water and steam
	Fluid Temp Range (water)	-22...298°F [-30...148°C]
	Mounting Position	360°
	Applicable valve size	0.5...3" [15...80]
<b>Materials</b>	Spindle	stainless steel
	Bearing	bronze
	Frame, plate, base	stainless steel
	Coupling	stainless steel
<b>Suitable actuators</b>	Non-Spring	(2*GMB(X))
	Spring	(2*AFB(X))
	Electrical fail-safe	(2*GKB(X))

Custom Retrofit kits require a filled-out retrofit form on or before ordering. Close-off pressure will be approximate and are based on valve condition and actuator choice. For close-off pressure reference Select Pro or retrofit technical documentation.

**Product features**

- Default/Configuration** The actuator is sold separately from the linkage. This allows users to select any actuator with the desired control signal. Since the linkage utilizes standard airside or SY actuators, they can be purchased at any time and mounted in the field.
- Application** The UBSP Custom retrofit kit is designed to easily attach to the valve mounting pad on select competitor valves utilizing Belimo actuators. This kit will help to restore service without removal of the valve, saving down time. The UBSP retrofit kit is available in various configurations for use with both 2-way and 3-way valves utilizing single or dual actuation.
- Operation** The UBSP Custom kit and mounted actuator(s) are capable of rotating 95° in both CW and CCW directions. This allows the ball to fully open or close. When directional needs vary, the actuators can be flipped or directional switch turned to a new rotation. Refer to the actuator wiring guides on Master/Slave wiring for dual mounted actuators.

Dimensions



A	B	C	F
15.6" [396]	8.0" [203]	8.0" [203]	6.0" [152]