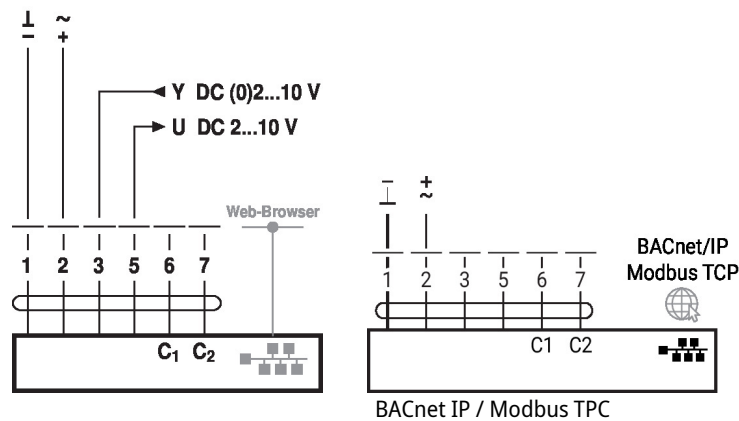
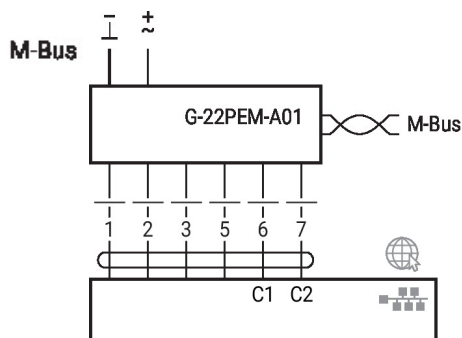
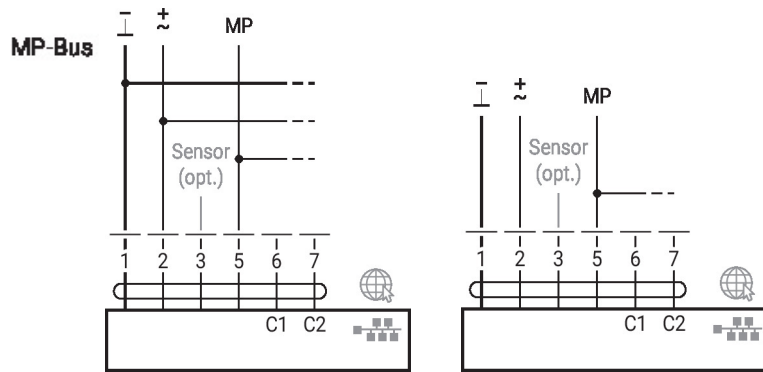
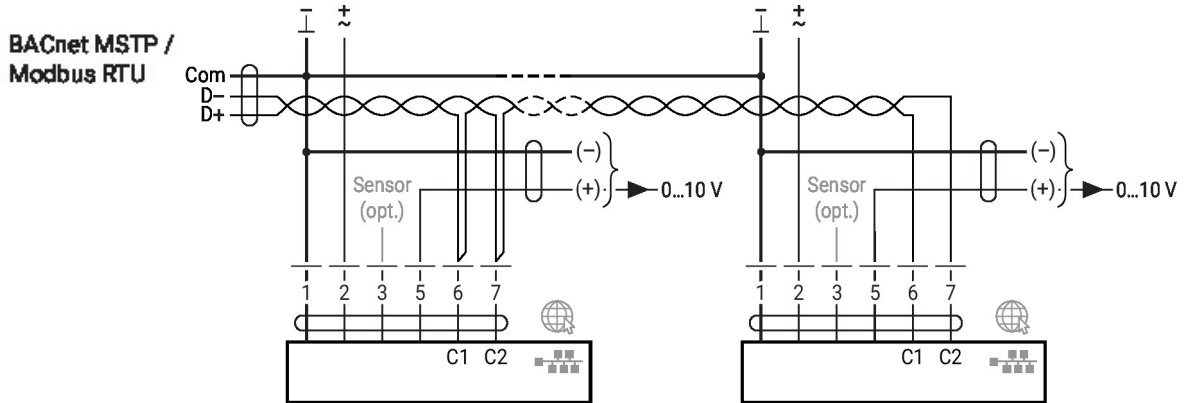
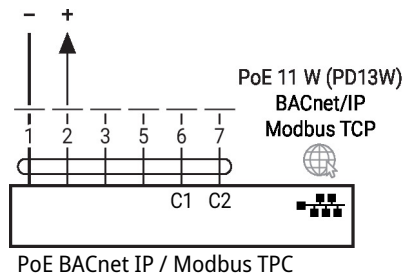


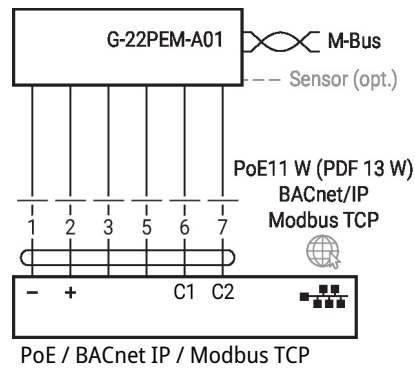
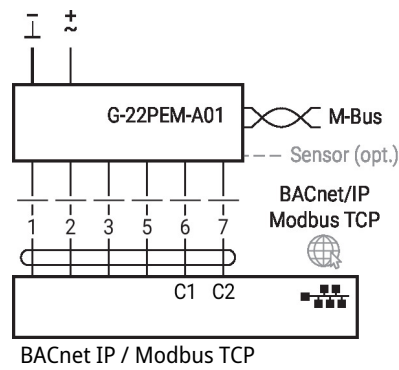
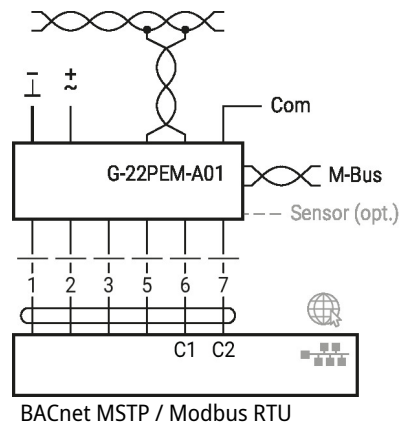
Hereby, Belimo Automation AG declares that the radio equipment type 22PE-1..N is in compliance with Directive 2014/53/EU. The full text of the EU declaration of conformity is available at the following internet address:



[www.belimo.com/DeclarationOfConformity](http://www.belimo.com/DeclarationOfConformity)







Sensor (optional)

