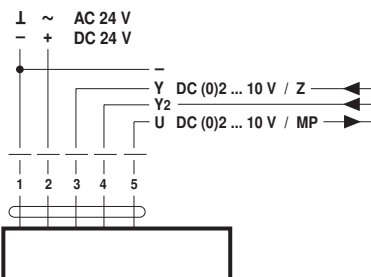




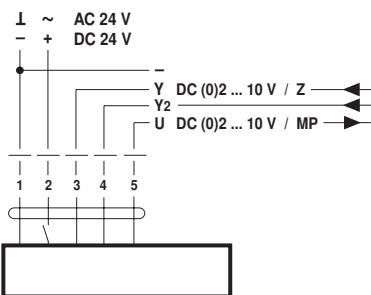
BELIMO

AV(Y)24-MFT(2)(-R)
AV24-MFT2(-R)-C105
AV(Y)24LON

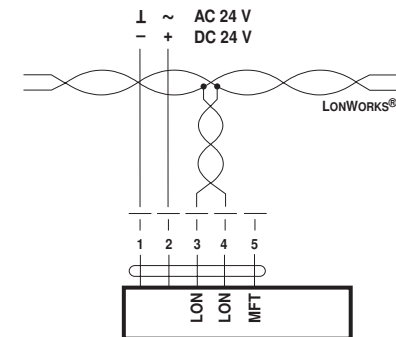
AV(Y)24-MFT(2)(-R)

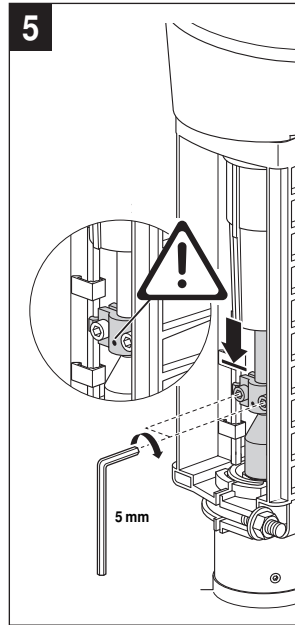
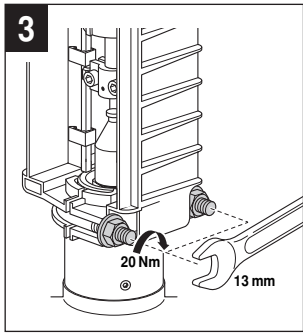
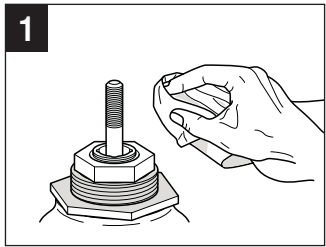


AV24-MFT2(-R)-C105



AV(Y)24LON

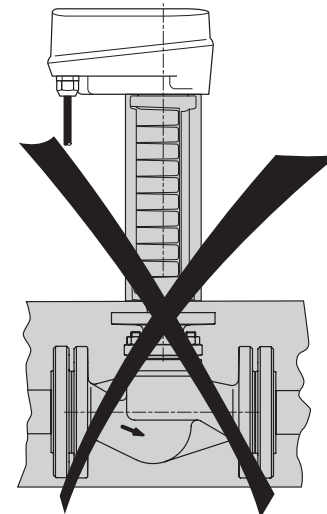
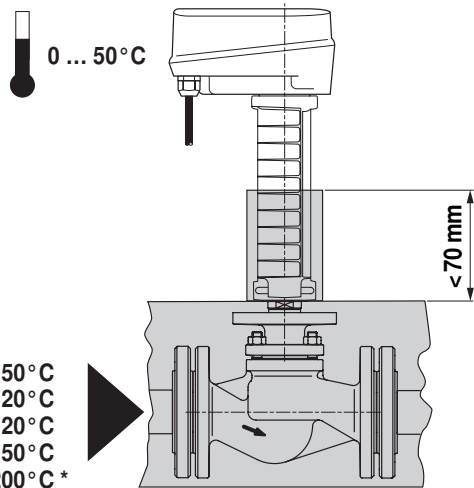
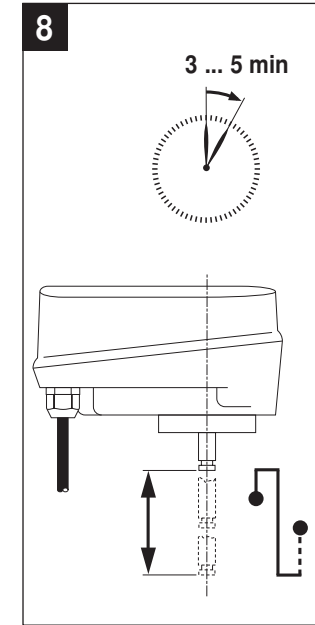
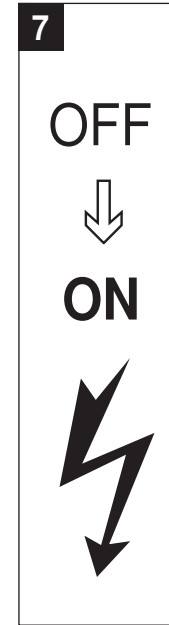
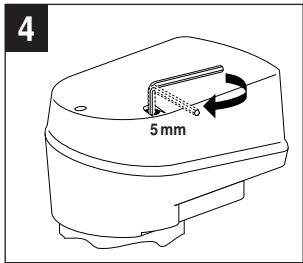
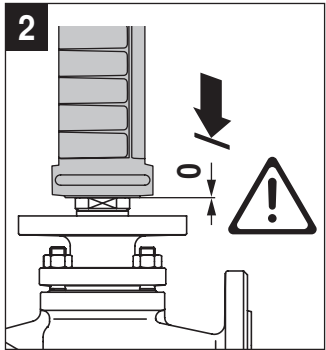




6

S3.1	Symbol
ON 1	
S3.2	Symbol
	▲ H67..N H67..R H7..X..S2 H7..Y..S2
ON 2	▼ H6..S H6..SP H6..X..S(P)2

H1 S1 S2
 (M)
 S3
 ON 1 2
 ↑ ↓
 1 2 3 4 5
 ⊥ ~ 1/2 Y2 U/MP



- H6..S / H6..SP max. 150 °C
- H6..N / H7..N max. 120 °C
- H6..R / H7..R max. 120 °C
- H6..X..S2 max. 150 °C
- H7..X..S2 max. 200 °C *
- H7..Y..S2 max. 200 °C *

