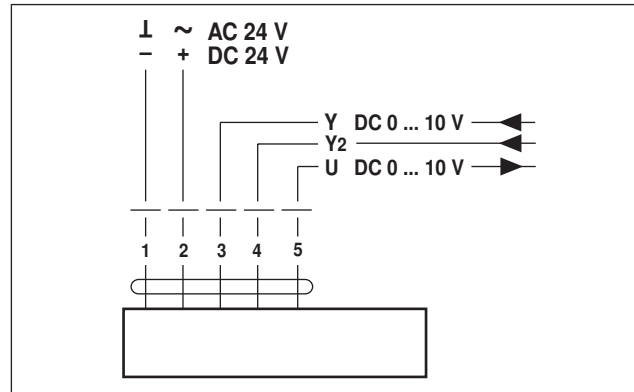


BELIMO

NVF(Y)24-MFT..(-E)(-T)

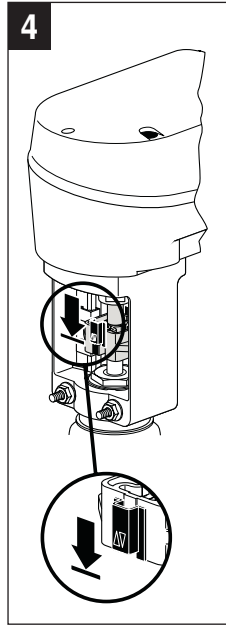
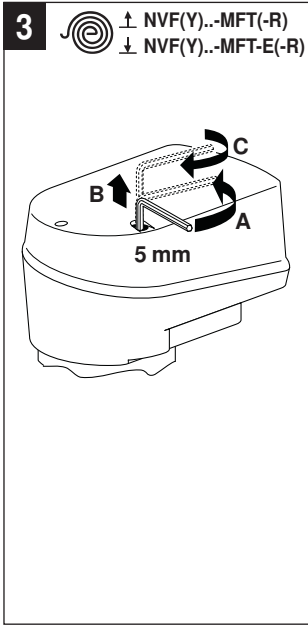
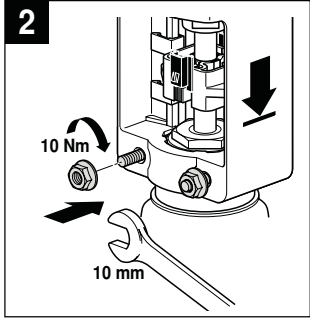
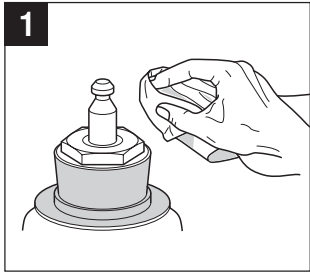


NVF24-MFT(-E)-R



70448.E

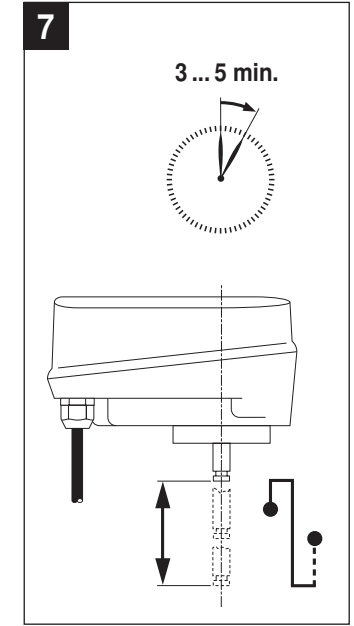
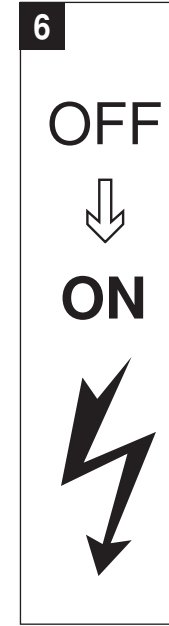




5

S3.1	Symbol
1	
ON 1	
S3.2	Symbol
2	▲ H4/5..B H6/7..N H6/7..R H7..X..-S2 H7..Y..-S2
ON 2	▼ H6..S H6..SP H6..X..-S(P)2

H1 (NV..MF..) S1 S2
 (M)
 1 2 3 4 5
 $\frac{1}{2}$ \sim Y/Z U/MP
 !



0...50°C

< 30 mm

	H6..S / H6..SP max. 150°C H4..B / H5..B max. 120°C H6..N / H7..N max. 120°C H6..R / H7..R max. 120°C H6..X..-S2 max. 150°C H7..X..-S2 max. 200°C* H7..Y..-S2 max. 200°C*
--	--

