

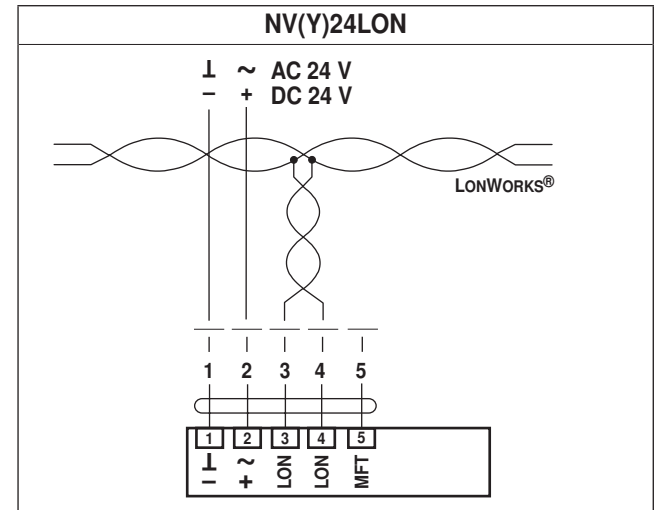
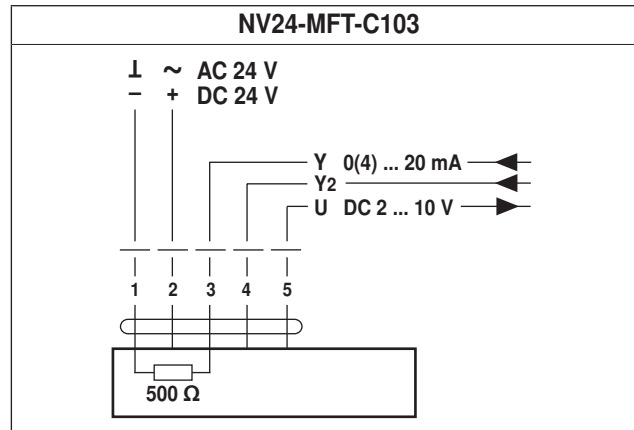
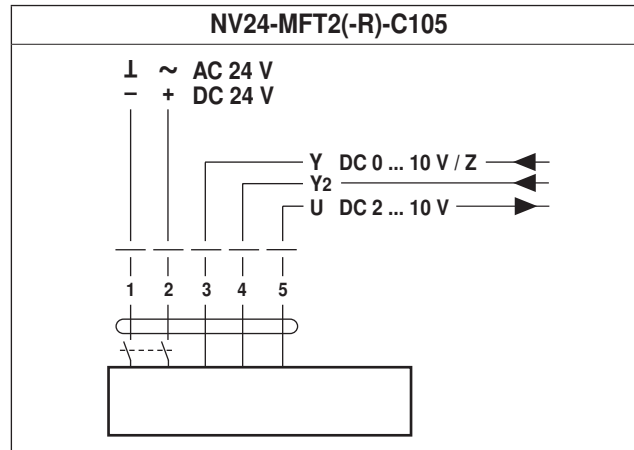
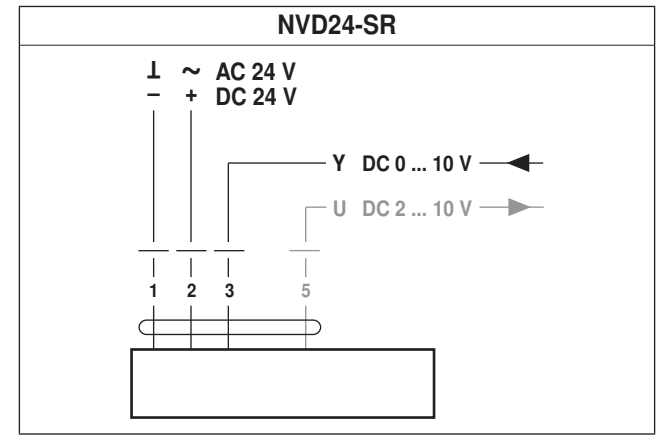
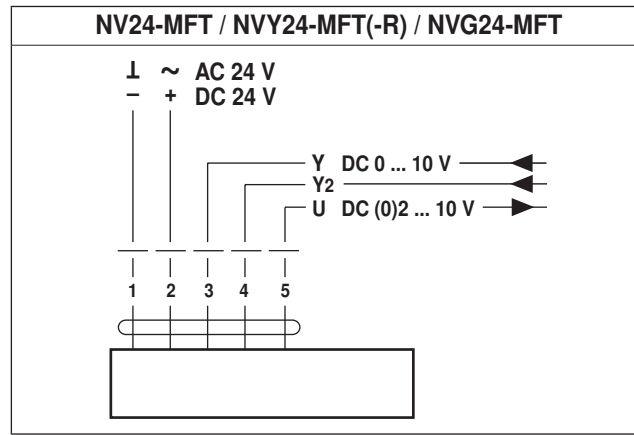
70607-00001.J

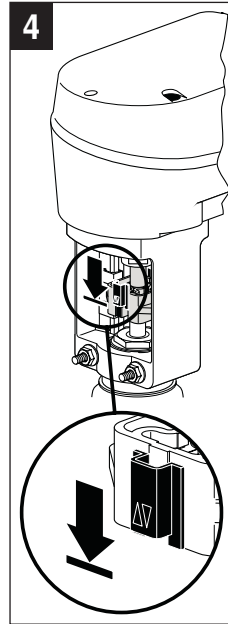
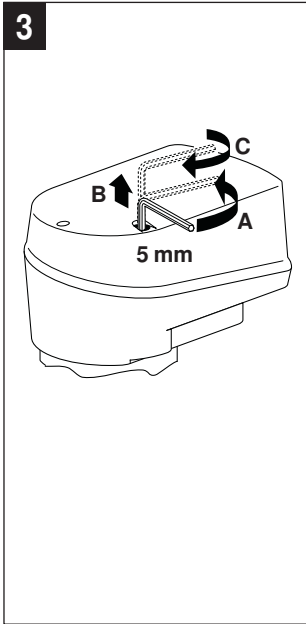
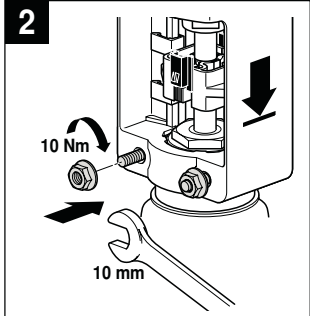
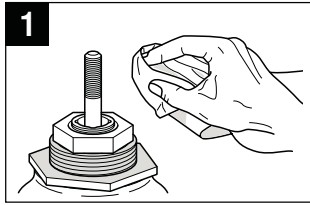


NV(Y)(G)24-MFT(2)
 NV24-MFT-C103
 NV24-MFT2-C105
 NV(Y)(G)24LON
 NVD24-SR



NVY24-MFT-R(-C105)



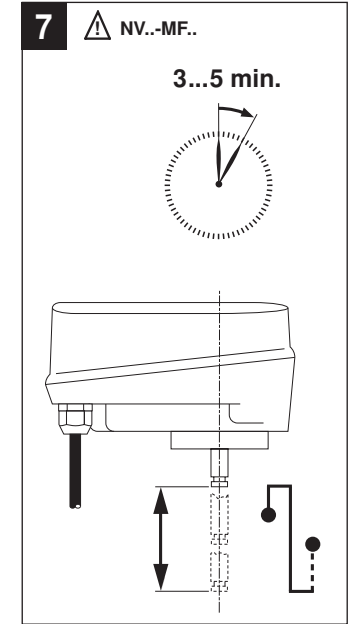


5

S3.1	Symbol
	H
	H

S3.2	Symbol
	▲ H4/5..B H6/7..N H6/7..R H7..X..S2 H7..Y..S2
	▼ H6..S H6..SP H6..X..S(P)2

⚠



0...50°C

< 30 mm

	H6..S / H6..SP	max. 150°C
	H4..B / H5..B	max. 120°C
	H6..N / H7..N	max. 120°C
	H6..R / H7..R	max. 120°C
	H6..X..S2	max. 150°C
	H7..X..S2	max. 200°C *
	H7..Y..S2	max. 200°C *

