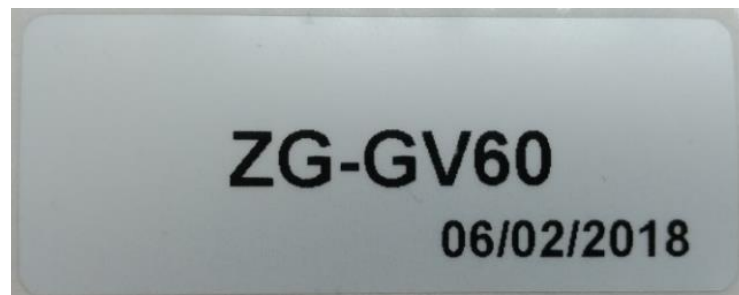


Repack kit complete





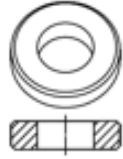



Label with naming and production date





Bill of material and instruction sheet with the assembly process

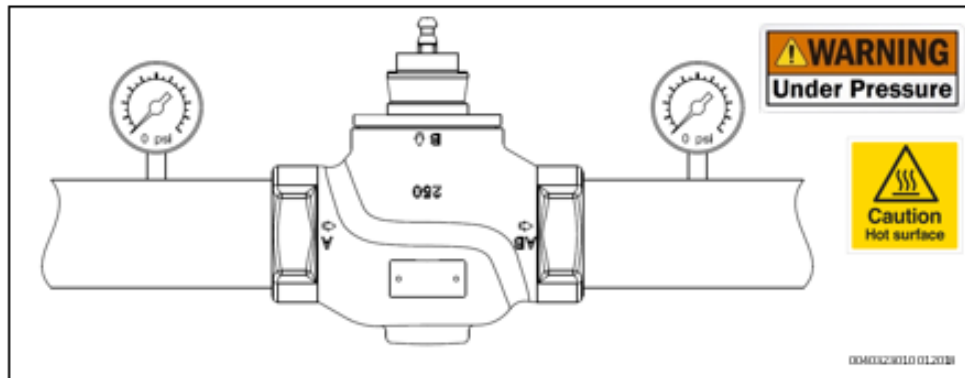


ZG-GV60 G2...B / G2...S / G3...B

| Content | Size [inch] | Qty | Content | Size [inch] | Qty | |
|---|----------------------|-----|---|---------------|-----|----------------------|
|  | Ø 0.39 / 0.67 x 0.04 | 2x |  | Ø 0.67 x 0.04 | 2x | |
|  | Ø 0.31 / 0.61 x 0.16 | 2x |  | 1/2" – 3/4" | 1x | |
| | | | | 1" | | Ø 0.94 / 1.14 x 0.08 |
| | | | | 1 1/4" | | Ø 1.42 / 1.65 x 0.08 |
| | | | | 1 1/2" | | Ø 2.05 / 2.36 x 0.08 |
| | | | | 2" | | Ø 2.52 / 2.83 x 0.10 |
|  | Ø 0.3 x 0.1 | 2x |  | Lubrication | 1x | |

Needed Tools

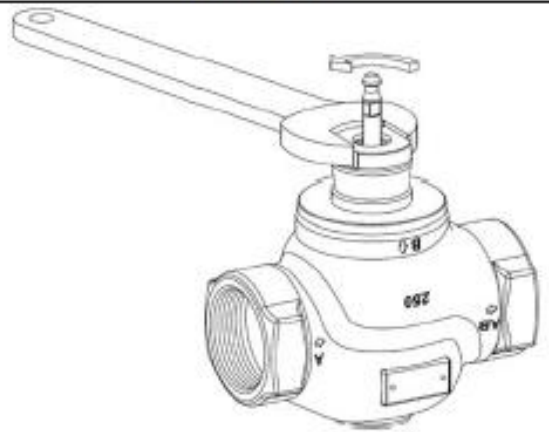
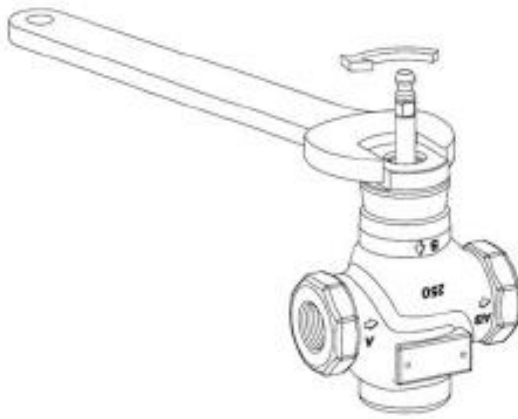
| | |
|---|---------------|
|  | AF 1.06 |
|  | J1 (Ø = 0.05) |



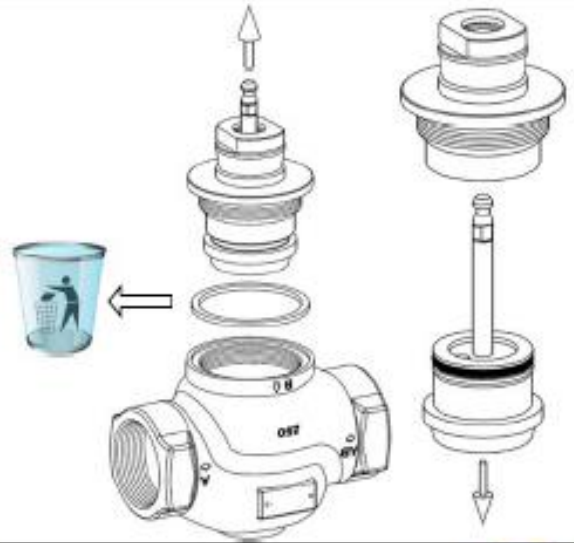
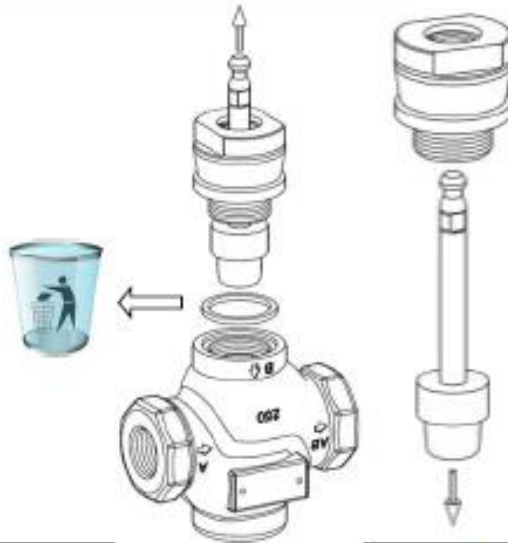
2-WAY 1/2" - 3/4" / 3-WAY

2-WAY 1" - 2"

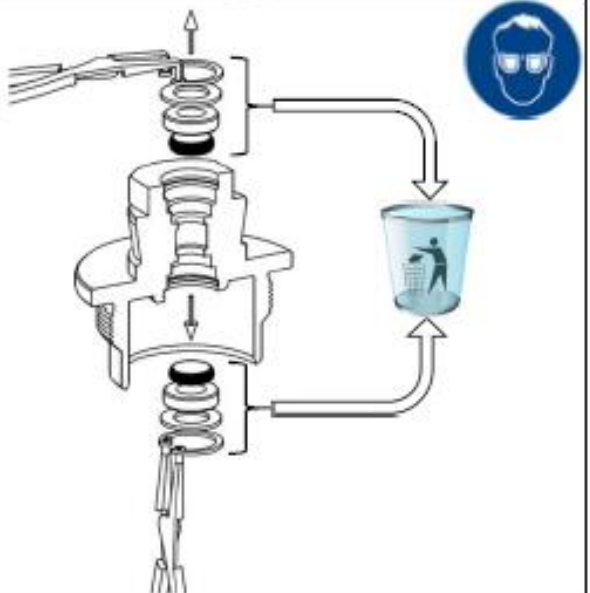
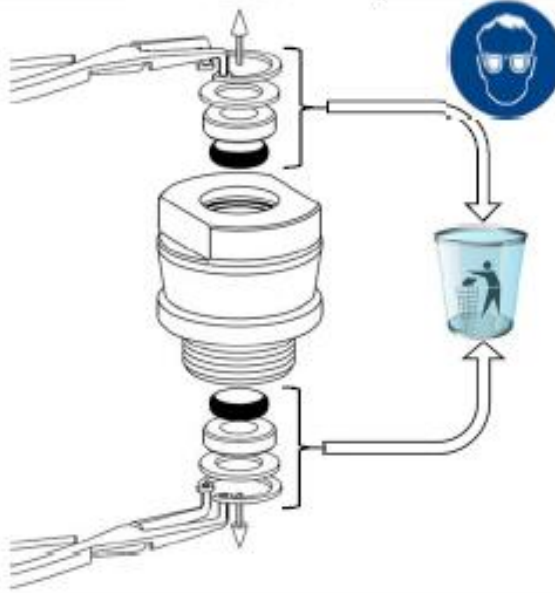
1



2



3



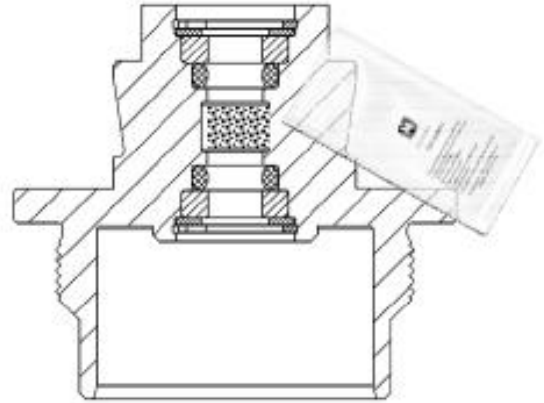
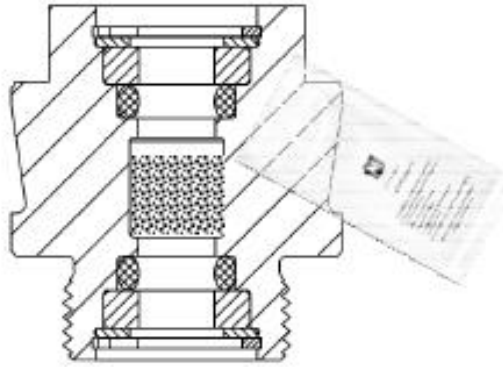
2-WAY 1/2" - 3/4" / 3-WAY

2-WAY 1" - 2"

4



5



6

