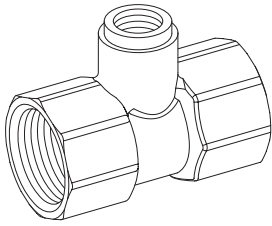
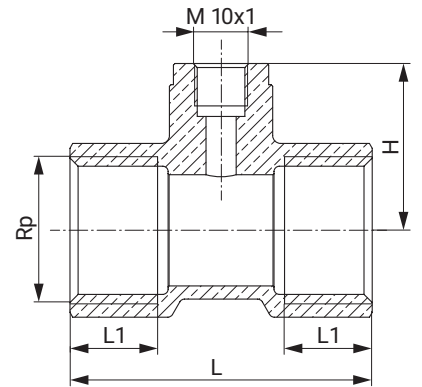


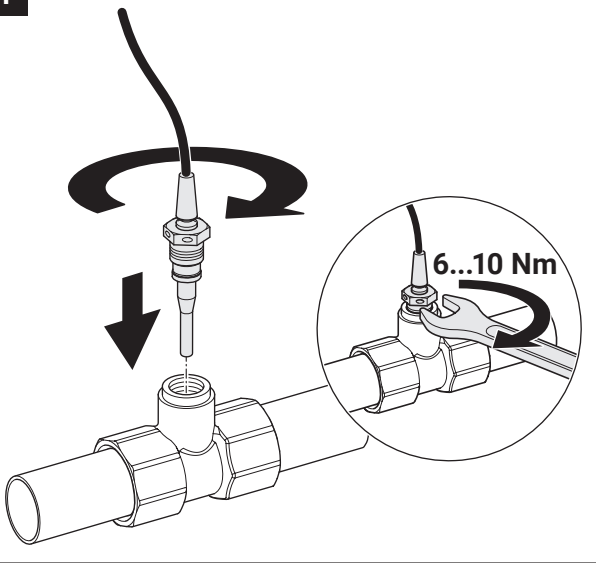
**i**



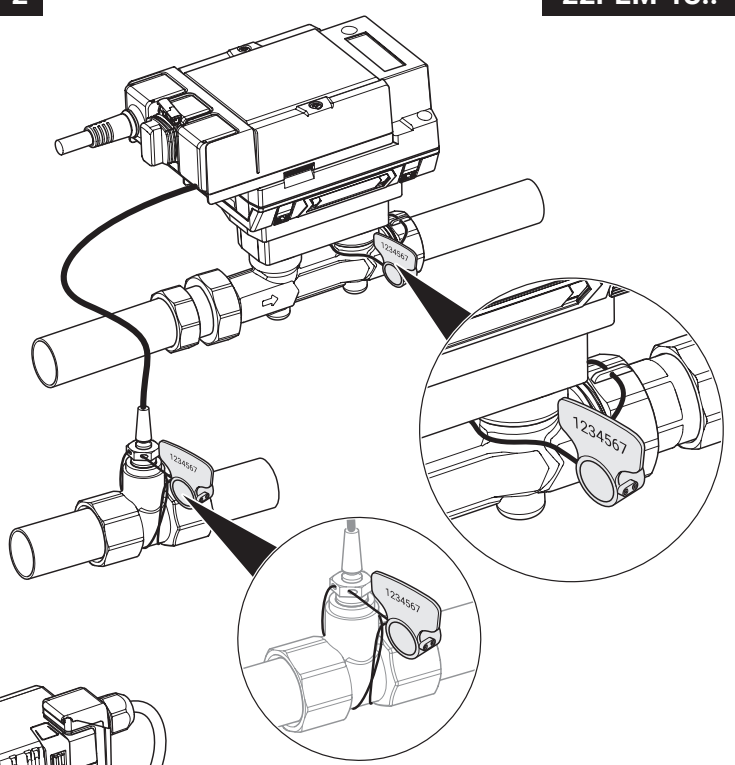
	DN	Rp	L1 ±0.2	L ±0.4	H ±0.5
A-22PEM-A06	15	1/2"	15.25	52.5	34.0
A-22PEM-A07	20	3/4"	16.55	57.1	31.5
A-22PEM-A08	25	1"	19.35	64.7	29.0
A-22PEM-A09	32	1 1/4"	21.65	70.5	37.0
A-22PEM-A10	40	1 1/2"	22.25	70.5	35.0
A-22PEM-A11	50	2"	26.55	80.1	49.0



**1**



**2**



**22PEM-1U..**

**EV..R2+MID**

