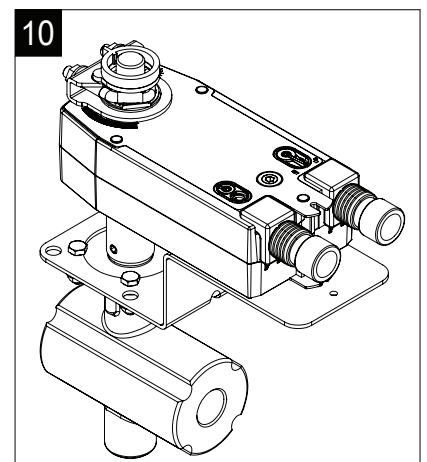
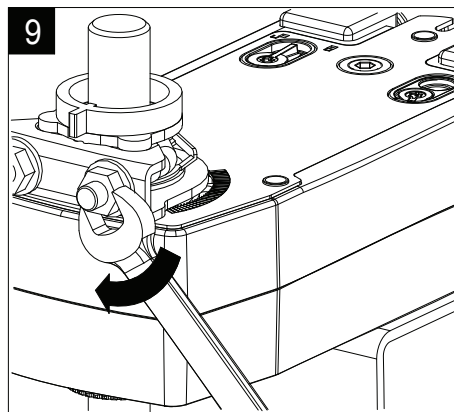
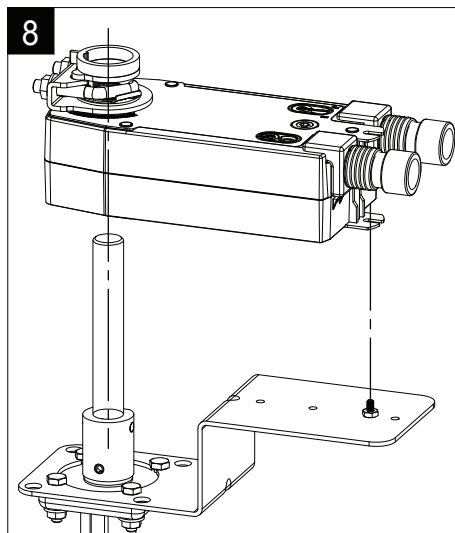
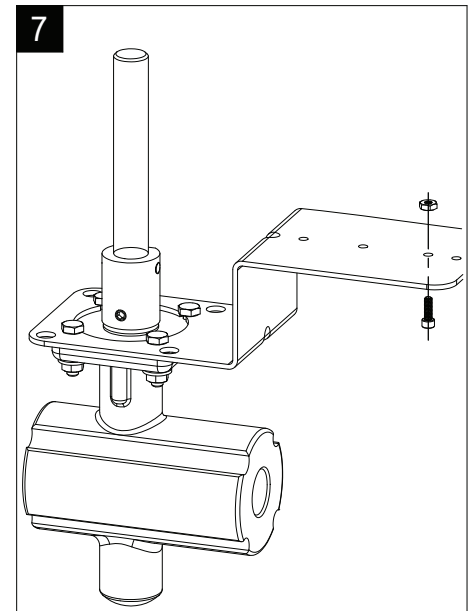
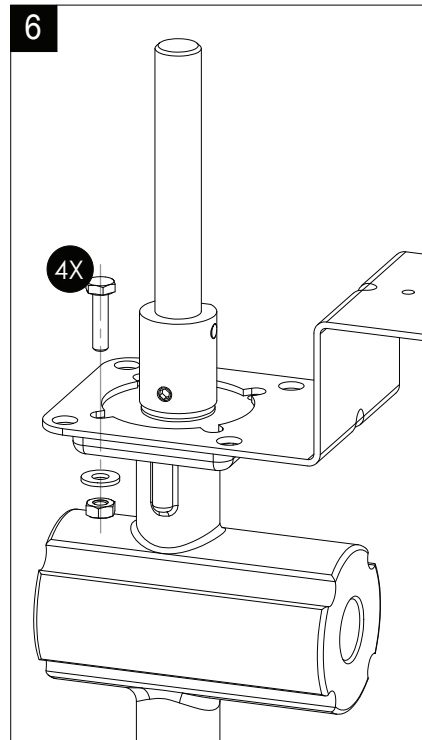
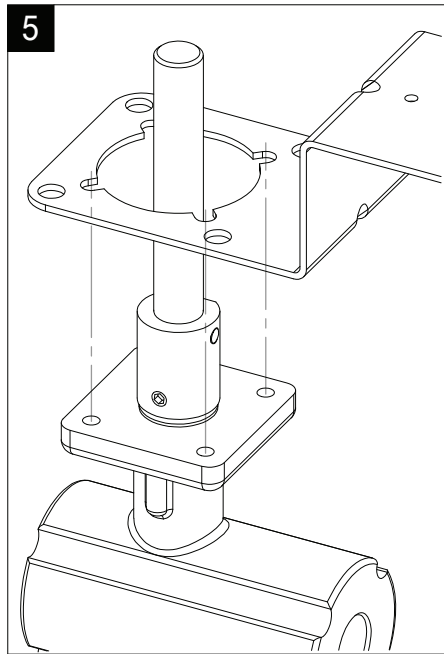
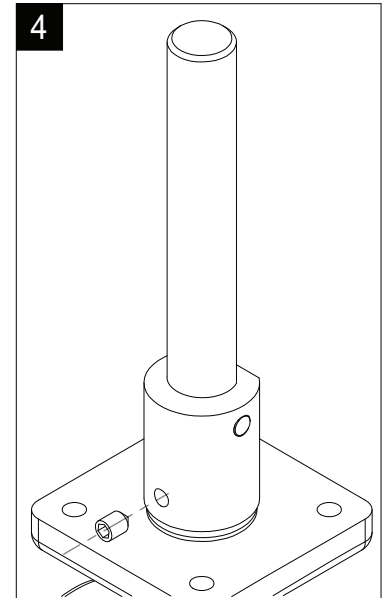
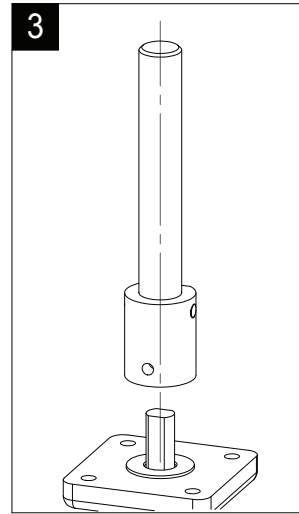
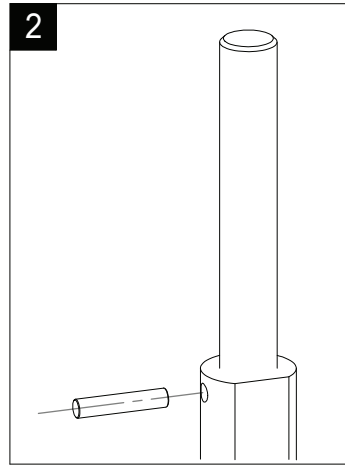
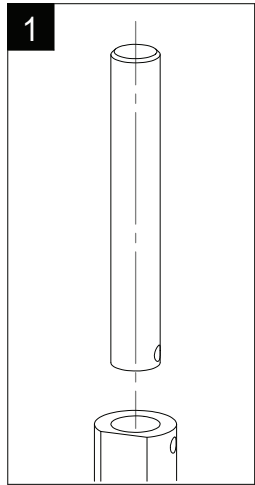
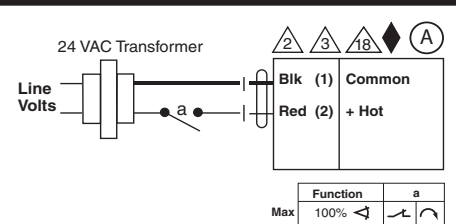


71498-0001

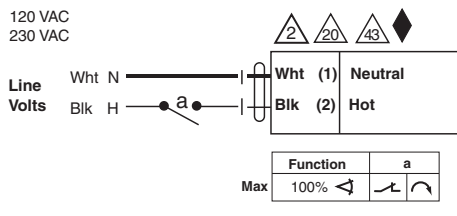
AF-X1 and NF-X1 Actuators with B2 V Ball Valves



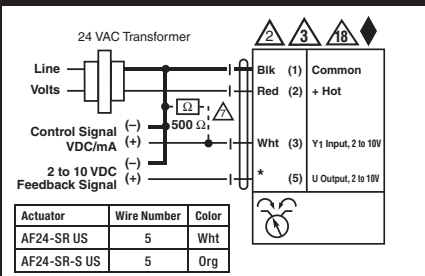
Spring Return Actuator with On/Off, Floating Point and -SR



On/Off

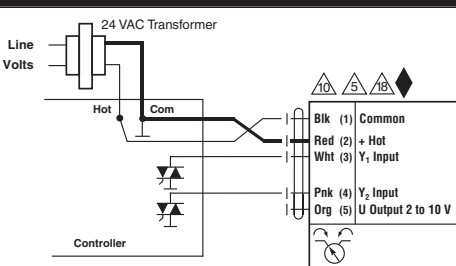


24 VAC up to 240 VAC

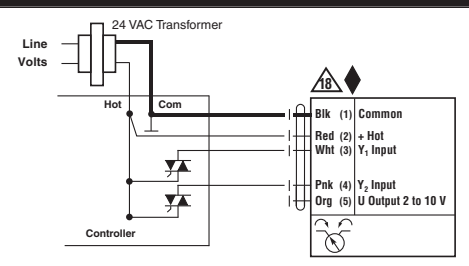


VDC / 4 to 20 mA

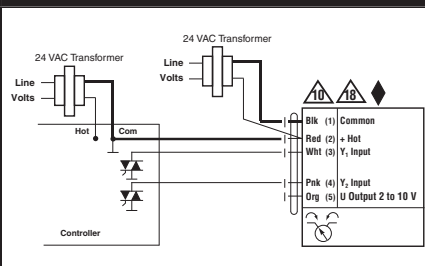
Spring Return Actuator with MFT



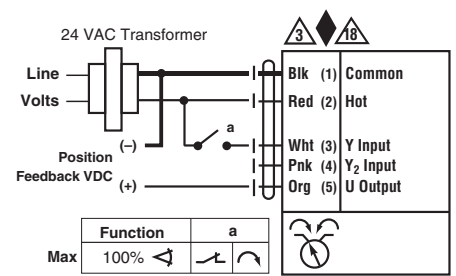
Triac Sink



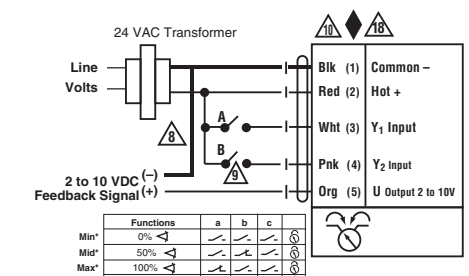
Triac Source



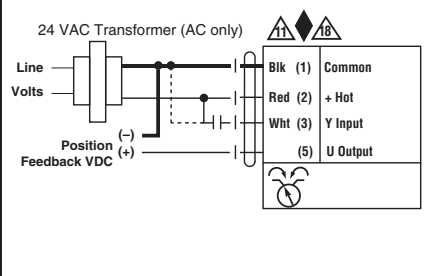
Triac Sink with Separate Transformer



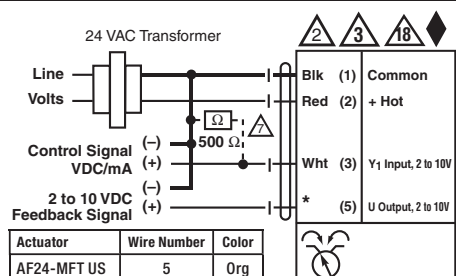
On/Off



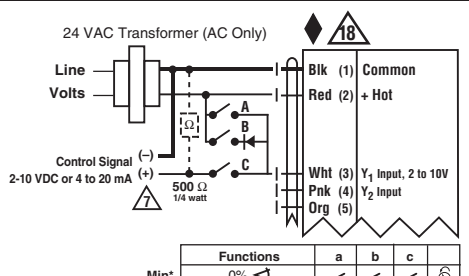
Floating Point



PWM

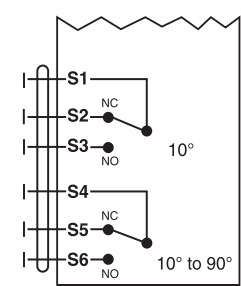


VDC / 4 to 20 mA

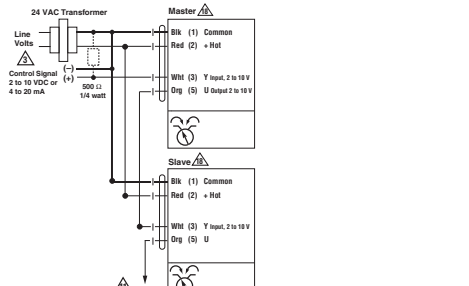


Override Control Min, Mid, Max Postions

- Notes:**
- ◆ Meets cULus requirements without the need of an electrical ground connection
 - Ⓐ Actuators with appliance cables are numbered.
 - Ⓐ Actuators may be connected in parallel. Power consumption and input impedance must be observed.
 - Ⓐ Actuators may also be powered by 24 VDC.
 - Ⓐ Only connect common to neg. (-) leg of control circuits.
 - Ⓐ A 500 Ω resistor converts the 4 to 20 mA control signal to 2 to 10 VDC.
 - Ⓐ Control signal may be pulsed from either the Hot (Source) or Common (Sink) 24 VAC line.
 - Ⓐ Contact closures A & B also can be triacs. A & B should both be closed for the triac source and open for triac sink.
 - Ⓐ For triac sink the Common connection from the actuator must be connected to the Hot connection of the controller. Position feedback cannot be used with a triac sink controller. The actuator internal common reference is not compatible.
 - Ⓐ Actuators may be connected in parallel if not mechanically mounted to the same shaft. Power consumption and input impedance must be observed.
 - Ⓐ Actuators with plenum rated cable do not have numbers on wires; use color codes instead.
 - Ⓐ All 120 VAC, 230 VAC, and UP actuators use appliance rated cables.
 - Ⓐ UP models use "L" instead of "H" on #2 wire.



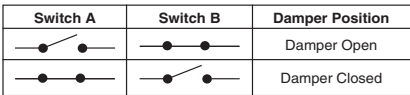
Auxiliary Switches



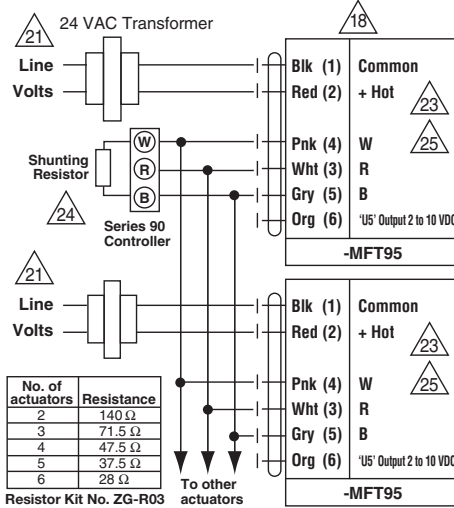
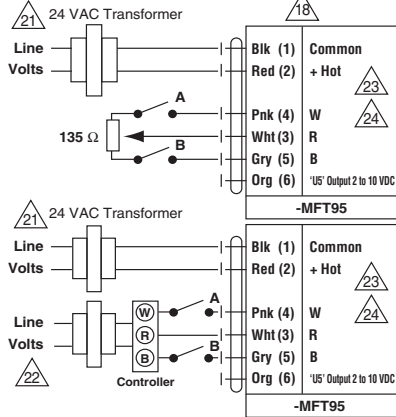
VDC / 4 to 20 mA (Master/Slave)

- GRN Green
- Verde Verde
- Verd Vert
- Verde Verde
- ORG Orange
- Anaranjado Aranjado
- ORANGE Orange
- Alaranjado Alaranjado
- PNK Pink
- Rosado Rosado
- Rosa Rosa
- Cor-de-ros Cor-de-ros
- WHT White
- Blanco Blanco
- Blanc Blanc
- Branco Branco
- RED Red
- Rojo Rojo
- Rouge Rouge
- Vermelho Vermelho
- BLK Black
- Negro Negro
- Noir Noir
- Preto Preto

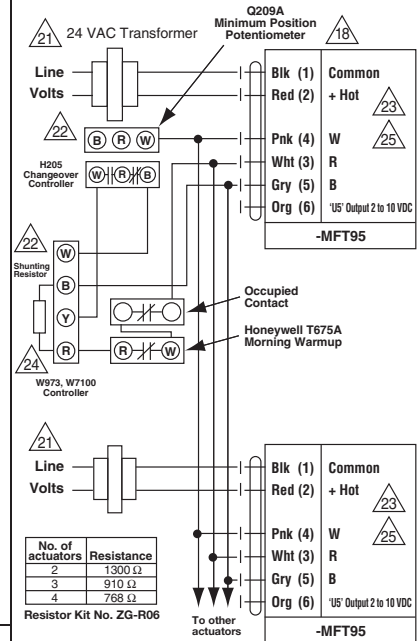
MFT95



The direction of rotation switch is set so that the fail safe position and the position of the damper is closed with no signal at wire R.



Wiring multiple actuators to a Series 90 Controller

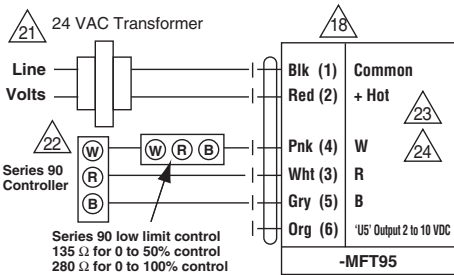


No. of actuators	Resistance
2	1300 Ω
3	910 Ω
4	768 Ω

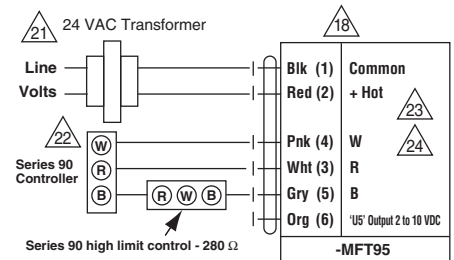
Resistor Kit No. ZG-R06

Used with the W973 and W7100 controllers

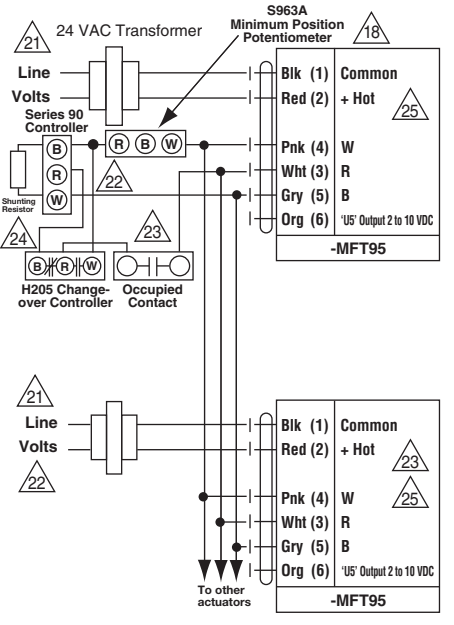
Override



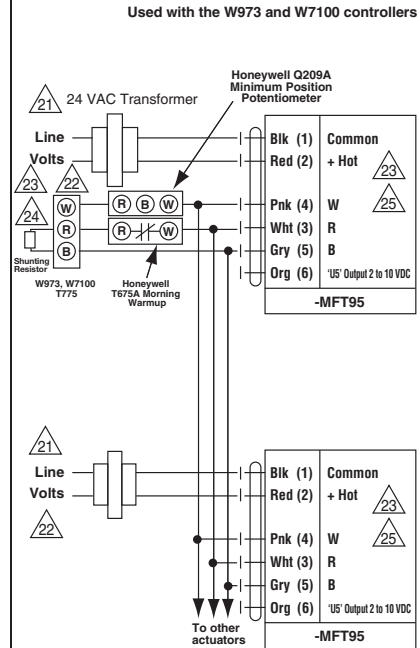
Low Limit Control



High Limit Control



Wiring Multiple Actuators to a Series 90 Controller using Minimum Position Potentiometer



Typical Wiring Diagrams for Multiple Actuators used with the W973, W7100 and T775 controllers

Notes:

- Actuators with plenum rated cable do not have numbers on wires; use color codes instead.
- Provide overload protection and disconnect as required.
- Actuators and controller must have separate transformers.
- Consult controller instruction data for more detailed information.
- Resistor value depend on the type of controller and the number of actuators. No resistor required for one actuator. Honeywell® resistor kits may be used.
- To reverse control rotation, use the reversing switch.

- Slave**
- Slave
- Esclavo
- Esclavo
- Esclavo
- Esclavo
- Master**
- Master
- Amo
- Maitre
- Mestre
- BRN**
- Brown
- Marron
- Brun
- Marron
- BLU**
- Blue
- Azul
- Bleu
- Azul
- GRY**
- Gray
- Gris
- Gris
- Cincento
- ORG**
- Orange
- Anaranjado
- Orange
- Alaranjado
- PNK**
- Pink
- Rosado
- Rosa
- Cor-de ros
- WHT**
- White
- Blanco
- Bianc
- Branco
- RED**
- Red
- Rolo
- Rouge
- Vermelho
- BLK**
- Black
- Negro
- Noir
- Preto