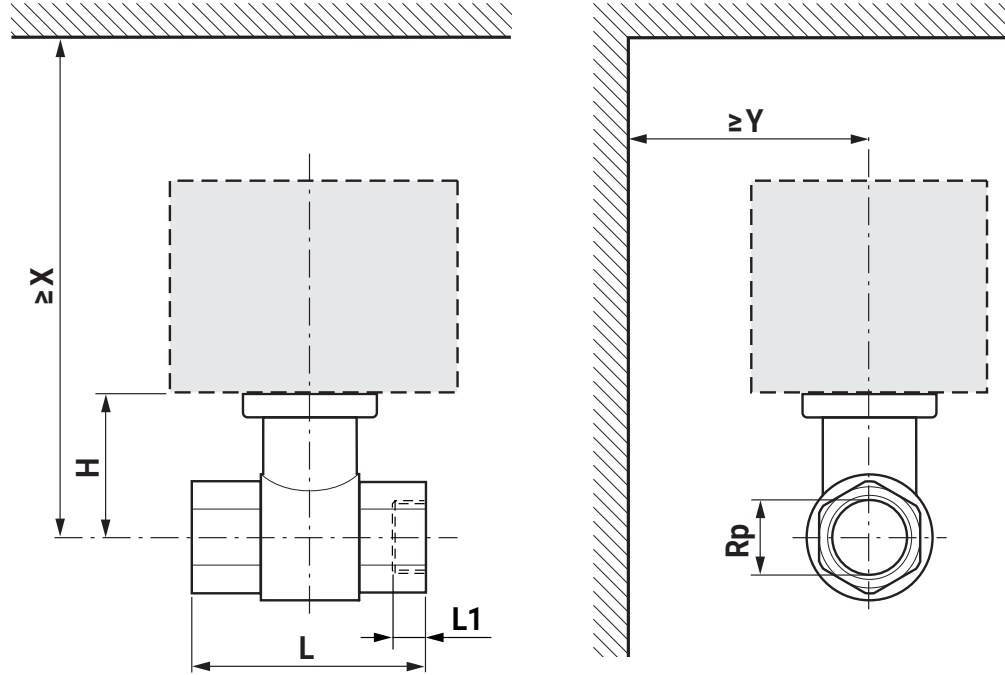





C2..QPW-N



72136-00001.A



t 5...100°C								
	ps	DN	Rp	L	H	L1	X	Y
	kPa	mm	"	mm				
C215QPW-N	4000	15	1/2"	64.4	18	15.5	115	35

