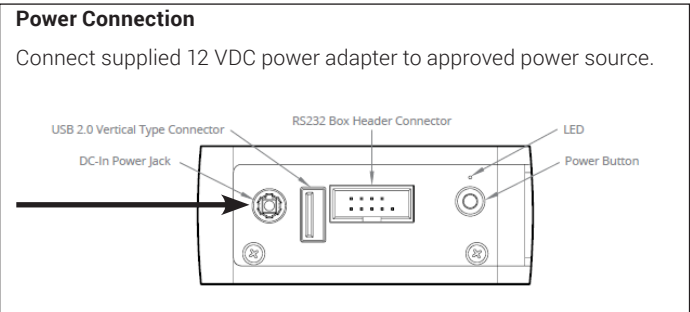
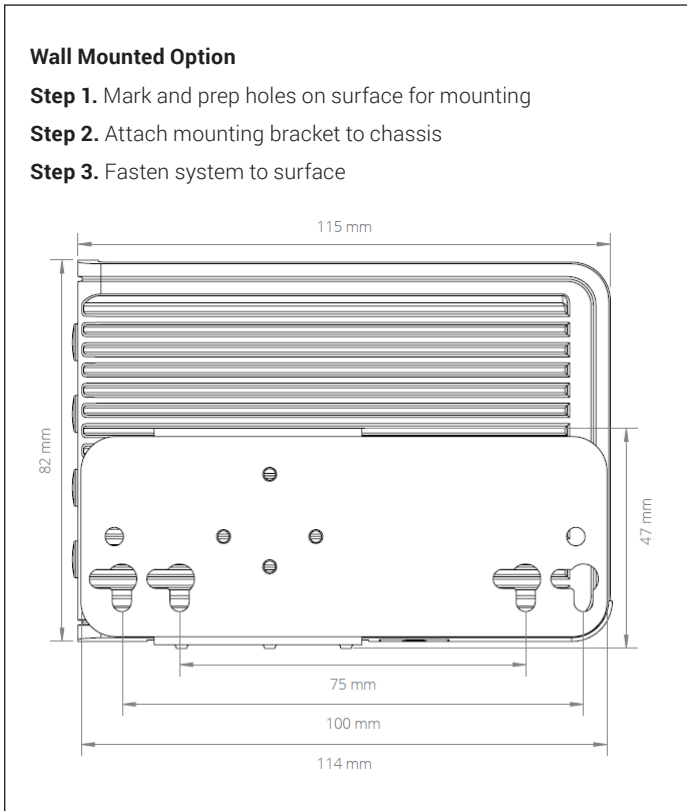
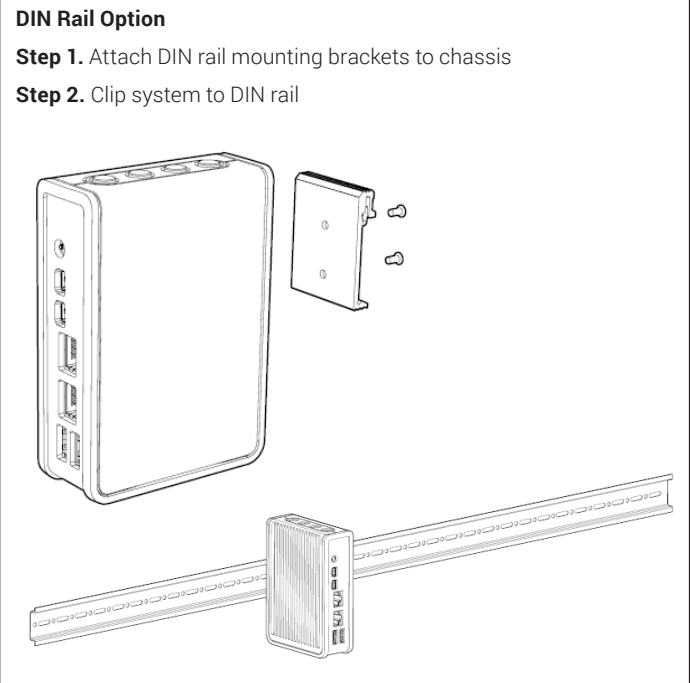
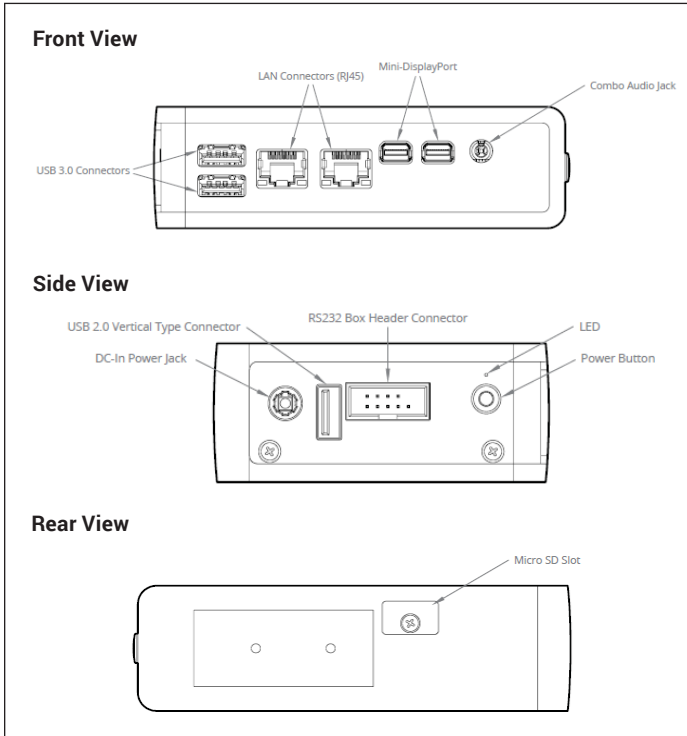


Belimo Clear Edge Device



70730-00001-A

INSTALLATION / MOUNTING



GENERAL WARNINGS

1. Do not open or modify the device. The device uses components that comply with FCC and CE regulations. Modification of the device will void these certifications.
2. Install the device securely. Be careful handling the device to prevent injury and do not drop.
3. Wall or ceiling mounting device requires use of a mounting plate or bracket. Plate or bracket must be of metal construction and have a minimum thickness of 1mm.
4. Use M3x0.5mm Flat Head screws to attach mounting plate or mounting brackets to threaded holes on bottom of chassis. Screws should be minimum length of 4mm. Add 1mm of screw length for every mm of additional thickness of plate or bracket beyond 1.5mm.
5. Operational temperature must be between 32°F-122°F [0°C-50°C] with a non-condensing relative humidity of 10-90%.
6. The device can be stored at temperatures between 32°F-122°F [0°C-60°C].
7. Keep the device away from liquids and flammable materials.
8. Do not clean the device with liquids. The chassis can be cleaned with a cloth.
9. Allow at least 2 inches of space around all sides of the device for proper cooling.

Quick Start Guide

Quick Start instructions are intended for users that are connecting to the Belimo Clear Edge.

Supported Hardware

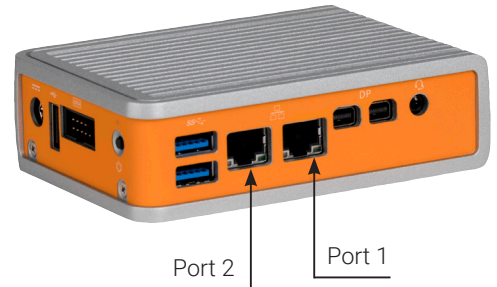
- EAP005, EAP020, EAP050

Default IP Settings

- Port 1: (Configurable)
 - IP Address: DHCP
- Port 2: (Service Port)
 - IP Address: 100.100.1.100
 - Subnet: 255.255.255.0

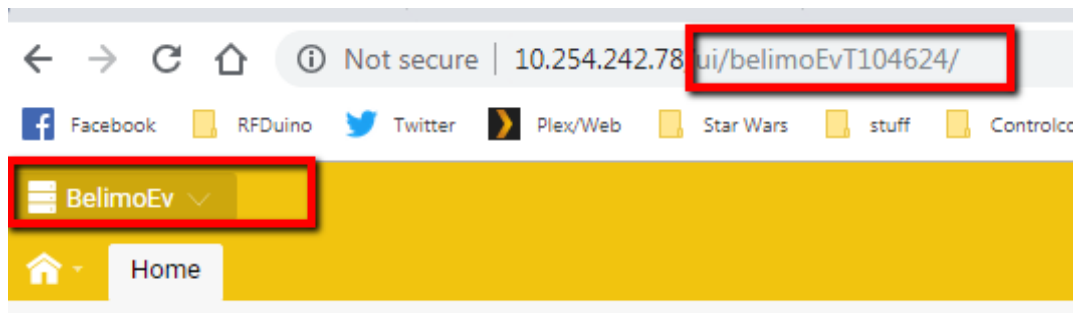
Default Credentials

- Administrator:
 - Username: admin
 - Password: Admin
- Operator:
 - Username: belimo
 - Password: Belimo



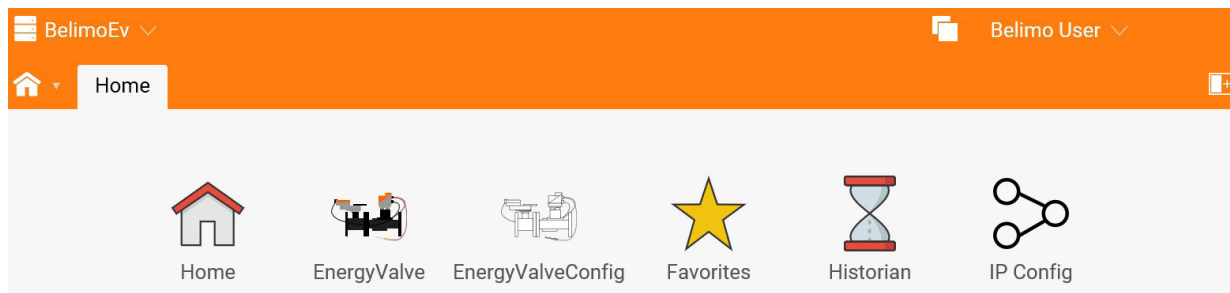
Application Details

The default application installed will follow a consistent naming pattern for uniqueness. This naming convention is as follows: belimoEv<serialNumber>
The UI will display as BelimoEv without the serial number.



Changing IP Settings

1. Plug a network cable from a computer to the Service Port of the device. Change computer network settings as appropriate to access the application in a web browser on the IP address provided above.
2. Log in using the admin user.
3. Click the BelimoEv project, then select the IP Config App.



4. Change the IP settings for Port 1 as required and click submit.

Submit

DHCP True

IP Address

CIDR 24 - 255.255.255.0

Default Gateway

DNS 1

DNS 2

ipConfigTemplate ✓

5. Plug the device into the building's network on Port 1.

Energy Valve Pod Introduction

Your Automated Energy Valve Application includes two Apps.

1. EnergyValveConfig – Provides configuration, settings for the installer or provider.
2. EnergyValve – Provides visualizations for the end-user.

Access to each App can be configured independently through the Host > User View.

