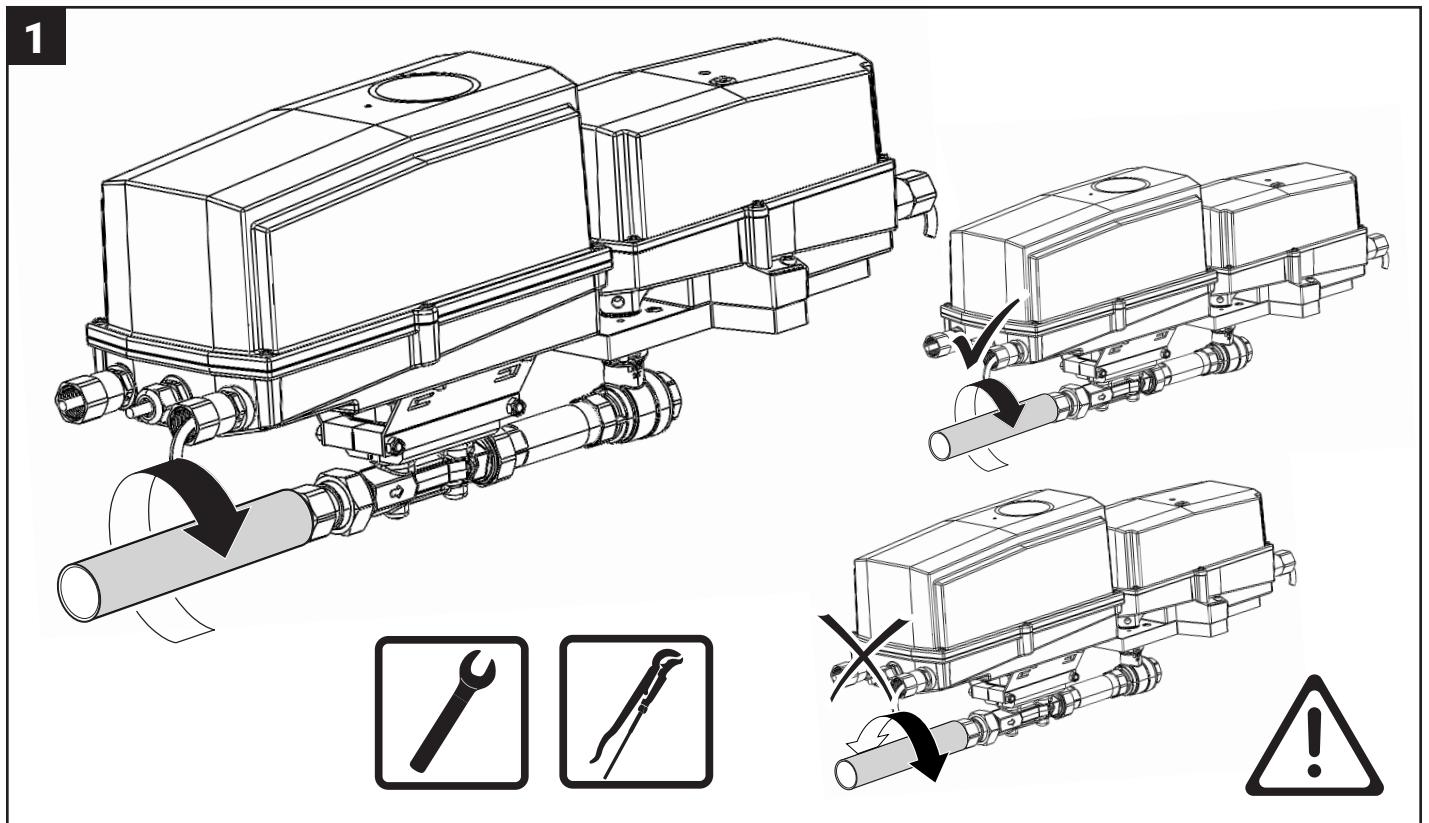
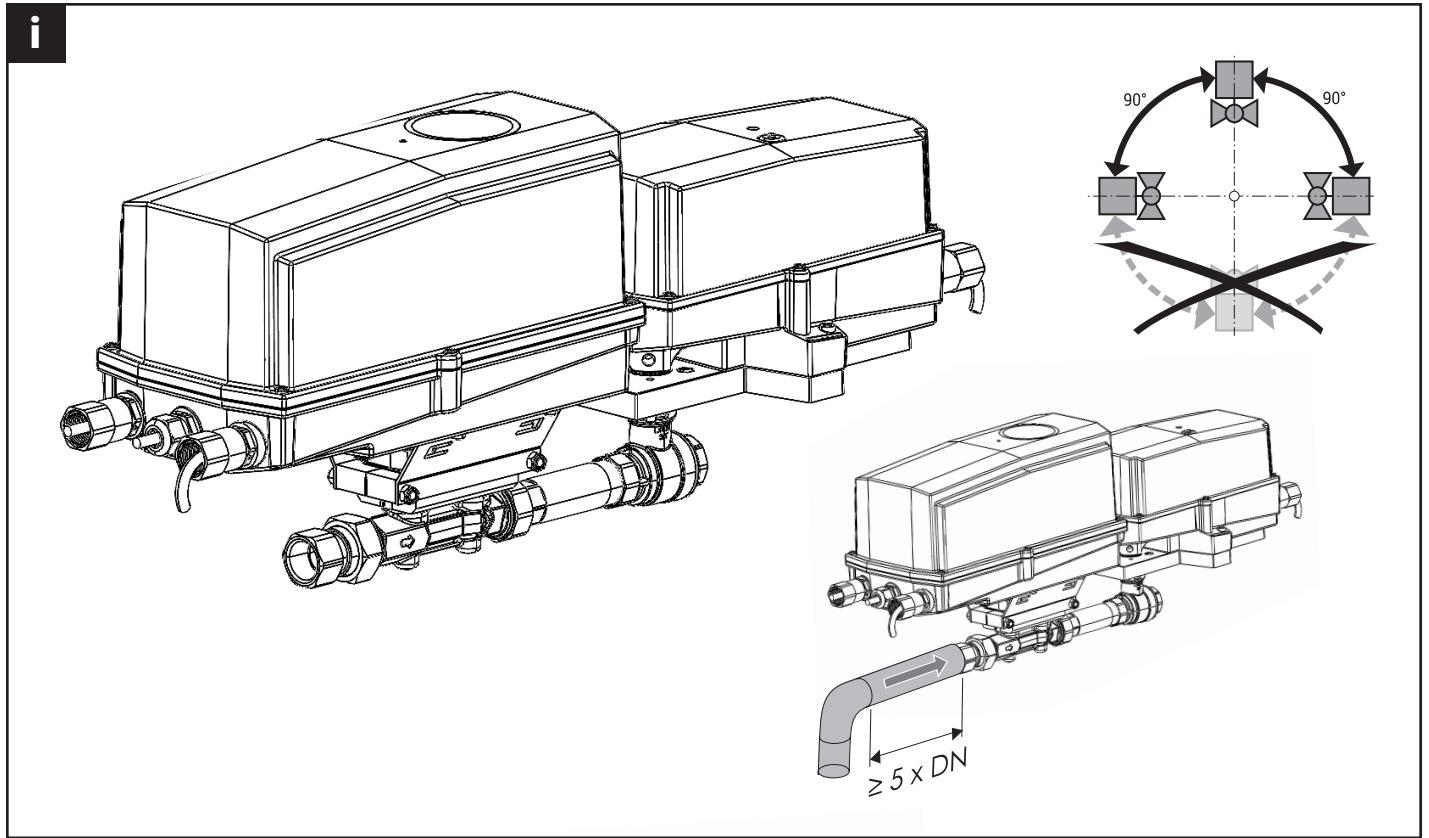
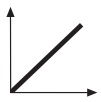


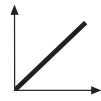
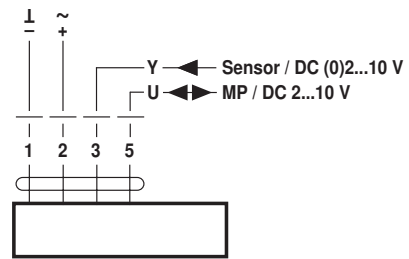
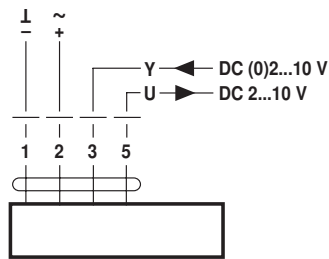
# EPIV 4 NEMA 4



# EPIV 4 NEMA 4

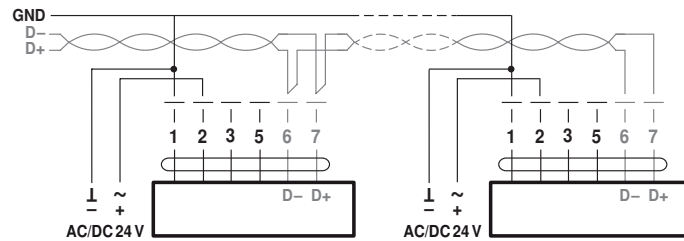


AC 24 V / DC 24 V

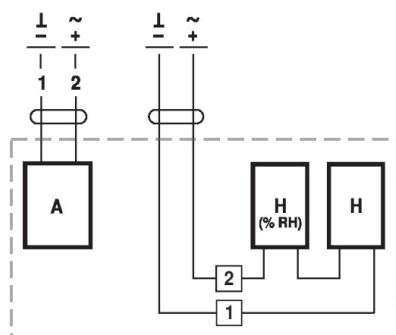
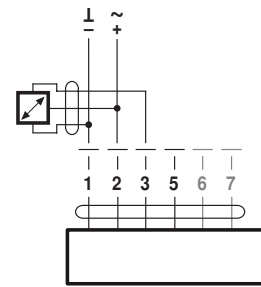
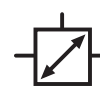
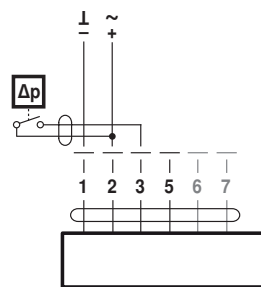
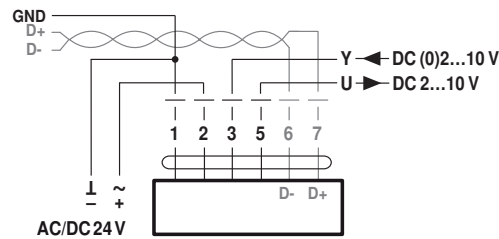


AC 24 V / DC 24 V

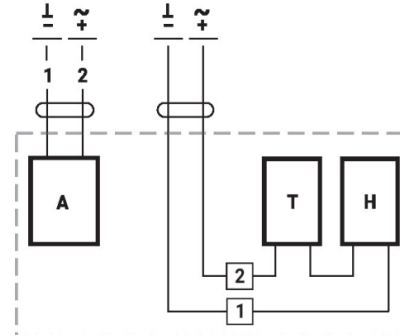
BACnet MS/TP / Modbus RTU



BACnet MS/TP / Modbus RTU / analog



A = Actuator  
H [% RH] = Humidistat  
H = Heating



A = Actuator  
T [°C] = Thermostat  
H = Heating