

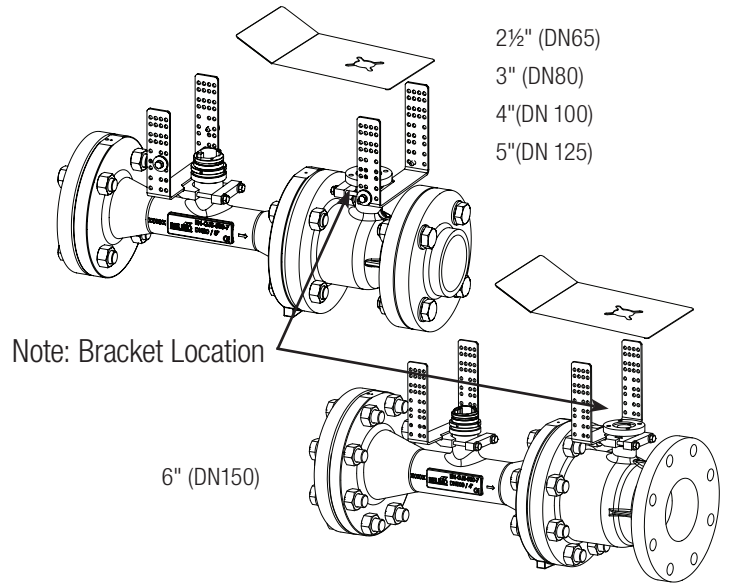
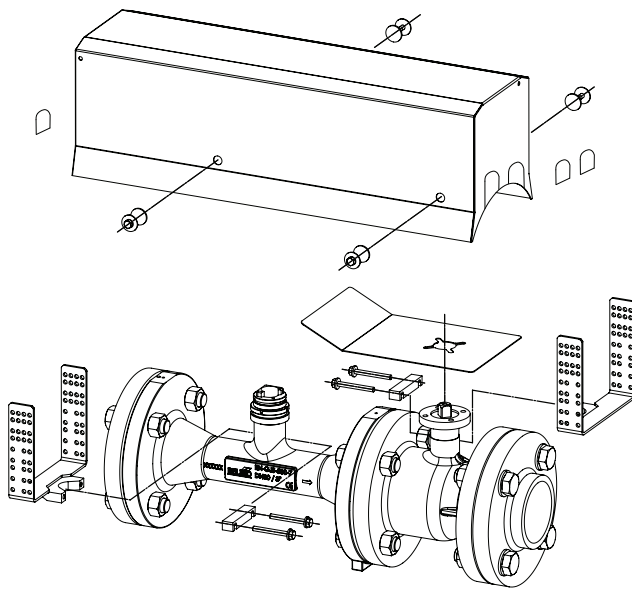
# Weather Shield

## Electronic Pressure Independent Valve (ePIV) and Belimo Energy Valve™

### Technical Data

Shield	low carbon steel, 1008 powder coating, RAL 2008
Membrane	PVC

### Installation Instructions



- x 2
- x 2
- x 1
- x 1
- x 4
- x 3

