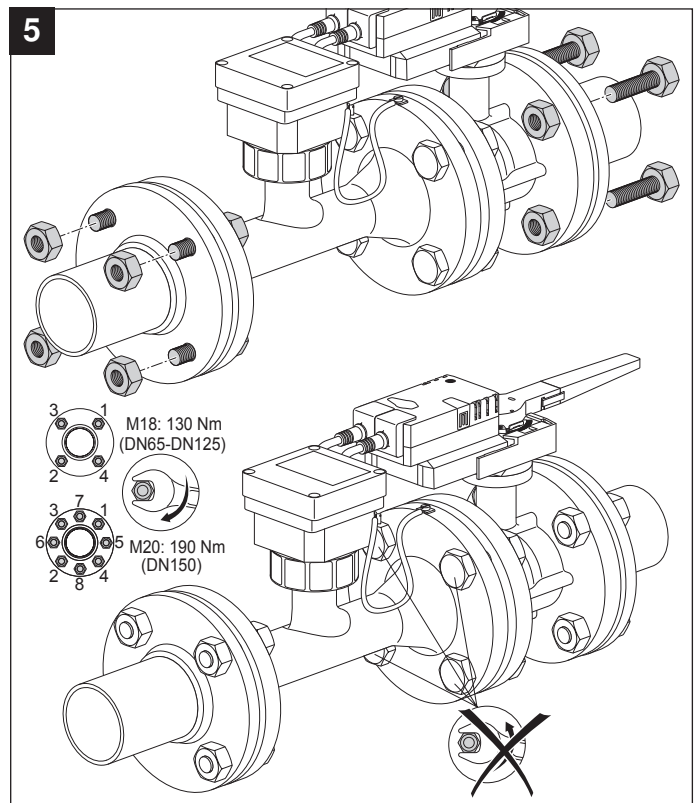
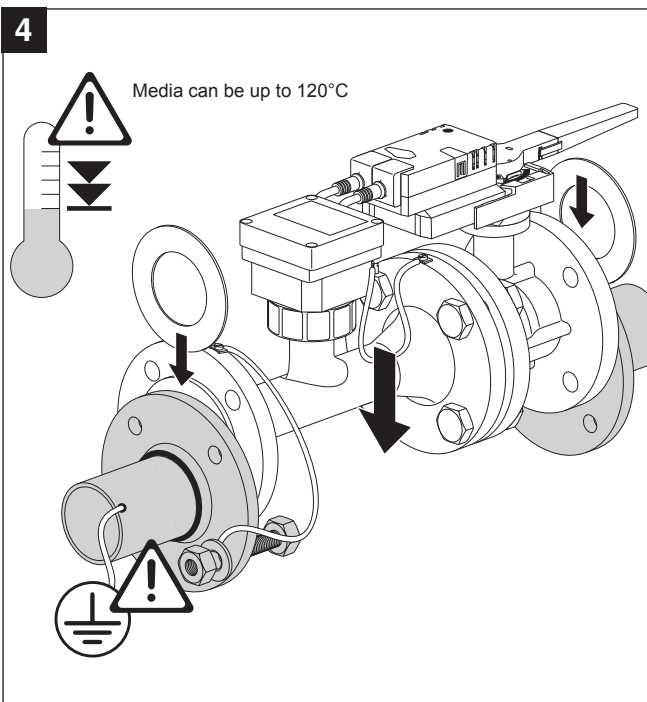
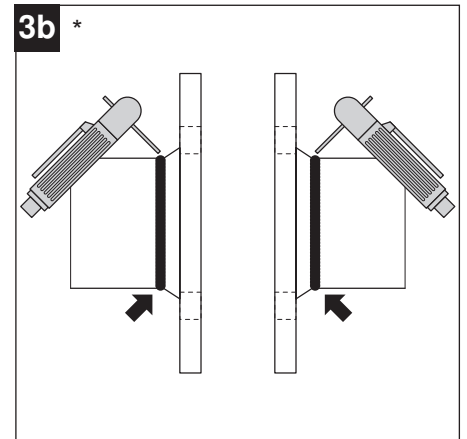
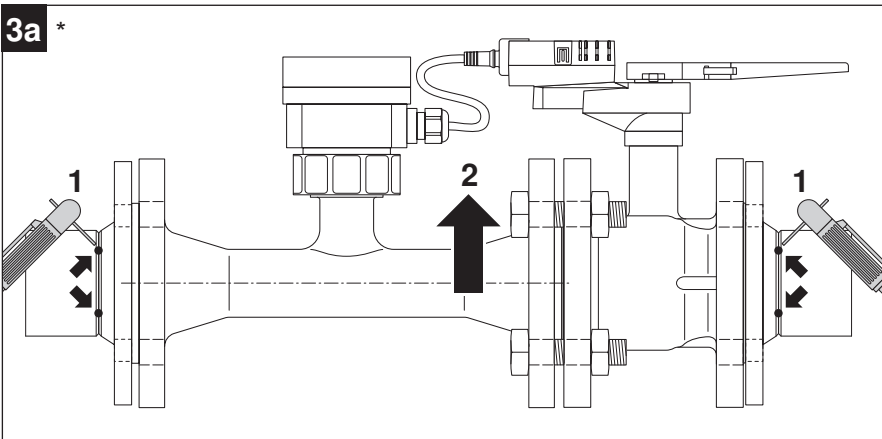
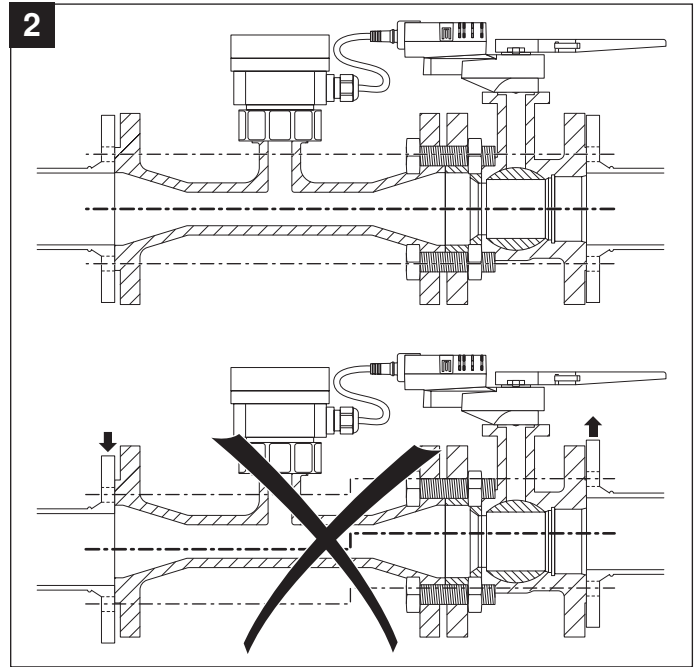
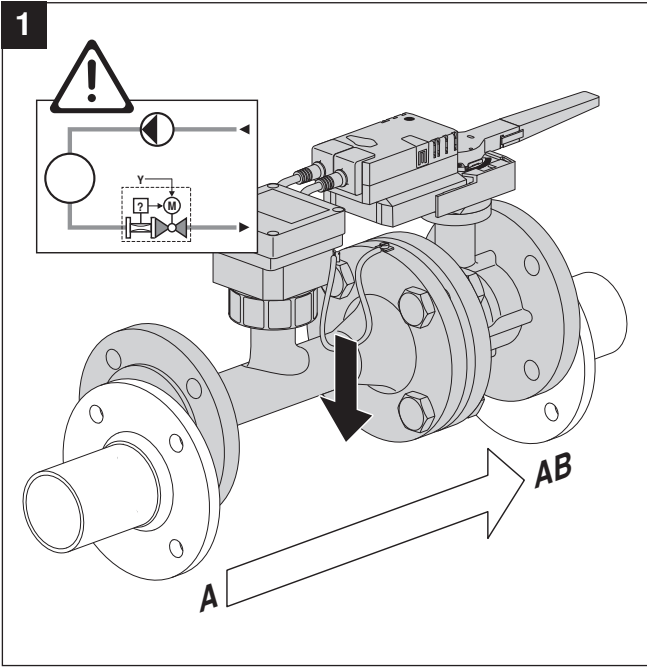
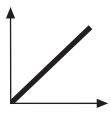
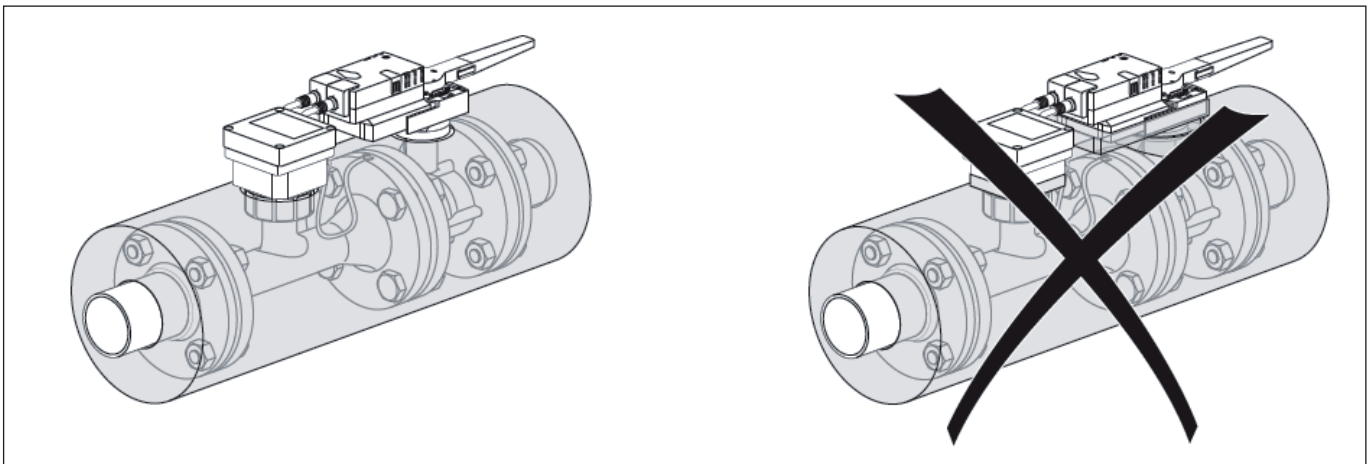
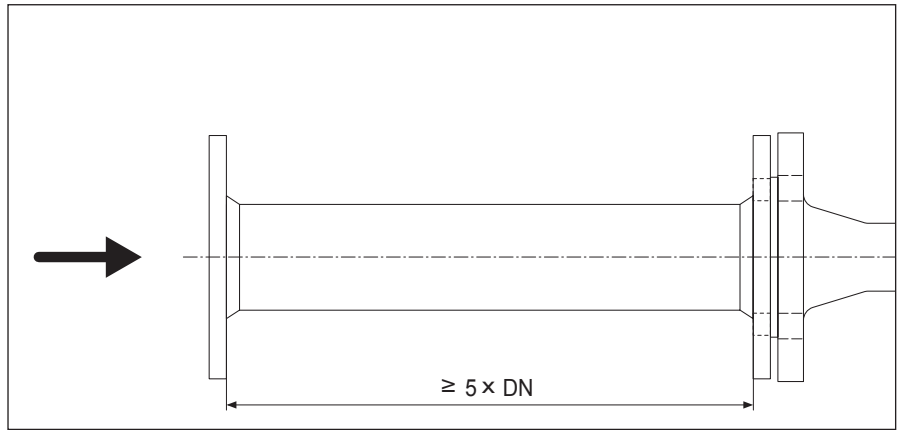
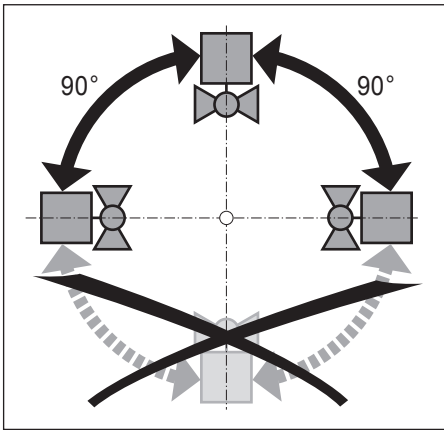


71187-00001.B



* : Welding machine can be used if the flanges of the piping need to be mounted in this way directly at the job site when install the EPIV system.



AC 24V / DC 24V

