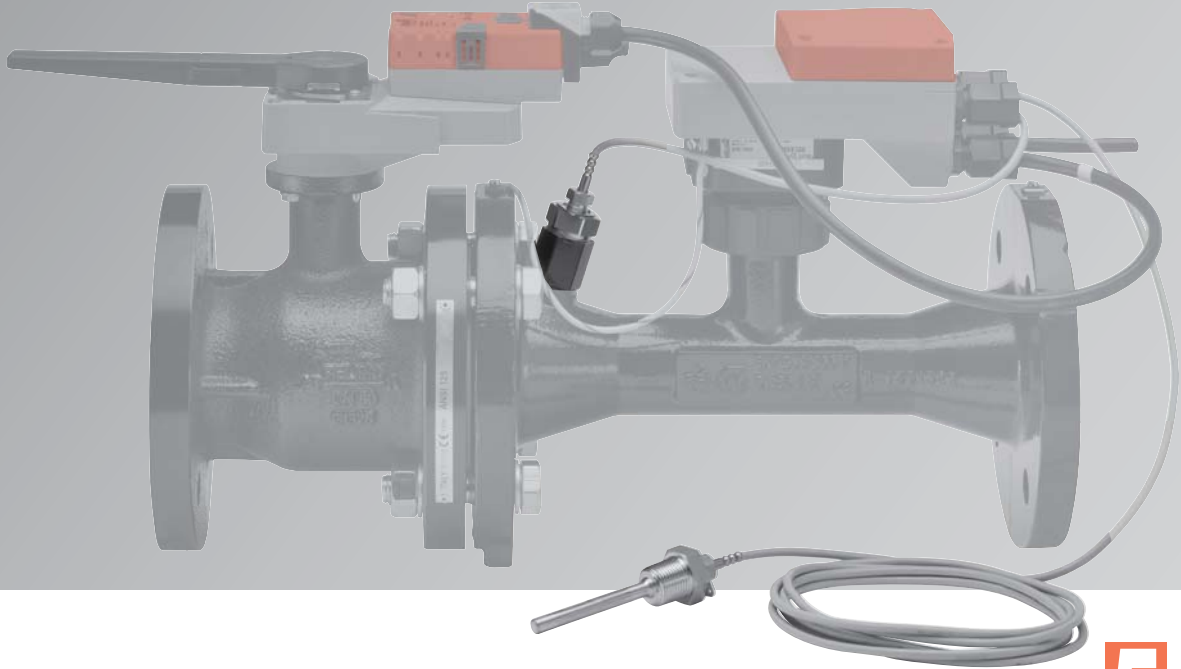


Belimo Energy Valve™ Temperature Sensors



Temperature Sensors

- EV-RT-15
Remote Temperature Sensor 4.9 ft. (1.5 meters)
- EV-RT-30
Remote Temperature Sensor 9.8 ft. (3 meters)
- EV-RT-50
Remote Temperature Sensor 16.4 ft. (5 meters)
- EV-RT-100
Remote Temperature Sensor 32.8 ft. (10 meters)

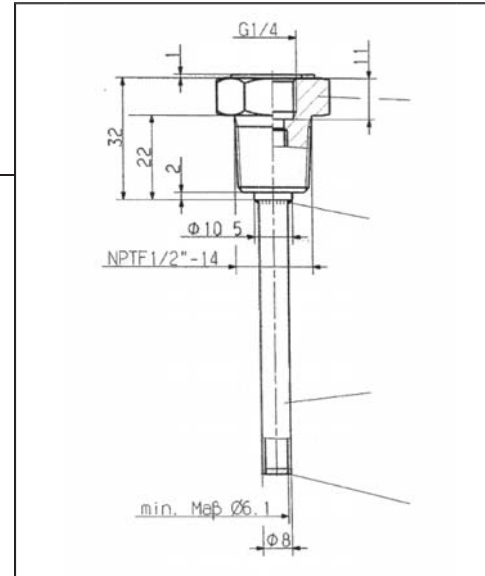
Sensor Packaging

The replacement temperature sensor package consists of two sensors, one for mounting in the Energy Valve body and one remote temperature sensor along with a thermo well.

Remote Sensor Installation:

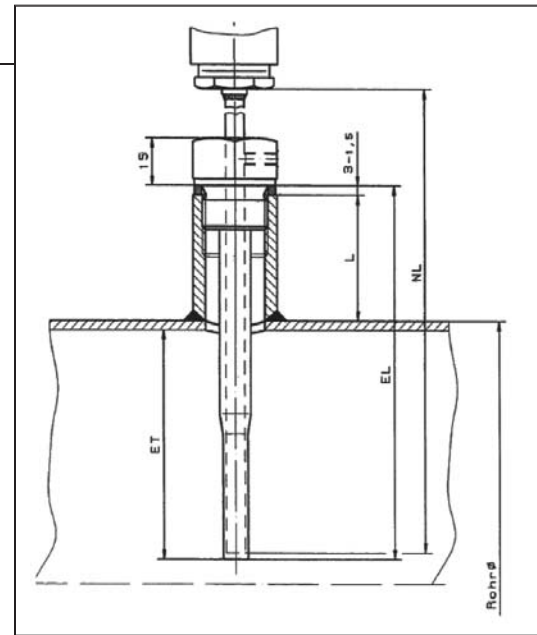
A thermo well is provided with the remote temperature sensor. The well should be installed on the pipe prior installing the remote temperature sensor. The remote temperature sensor should be installed on the opposite pipe entering the coil from where the Energy Valve is installed. A 1/2" NPT female union should be welded on the pipe to allow the installation of the thermo well.

The Energy Valve is equipped with a 32 ft. (10m) cable for the remote sensor. If a shorter remote sensor cable is required, the cable is also available in the following sizes: 4.9 ft. (1.5m), 9.8 ft. (3m) or 16.4 ft (5m). Please order the appropriate size for the application.



Dimensions:

IN	DN [mm]	EL	ET	L max.
2 1/2"	65	3.66" [93]	2.36" [60]	1.18" [30]
3"	80	3.66" [93]	2.36" [60]	1.18" [30]
4"	100	3.66" [93]	2.36" [60]	1.18" [30]
5"	125	3.66" [93]	2.36" [60]	1.18" [30]
6"	150	3.66" [93]	2.36" [60]	1.18" [30]



How to build the remote well

Belimo worldwide: www.belimo.com

BELIMO Americas

USA Locations, 43 Old Ridgebury Road, Danbury, CT 06810
Tel. 800-543-9038, Fax 800-228-8283, marketing@us.belimo.com

1049 Fortunato Loop, Sparks, NV 89436
Tel. 800-987-9042, Fax 800-987-8875, marketing@us.belimo.com

Canada Locations, 5845 Kennedy Road, Mississauga, Ontario L4Z 2G3
Tel. 866-805-7089, Fax 905-712-3124, marketing@us.belimo.com

Latin America and the Caribbean Customer Service
Tel. 203-791-8396, Fax 203-791-9139, marketing@us.belimo.com

Belimo Brasil Comércio de Automação Ltda.
Tel: 55 11 3643-5656, Fax: 55 11 3643 5657, atendimentoaocliente@br.belimo.com.