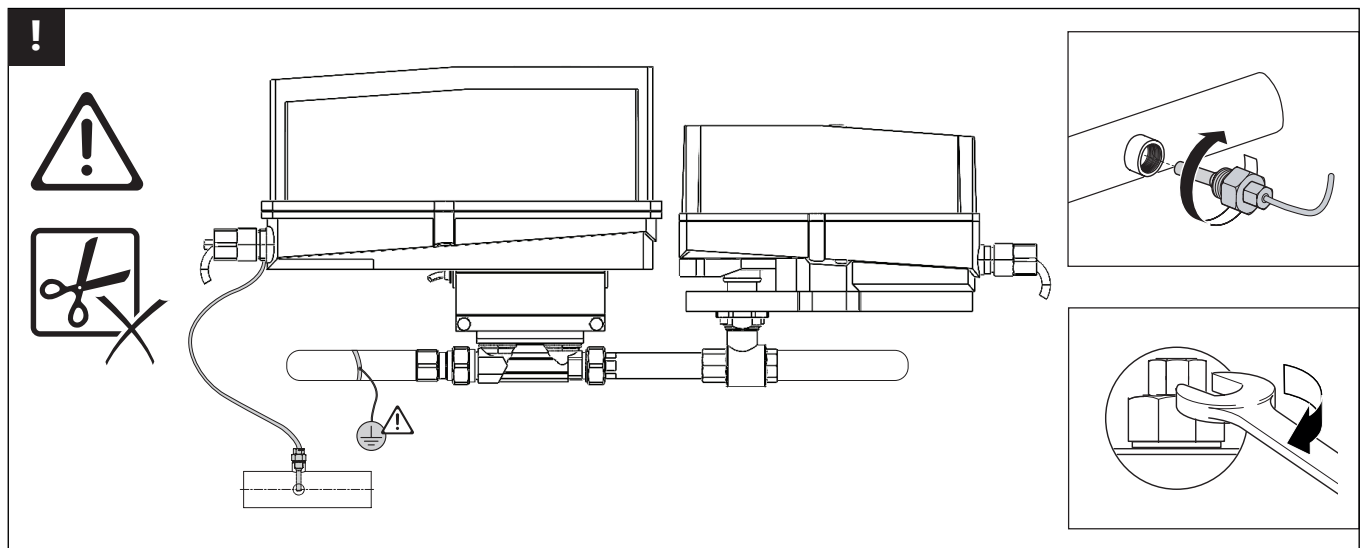
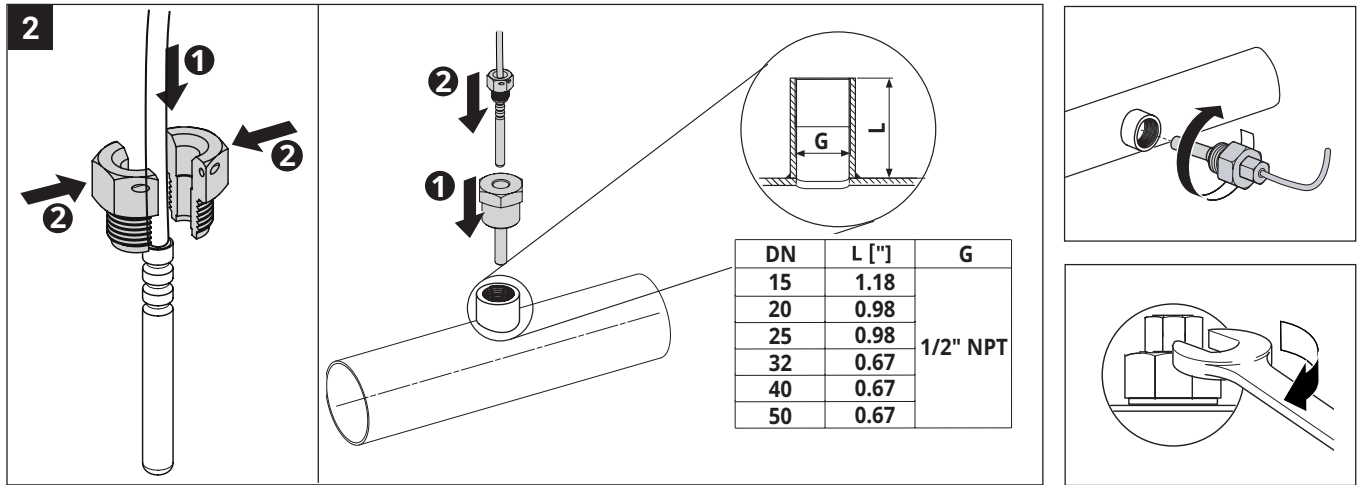
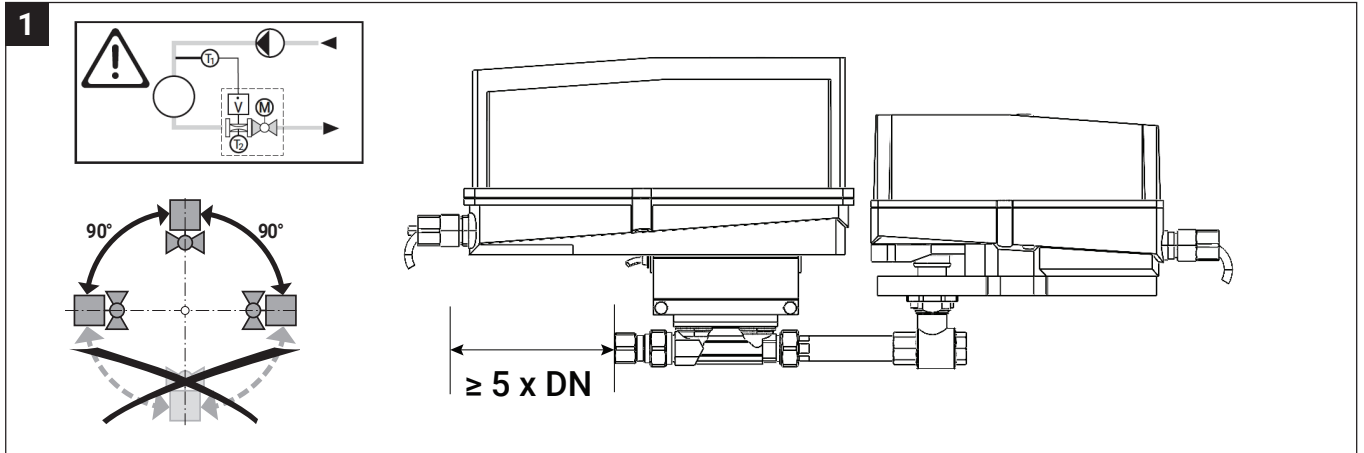
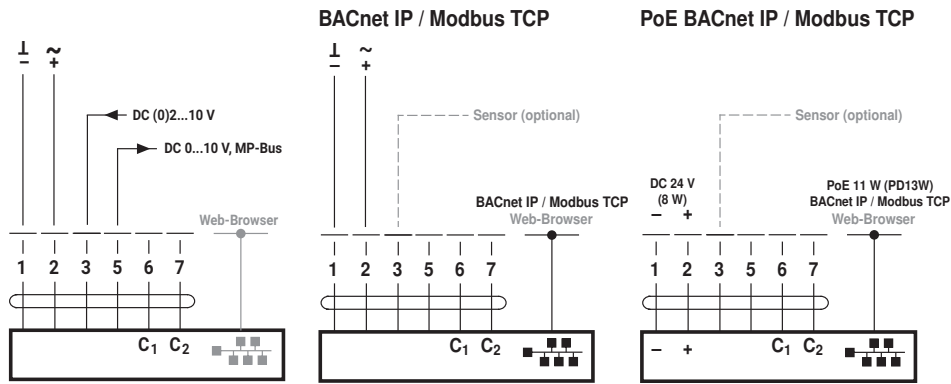


# NEMA 4 Energy Valve

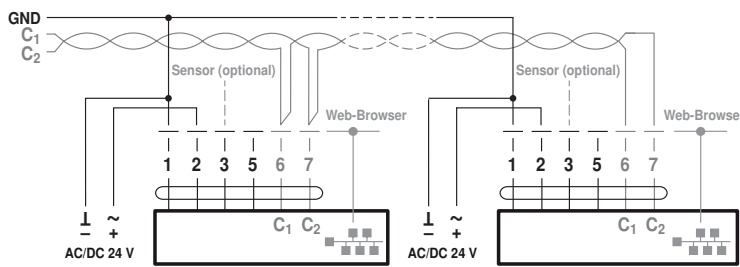


# NEMA 4 Energy Valve

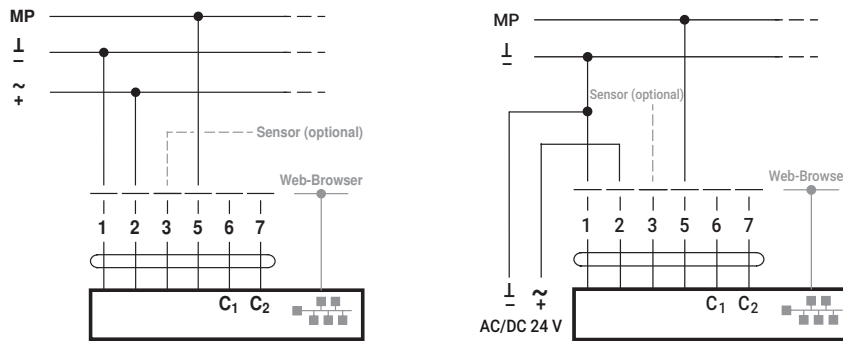
- 1 = GND
- 2 = AC/DC 24 V
- 3 = Sensor
- 5 = MP, DC 0...10 V
- 6 = C1 = D- = A
- 7 = C2 = D+ = B



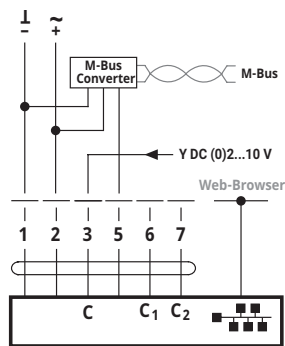
## BACnet MSTP / Modbus RTU



## MP-Bus



## M-Bus



## Sensor (optional)

